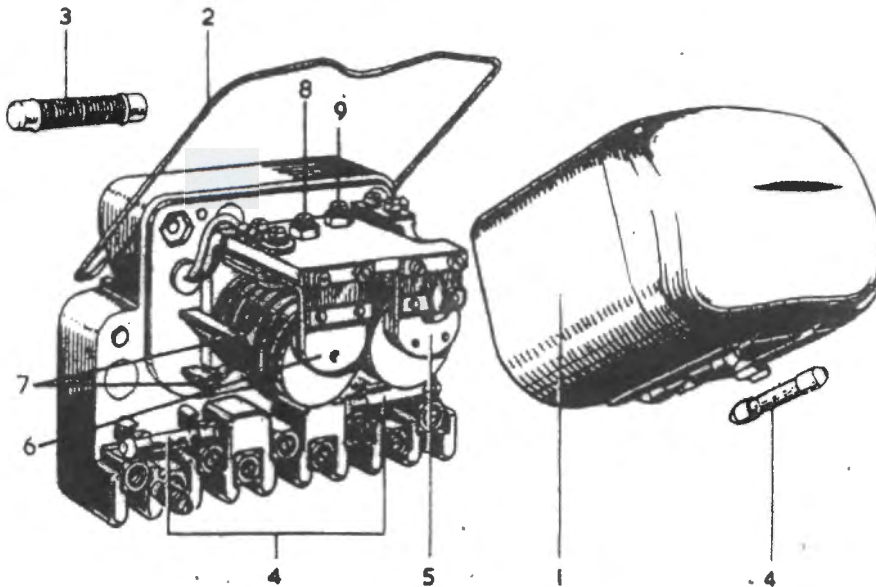
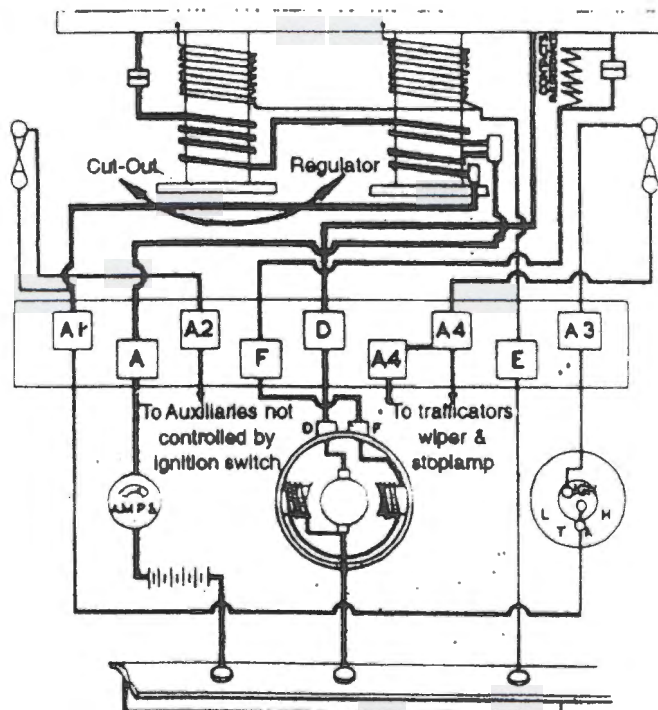


RF95 Control Box



- | | |
|---------------------|----------------------------|
| 1. Cover | 6. Regulator Armature |
| 2. Cover Clip | 7. Split Series Winding |
| 3. Resistor | 8. Reg. Adjusting Screw |
| 4. Fuses | 9. Cut Out Adjusting Screw |
| 5. Cut Out Armature | |

Diagrammatic Layout



Regulator Setting at 68°F	15.8 – 16.4 volts
Cut Out: Cut in voltage	12.7 – 13.3 volts
Cut Out: Drop-off voltage	9.0 – 10.0 volts