

Table Of Contents

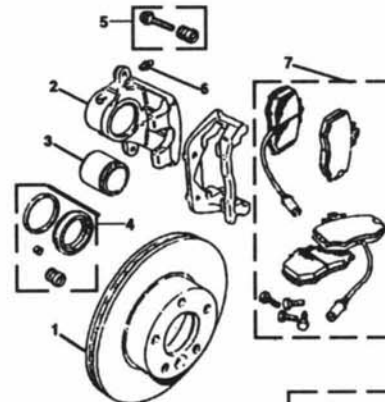
Front and Rear Calipers, Rotors.....	1
Brake Controls.....	2-4
Cooling System.....	5
Heating, A/C.....	6-7
Engine.....	8-12
Front Suspension, Hubs.....	13
Rear Suspension, Hubs.....	14-15
Steering.....	16
Drivetrain.....	17-19
Electrical.....	20-26
Body.....	27-29
Interior Trim.....	30
Fuel, Exhaust, Emissions.....	31-32
Accessories/Car Care Products.....	33-34



XJ40 Front & Rear Calipers & Rotors

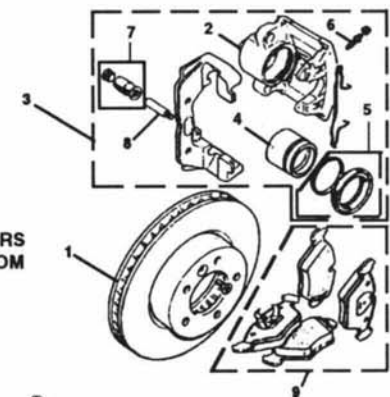
1988-1989 (TO VIN #594575) FRONT

#	PART #	DESCRIPTION	QTY.	REQ.
1.	CAC-8456	BRAKE ROTOR	2	
2.	JLM-783	RH CALIPER ASSEMBLY	1	
2A.	JLM-782	LH CALIPER ASSEMBLY	1	
3.	JLM-785	PISTON	2	
4.	JLM-788	CALIPERS SEAL KIT (BOTH)	1	
5.	JLM-789	GUIDE PIN KIT (BOTH)	1	
6.	RTC-1115	BLEEDER SCREW	2	
7.	JLM-577	PAD SET (TO VIN #533360)	1	
7A.	JLM-1281	PAD SET (VIN #533361 - ON)	1	



1990-1994 (TO VIN #594575) FRONT

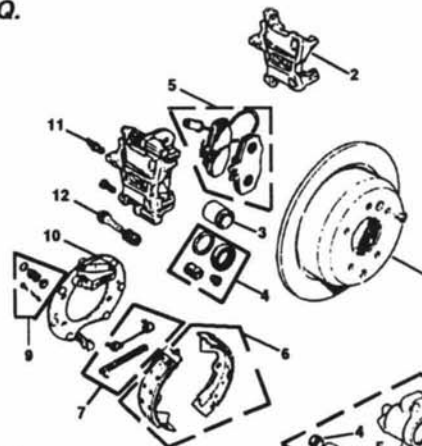
#	PART #	DESCRIPTION	QTY.	REQ.
1.	JLM-1826	BRAKE ROTOR	2	
2.	JLM-1827	NEW RH CALIPER ASSEMBLY	1	
2A.	JLM-1827-R	REBUILT RH CALIPER ASSEMBLY	1	
2B.	JLM-1828	NEW LH CALIPER ASSEMBLY	1	
2C.	JLM-1828-R	REBUILT LH CALIPER ASSEMBLY	1	
3.	JLM-1827-1	COMPLETE RH CALIPER (TAKE-OFF)	1	
3A.	JLM-1828-1	COMPLETE LH CALIPER (TAKE-OFF)	1	
4.	JLM-2191-P	PISTON	2	
5.	JLM-2191	CALIPER SEAL KIT	1	
6.	JLM-2192	BLEEDER SCREW	2	
7.	JLM-2194	BUSHING KIT	1	
8.	JLM-2213	GUIDE PIN	2	
9.	JLM-1829	PAD SET	1	



NOTE: (TAKE-OFF) CALIPERS HAVE BEEN REMOVED FROM NEW CARS THAT WERE UPGRADED TO "SPORT" SPECIFICATION BRAKES — INCLUDING PADS.

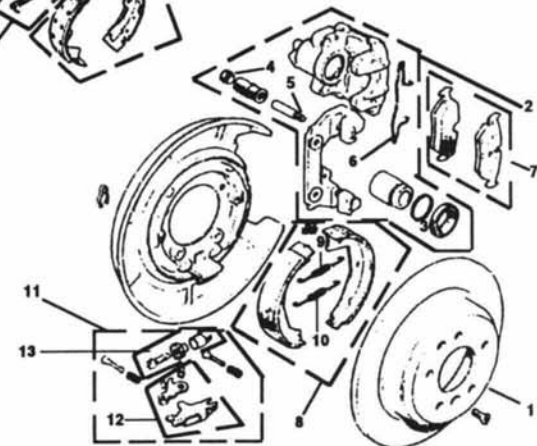
1988-1989 (TO VIN #594575) REAR

#	PART #	DESCRIPTION	QTY.	REQ.
1.	JLM-1450	BRAKE ROTOR	2	
2.	JLM-792R	RH CALIPER ASSEMBLY	1	
2A.	JLM-791	LH CALIPER ASSEMBLY	1	
3.	JLM-794	PISTON	1	
4.	JLM-795	CALIPER SEAL KIT	1	
5.	JLM-603	PAD SET (TO VIN #533360)	1	
5A.	JLM-1282	PAD SET (VIN #533361 - ON)	1	
6.	JLM-800	SHOE SET	1	
7.	JLM-801	RETURN SPRING KIT	1	
8.	JLM-803	ADJUSTER	2	
9.	JLM-799	SHOE HOLD-DOWN KIT	1	
10.	JLM-802	EXPANDER KIT	2	
11.	RTC-1115	BLEEDER SCREW	2	
12.	JLM-796	GUIDE PIN KIT	1	



1990-1994 REAR

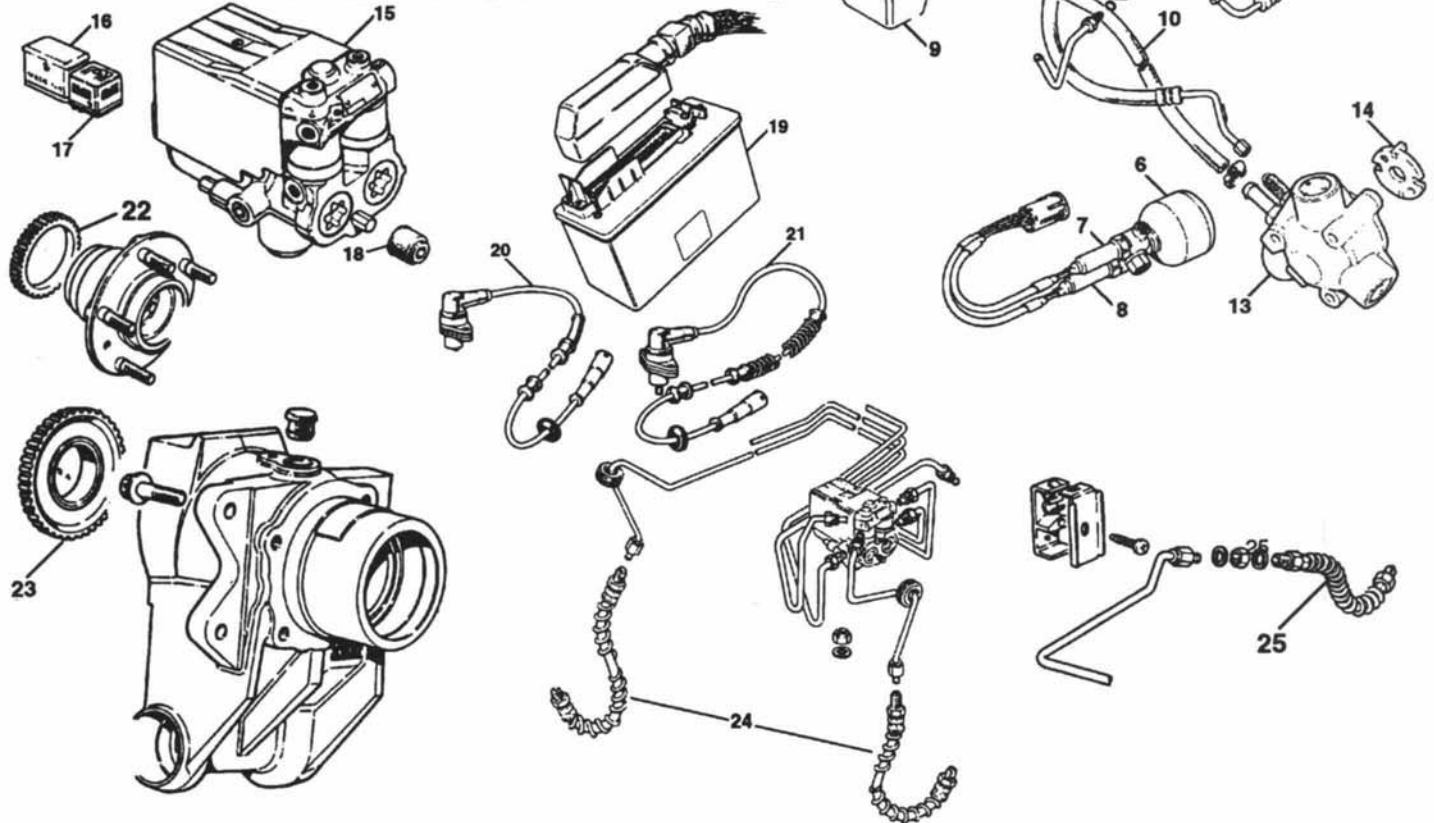
#	PART #	DESCRIPTION	QTY.	REQ.
1.	JLM-1830	BRAKE ROTOR	2	
2.	JLM-1832	LH CALIPER ASSEMBLY	1	
2A.	JLM-1831	RH CALIPER ASSEMBLY	1	
3.	JLM-2200	CALIPER SEAL KIT	1	
4.	JLM-2194	BUSHING KIT	2	
5.	JLM-2249	GUIDE PIN	2	
6.	JLM-2196	HOUSING CLIP	2	
7.	JLM-1833	PAD SET	1	
8.	JLM-2209	SHOE SET	1	
9.	JLM-2204	TENSION SPRING	2	
10.	JLM-2203	TENSION SPRING	2	
11.	JLM-2250	PARKING BRAKE REPAIR KIT	1	
12.	JLM-2206	BRAKE LEVER ASSEMBLY	2	
13.	JLM-2201	ADJUSTER ASSEMBLY	2	



XJ40 Brake Controls

1988 - 1989 (TO VIN #594575)

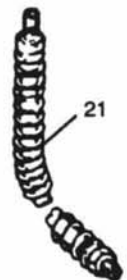
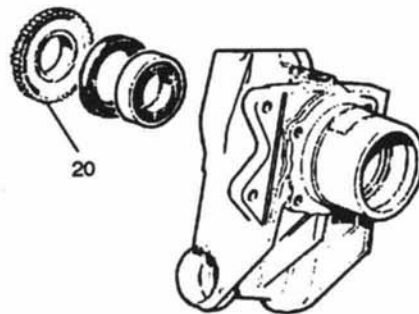
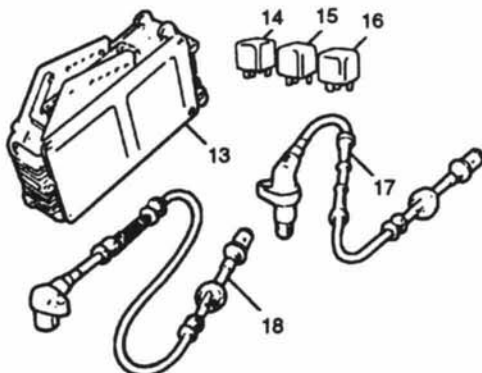
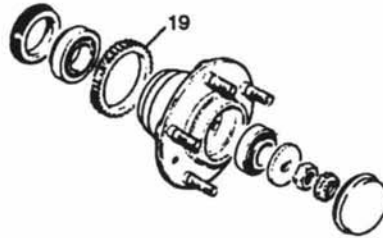
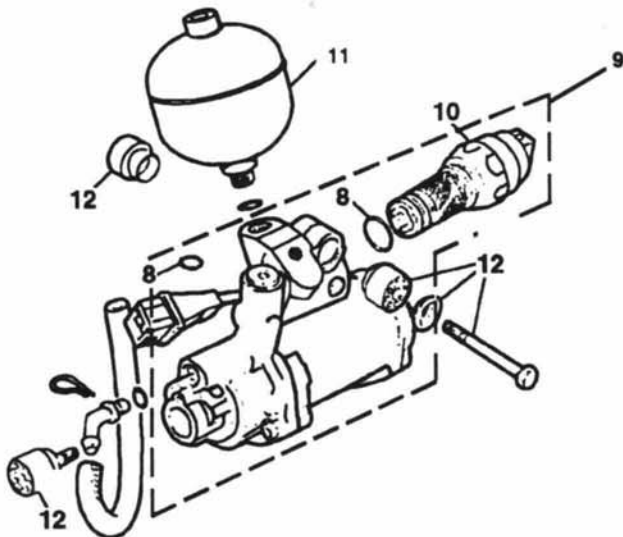
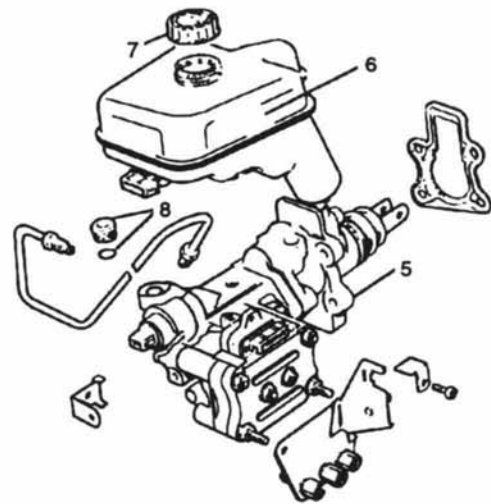
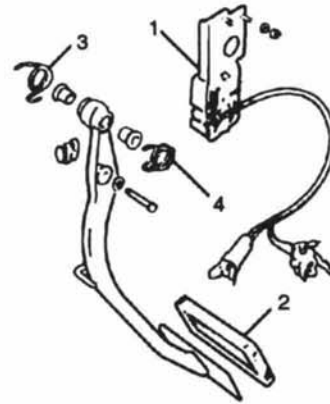
#	PART #	DESCRIPTION	QTY. REQ.
1.	DBC-2960	BRAKE.CRUISE CONTROL SWITCH	1
2.	C-21515	PEDAL PAD	1
3.	CBC-5255	PEDAL RETURN SPRING	1
4.	74066521	MASTER CYLINDER ASSEMBLY	1
5.	JLM-804	SERVO (BOOSTER)	1
6.	CBC-1779	ACCUMULATOR	1
7.	JLM-1563	LOW PRESSURE WARN. SWITCH	1
8.	JLM-1562	CHARGING SWITCH	1
9.	CBC-6952	FLUID RESERVOIR	1
10.	CBC-1634	RESERVOIR TO PUMP HOSE	1
11.	CBC-8673	PUMP TO SOLENOID BLOCK HOSE	1
12.	CBC-5848	SOLENOID BLOCK ASSEMBLY	1
NOTE: Solenoid parts shown in suspension section			
13.	CBC-5918	HYDRAULIC PUMP	1
14.	EAC-6778	PUMP DRIVE DOG	1
	JLM-9886	CASTROL HYD. MINERAL OIL - 500 ML	A/R
NOTE: Capacity of reservoir is 1.5 liters.			
15.	CAC-8274	MODULATOR - ABS	1
16.	JLM-1314	PUMP RELAY	1
17.	JLM-1315	VALVE RELAY	1
18.	CBC-2694	MOUNTING RUBBER	3
19.	DBC-1545	CONTROL UNIT - ABS	1
20.	DBC-1546	SENSOR - RH FRONT	1
20A.	DBC-1557	SENSOR - LH FRONT	1
21.	DBC-3647	SENSOR - RH OR LH REAR	2
22.	CBC-4704	SENSOR ROTOR - FRONT	2
23.	CBC-4705	SENSOR ROTOR - REAR 2	2
24.	CAC-8196	BRAKE HOSE - FRONT	2
25.	CAC-8199	BRAKE HOSE - REAR	2



XJ40 Brake Controls

1990 - 1992 (VIN #594576 TO 667828) - TEVES SYSTEM

#	PART #	DESCRIPTION	QTY. REQ.
1.	DBC-5870	BRAKE/CRUISE CONTROL SWITCH	1
2.	C-21515	PEDAL PAD	1
3.	CBC-5202	RETURN SPRING	1
4.	CBC-7356	RETURN SPRING	1
5.	JLM-1883	ACTUATOR (MASTER CYLINDER)	1
6.	JLM-1890	RESERVOIR ASSEMBLY	1
7.	JLM-1469	RESERVOIR FILLER CAP	1
8.	JLM-1477	O-RING SEAL KIT (INC. ALL PARTS # 8)	1
9.	JLM-1885	MOTOR/PUMP/WARNING SWITCH ASSY.	1
10.	JLM-1908	PRESSURE WARNING SWITCH	1
11.	JLM-1907	ACCUMULATOR	1
12.	JLM-1464	INSULATOR KIT (INC. ALL PARTS # 12)	1
13.	DBC-5422	CONTROL UNIT - ABS (ECU)	1
14.	DBC-2483	CONTROL UNIT RELAY	1
15.	DAC-7151	MAIN ABS RELAY	1
16.	DAC-4506	PUMP RELAY	1
17.	DBC-5370	SPEED SENSOR - RH FRONT	1
17A.	DBC-5371	SPEED SENSOR - LH FRONT	1
18.	DBC-6246	SPEED SENSOR - RH REAR	1
18A.	DBC-6247	SPEED SENSOR - LH REAR	1
19.	CBC-4704	SPEED SENSOR ROTOR - FRONT	2
20.	CBC-4705	SPEED SENSOR ROTOR - REAR	2
21.	CBC-8209	BRAKE HOSE - FRONT	2
22.	CBC-7640	BRAKE HOSE - REAR	2

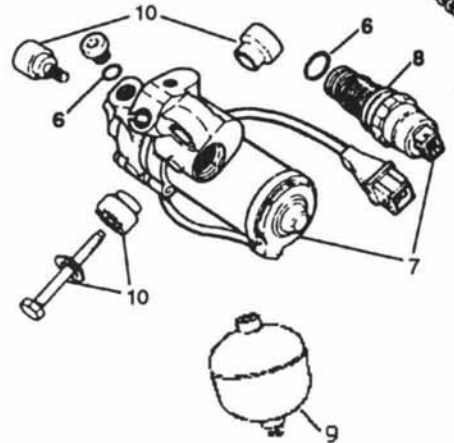
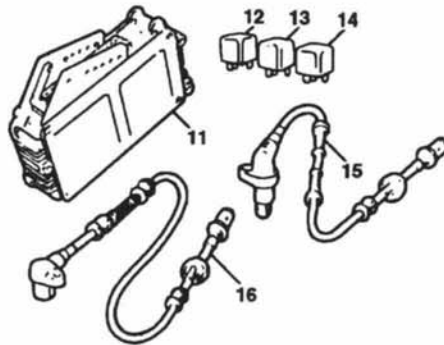
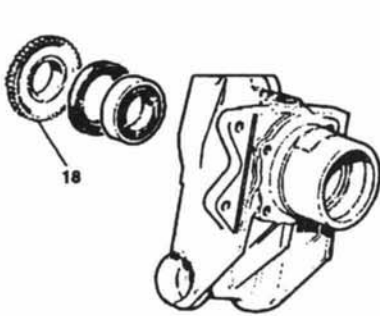
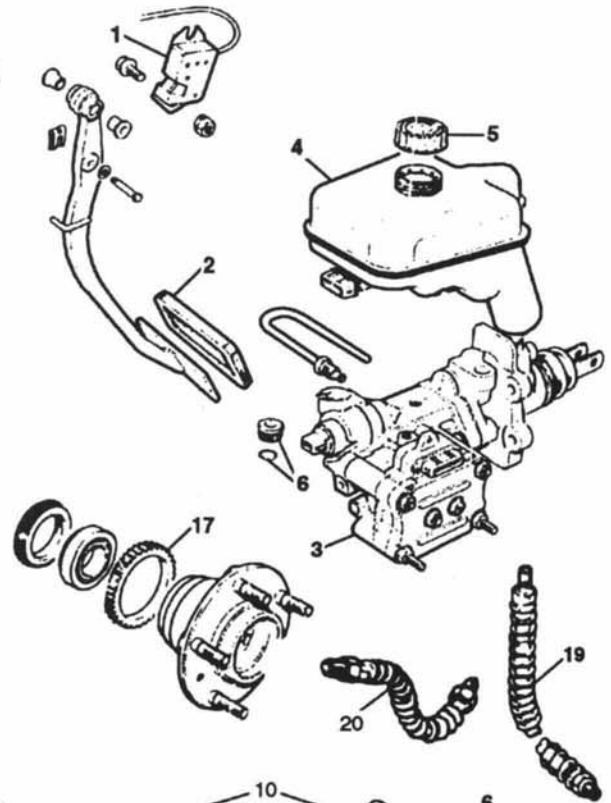


ASK US ABOUT OUR USED PARTS PROGRAM

XJ40 Brake Controls

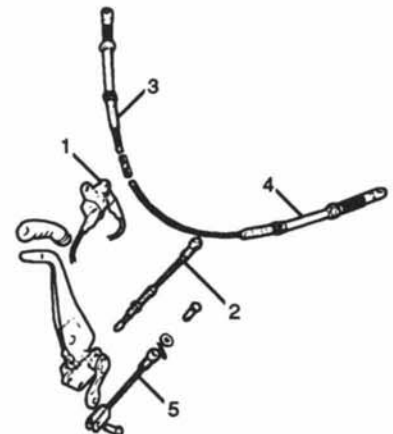
1993 - 1994 (VIN #667829 ON)

#	PART #	DESCRIPTION	QTY. REQ.
1.	DBC-10800	BRAKE SWITCH	1
2.	C-21515	PEDAL PAD	1
3.	JLM-1883	ACTUATOR (MASTER CYLINDER)	1
4.	JLM-1890	RESERVOIR ASSEMBLY	1
5.	JLM-1469	RESERVOIR FILLER CAP	1
6.	JLM-1477	SEAL KIT (ALL PARTS #6)	1
7.	JLM-11253	MOTOR AND PUMP ASSEMBLY	1
8.	JLM-1908	PRESSURE WARNING SWITCH	1
9.	JLM-1907	ACCUMULATOR	1
10.	JLM-1464	INSULATOR KIT (ALL PARTS #10)	1
11.	DBC-10666	CONTROL UNIT - ABS (ECU)	1
12.	DBC-2483	CONTROL UNIT RELAY	1
13.	DAC-7151	MAIN ABS RELAY	1
14.	DAC-4506	PUMP RELAY	1
15.	DBC-5370	SPEED SENSOR - RH FRONT	1
15A.	DBC-5371	SPEED SENSOR - LH FRONT	1
16.	CBC-4705	SPEED SENSOR - RH REAR	1
16A.	DBC-11435	SPEED SENSOR - LH REAR	1
17.	CBC-4704	SPEED SENSOR ROTOR - FRONT	2
18.	CBC-4705	SPEED SENSOR ROTOR - REAR	2
19.	CBC-8209	BRAKE HOSE - FRONT	2
20.	CBC-7640	BRAKE HOSE REAR (TO VIN #682199)	2
20A.	CCC-7228	BRAKE HOSE REAR (VIN #682200 ON)	2



HANDBRAKE CONTROLS

#	PART #	DESCRIPTION	QTY. REQ.
1.	ADU-2888-J	WARNING SWITCH	1
2.	CAC-8602-1	INTERMEDIATE CABLE	1
3.	CAC-8601-1	RH REAR CABLE	1
4.	CAC-8601-2	LH REAR CABLE	1
5.	CBC-6465	FRONT CABLE	1



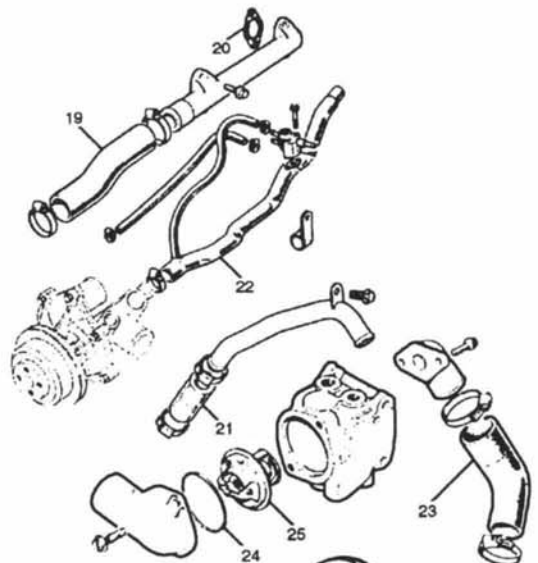
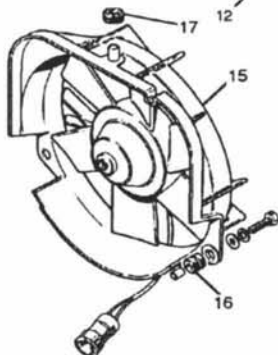
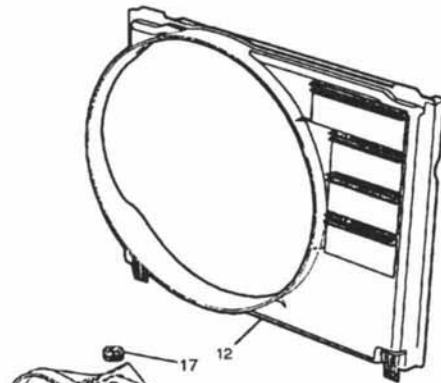
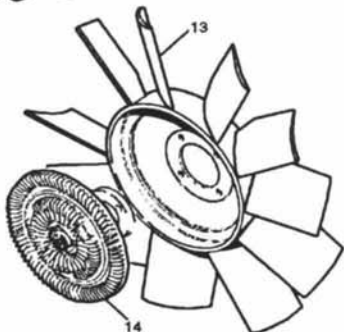
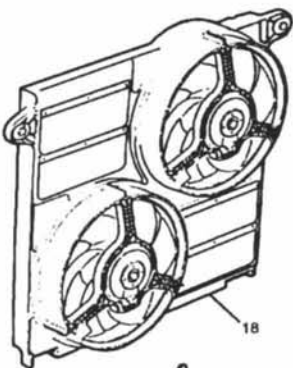
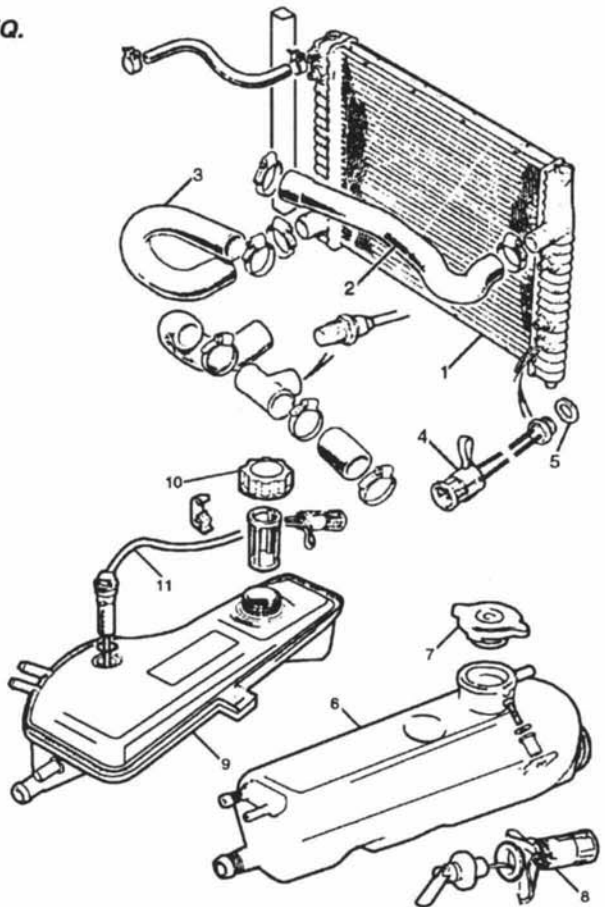
ASK US ABOUT OUR USED PARTS PROGRAM

XJ40 Cooling System

RADIATOR, HOSES, FANS

#	PART #	DESCRIPTION	QTY. REQ.
1.	CBC-1473	RADIATOR (TO VIN #629285)	1
1A.	CBC-8645	RADIATOR (VIN #629286 - 687248)(MID 93)	1
1B.	JLM-1340	DRAIN PLUG	1
2.	CBC-1582	HOSE, TOP	1
3.	CBC-6440	HOSE, LOWER	1
4.	DBC-2145	THERMAL SWITCH (TO VIN #629285)	1
4A.	DBC-5564	THERMAL SWITCH (VIN #629286 '93 ON)	1
5.	CAC-9294	GASKET	1
6.	JLM-1433	HEADER TANK (TO VIN #594575)	1
7.	JLM-9652	HEADER TANK CAP	1
8.	DBC-2111	LOW COOLANT SENSOR	1
9.	CCC-4914	HEADER TANK (VIN #594576 ON)	1
10.	MNA-4440-AA	HEADER TANK CAP (1991 to 1994)	1
11.	DBC-5546	LOW COOLANT SENSOR	1
12.	CBC-5606	RADIATOR FAN COWL (TO 1993)	1
13.	EAC-3263	FAN ASSEMBLY	1
14.	EAC-4751-A	FAN CLUTCH	1
15.	CAC-9702	AUXILLARY FAN ASSY. (TO VIN #629285)	1
15A.	CBC-8647	AUXILLARY FAN ASSY. (VIN #629286 ON)	1
16.	CBC-1448	MOUNTING BUSHING, LOWER	2
17.	CAC-6426	MOUNTING BUSHING, UPPER	1
18.	CCC-5489	RADIATOR FAN COWL + FANS (1993 ON)	1
19.	EAC-3454	HOSE, WATER PUMP TO WATER RAIL	1
20.	EAC-9745	WATER RAIL GASKET	2
21.	EAC-7343	HOSE, WATER PUMP TO PIPE	1
22.	EBC-3707	HOSE, HEATER RETURN, 4.0 LTR. (TO 1993)	1
22A.	EBC-4893	HOSE, HEATER RETURN (1993 ON)	1
23.	EAC-3803	HOSE, ELBOW TO WATER PUMP	1
24.	JLM-322	THERMOSTAT	1
25.	EAC-8999	O-RING	1
26.	CBC-4723	HOSE, ENG. TO HEATER VALVE (88 TO 92)	1
27.	CBC-2536	HEATER VALVE (TO 1993)	1
	CCC-4754	HEATER VALVE (1993 ON)	1

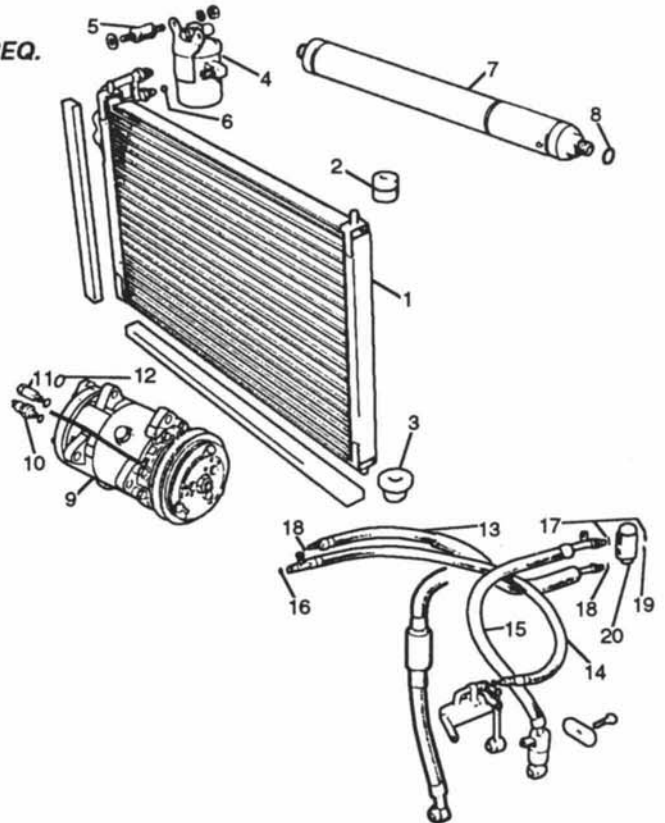
* INCLUDED IN GSK-128 HEAD GASKET SET



XJ40 Heating & A/C

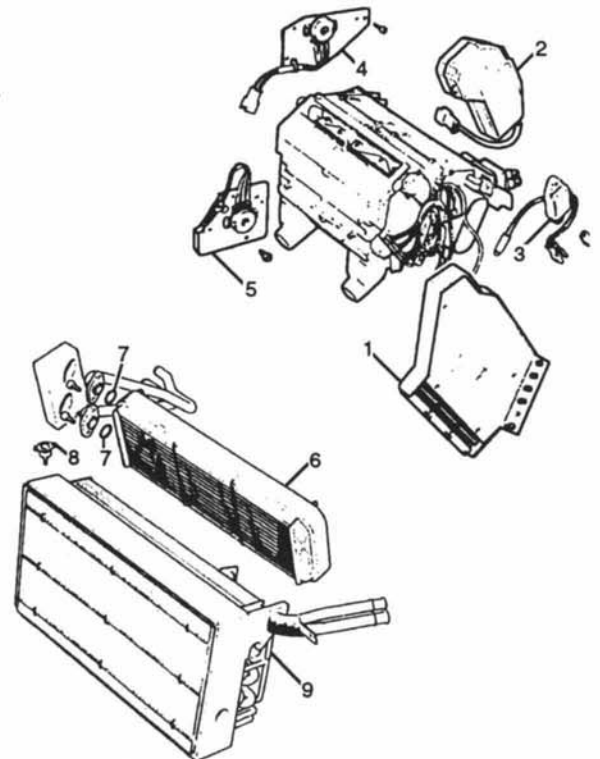
A/C COMPRESSOR, CONDENSOR, DRIER, HOSES

#	PART #	DESCRIPTION	QTY. REQ.
1.	CBC-8074	CONDENSER (TO 1993)	1
1A.	CBC-9822	CONDENSER (1993 ON)	1
2.	CBC-1448	MOUNTING GROMMET	2
3.	CBC-1576	MOUNTING GROMMET	2
4.	CBC-2319	DRIER (TO 1993)	1
5.	EAC-6805	MOUNTING	3
6.	KRC-1154	O-RING	1
7.	MMD-7410-AA	DRIER (1993 ON)	1
8.	KSG-108116	O-RING	1
9.	CBC-6522-R	COMPRESSOR, REB. (TO VIN 629285)	1
	CBC-6522-CR	CORE DEPOSIT REQUIRED	1
9A.	CCC-6535-R	COMPRESSOR, REB. (VIN 629286 ON)	1
	CCC-6535-CR	CORE DEPOSIT REQUIRED	1
10.	JLM-1260	LOW PRESSURE CUT-OFF SWITCH	1
11.	JLM-1261	PRESS. RELIEF VALVE (TO VIN 667828)	1
11A.	JLM-11099	PRESS. RELIEF VALVE (VIN 667829 ON)	1
12.	C-35864	O-RING	2
13.	CBC-4597	HOSE, DRYER TO EVAP. (TO 1990)	1
13A.	CCC-4558	HOSE, DRYER TO EVAP. (1990-1993)	1
14.	CCC-2846	HOSE, COND. TO COMP. (TO 1993)	1
15.	CBC-8022	HOSE, EVAP. TO COMP. (TO 1993)	1
16.	AGU-1386-J	O-RING	2
17.	KRC-1158	O-RING	2
18.	CAC-8968-2	O-RING	2
19.	KRC-1156	O-RING	1
20.	CAC-8169	EXPANSION VALVE	1



A/C AND HEATER UNIT CONTROLS

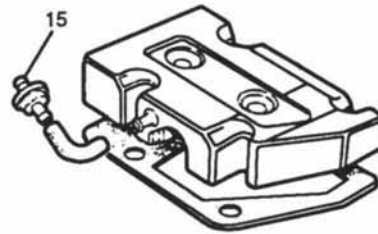
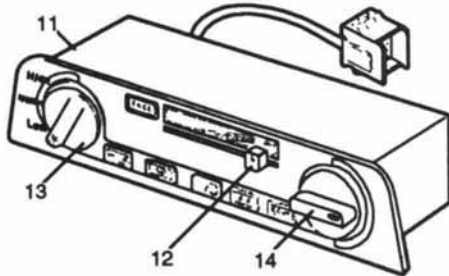
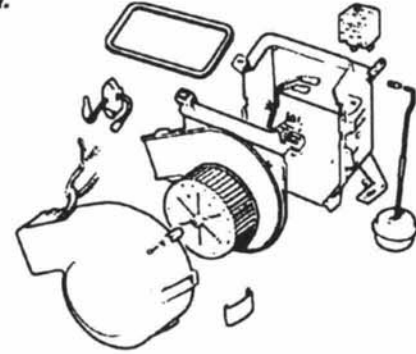
#	PART #	DESCRIPTION	QTY. REQ.
1.	JLM-752-R	ELEC. CONTROL MODULE, REB. (TO 93)	1
	JLM-752-CR	CORE DEPOSIT REQUIRED	1
2.	JLM-11556	SERVO VACUUM MOTOR (TO 1994)	2
2A.	JLM-11557	SERVO VACUUM MOTOR (1994)	2
3.	JLM-748	EVAPORATOR SENSOR (TO 1994)	1
3A.	JLM-11749	EVAPORATOR SENSOR (1994)	1
4.	JLM-11234	UPPER POTENTIOMETER	1
5.	JLM-11235	LOWER POTENTIOMETER	1
6.	JLM-11343	HEATER CORE (MATRIX)	1
7.	CBC-4967	O-RING	2
8.	JLM-2121	WATER TEMPERATURE SWITCH	1
9.	JLM-2161	EVAPORATOR (TO 1993)	1
9A.	JLM-20608	EVAPORATOR (1993 ON)	1



XJ40 Heating & A/C

A/C AND HEATER UNIT CONTROLS

#	PART #	DESCRIPTION	QTY. REQ.
10.	CBC-2695	FAN MOTOR ASSY. RH (VIN #556850 TO #629285)	1
10A.	CBC-2696	FAN MOTOR ASSY. LH (VIN #556850 TO #629285)	1
	CCC-5400	FAN MOTOR ASSY. RH (VIN #629286 TO #667828)	1
	CCC-5401	FAN MOTOR ASSY. LH (VIN #629286 TO #667828)	1
	CCC-6028	FAN MOTOR ASSY. RH (VIN #667829 TO #687218)	1
	CCC-6029	FAN MOTOR ASSY. LH (VIN #667829 TO #687218)	1
	CCC-7448	FAN MOTOR ASSY. RH (VIN #687219 ON)	1
	CCC-7449	FAN MOTOR ASSY. LH (VIN #687219 ON)	1
11.	DBC-5844-R	CONTROL PANEL, REB. (1990 TO 1993)	1
	DBC-5844-CR	CORE DEPOSIT REQUIRED	1
12.	JLM-499	SLIDER SWITCH (TO 1993)	1
13.	JLM-500	FAN KNOB (TO 1993)	1
14.	JLM-501	TEMPERATURE KNOB (TO 1993)	1
15.	CAC-4188	NON-RETURN VALVE	1



"... arguably the most comfortable car in the world."

MOTOR, October 1986

an early review of the XJ40

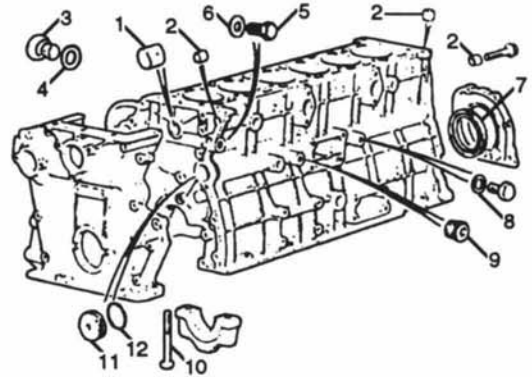


*Our salvage department may have just what you are looking for.
Call for details on our used parts program.*

XJ40 Engine

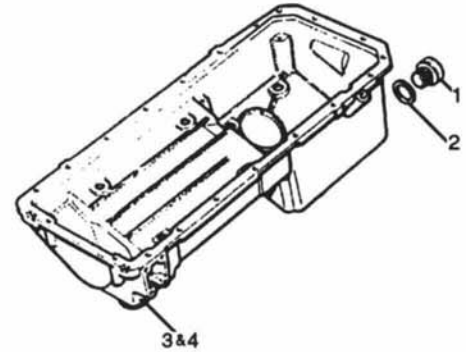
ENGINE BLOCK

#	PART #	DESCRIPTION	QTY. REQ.
1.	EAC-2522	BUSHING, INTERMEDIATE SHAFT	2
2.	C-2373	LOCATING DOWEL	5
3.	EAC-3972	DRAIN PLUG	1
4.	C-2296-24	SEALING WASHER	1
5.	EAC-7769	PLUG	1
6.	C-2296-23	SEALING WASHER	1
7.	EAC-4974	REAR OIL SEAL	1
8.	C-2296-4	SEALING WASHER	1
9.	C-43638	OIL GALLERY PLUG	1
10.	EAC-4119	MAIN BEARING CAP BOLT	14
11.	EAC-2494	OIL GALLERY PLUG	2
12.	EAC-2495	O-RING	2



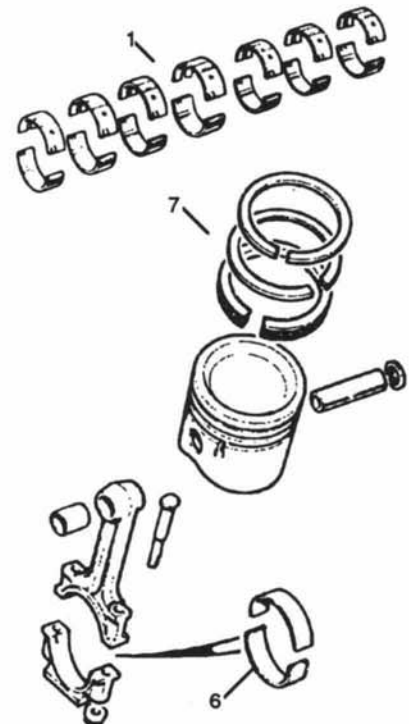
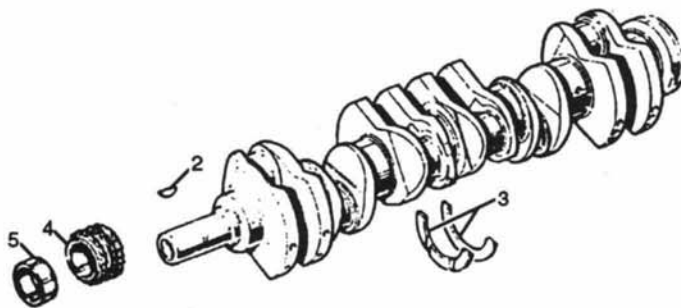
OIL SUMP (OIL PAN)

#	PART #	DESCRIPTION	QTY. REQ.
1.	EAC-3972	DRAIN PLUG	1
2.	C-2296-24	SEALING WASHER	1
3.	EAC-5221	PLUG, OIL RELIEF VLVE. (88-93)	1
4.	C-2296-22	SEALING WASHER (88-93)	1
5.	GSK-106	GASKET SET (NOT SHOWN)	



CRANKSHAFT AND PISTONS

#	PART #	DESCRIPTION	QTY. REQ.
1.	VP-91898-STD	MAIN BEARING SET - STANDARD SIZE	1
2.	CAM-1978-J	KEY	1
3.	VP-95001-STD	THRUST WASHER SET - STANDARD SIZE	1
3A.	VP-95001-10	THRUST WASH. SET, OVERSIZE (+.010)	1
4.	EAC-2456	SPROCKET	1
5.	EAC-2464	DISTANCE PIECE	1
6.	VP-91897-STD	ROD BEARING SET - STANDARD SIZE	1
7.	JLM-581-STD	PISTON RING SET, 3.6 LITER	1

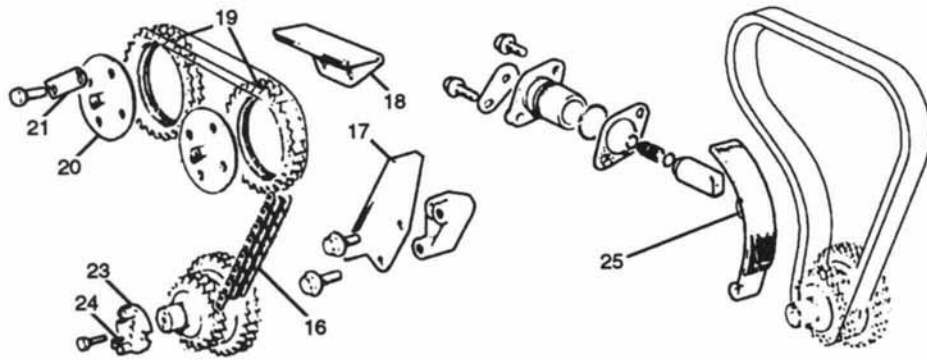
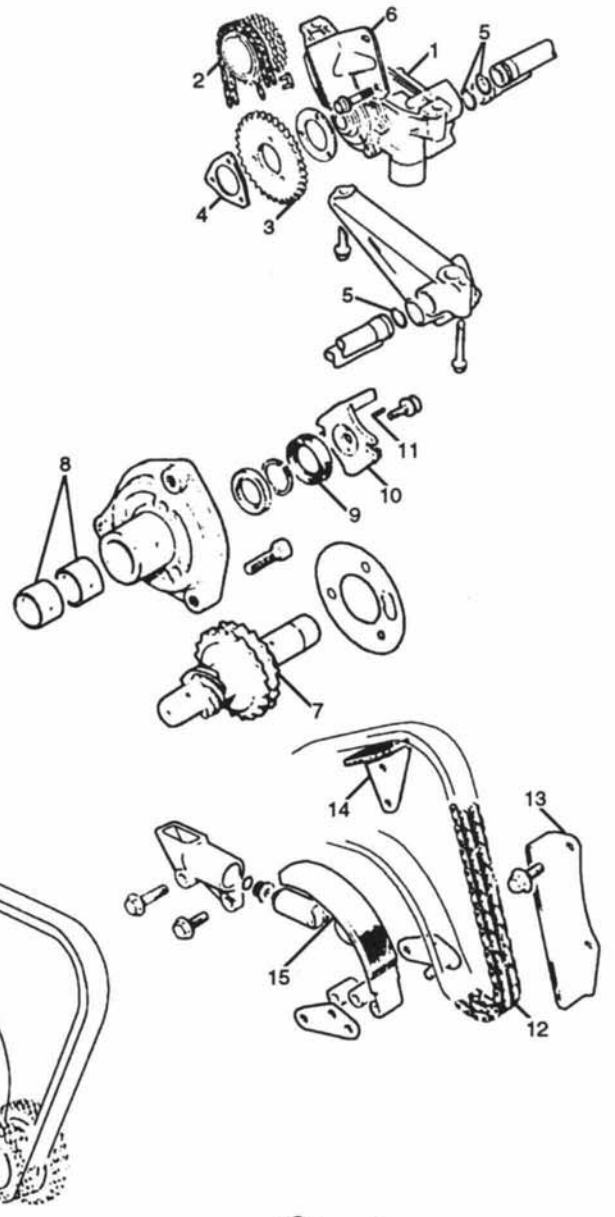


ASK US ABOUT OUR USED PARTS PROGRAM

XJ40 Engine

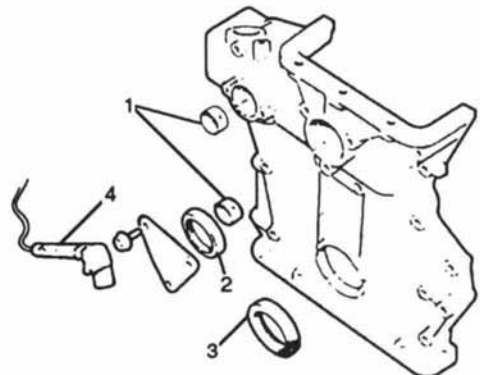
OIL PUMP AND TIMING GEAR

#	PART #	DESCRIPTION	QTY. REQ.
1.	EAC-7398	OIL PUMP	1
2.	EAC-2619	OIL PUMP CHAIN	1
3.	EAC-6395	OIL PUMP SPROCKET	1
4.	EAC-4505	TAB WASHER	1
5.	EAC-5536	O-RING	2
6.	EBC-3823	TENSIONER BLADE	4
7.	EAC-6741	AUXILLARY SHAFT 3.6 LITER	1
	EBC-3415	AUXILLARY SHAFT 4.0 LITER	1
8.	EAC-2522	AUXILLARY SHAFT BUSHING	2
9.	EAC-6156	OIL SEAL	1
10.	EAC-7080	DRIVING DOG	1
11.	EAC-7643	SPIROL PIN	2
12.	EAC-4519	PRIMARY TIMING CHAIN	1
13.	EAC-4533	LOWER DAMPER	1
14.	EAC-6766	UPPER DAMPER	1
15.	EAC-4527	LOWER TENSIONER	1
16.	EAC-4520	SECONDARY TIMING CHAIN	1
17.	EAC-4534	LOWER CHAIN DAMPER	1
18.	EAC-4535	UPPER DAMPER	1
19.	C-24686	CAMSHAFT SPROCKET	2
20.	C-33889	CAMSHAFT COUPLING	2
21.	C-33917	TAB WASHER	4
22.	C-30767	CIRCLIP	2
23.	EBC-3398	DRIVE COUPLING	1
24.	EAC-7463	SPIROL PIN	2
25.	EAC-4536	UPPER TENSIONER BLADE	1



TIMING COVER

#	PART #	DESCRIPTION	QTY. REQ.
1.	EAC-2522	BUSHING	2
2.	EAC-5721	OIL SEAL - INTERMEDIATE SHAFT	1
3.	EAC-7954	OIL SEAL - CRANKSHAFT	1
4.	DBC-2139	SPEED SENSOR (TO VIN #667828)	1
4A.	DBC-11501	SPEED SENSOR (VIN # 667829 ON)	1



ASK US ABOUT OUR USED PARTS PROGRAM

XJ40 Engine

CYLINDER HEAD

#	PART #	DESCRIPTION	QTY. REQ.
1.	EAC-6437	INTAKE VALVE SEAT	12
2.	EAC-6435	EXHAUST VALVE SEAT (TO VIN #667828)	12
2A.	EBC-4198	EXHAUST VALVE SEAT (VIN #667829 ON)	12
3.	C-29390	STEEL VALVE GUIDE (.502" DIA.)	24
3A.	VG-50913-BR	BRONZE VALVE GUIDE (.502" DIA.)	24
3B.	VG-50913-BR1	BRONZE VALVE GUIDE (.504" DIA.)	24
3C.	VG-50913-BR2	BRONZE VALVE GUIDE (.507" DIA.)	24

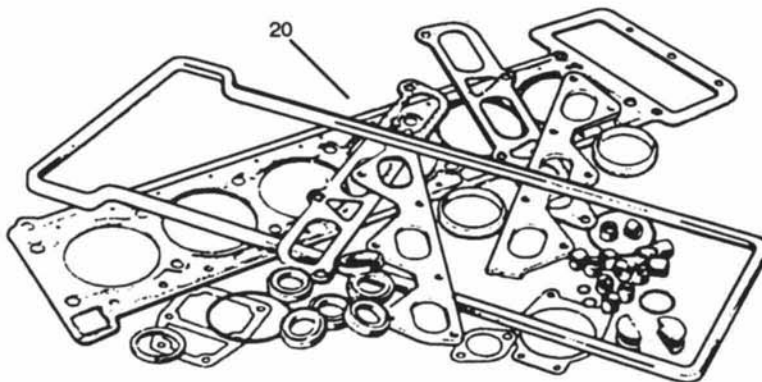
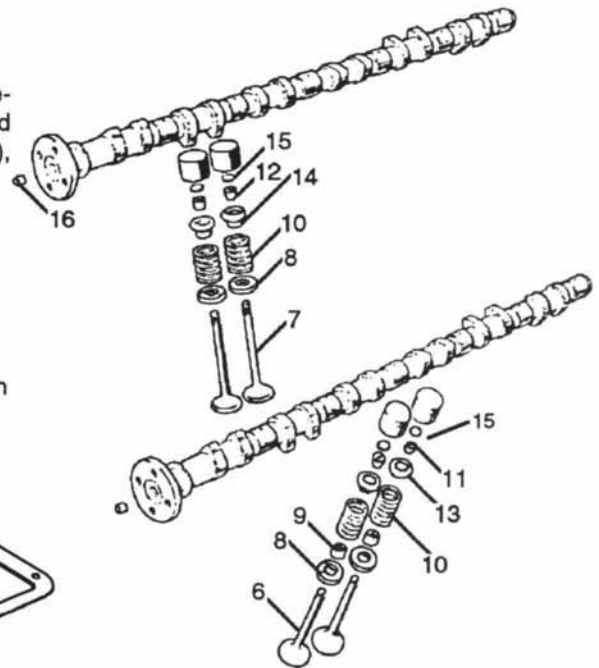
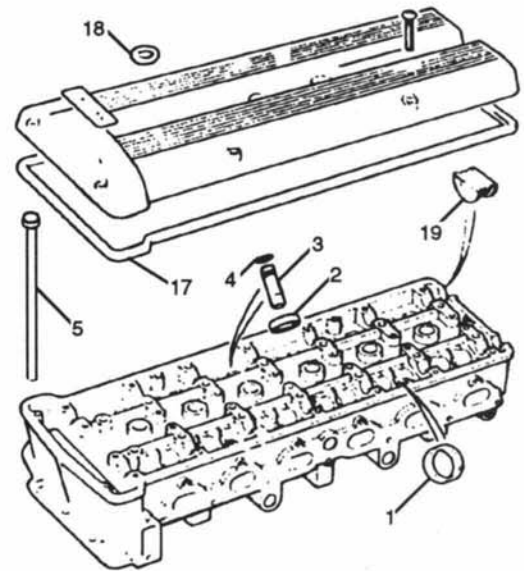
NOTE: Heads use steel guides from the factory, the bronze type are direct replacements.

4.	EBC-1782	VALVE GUIDE CIRCLIP	24
5.	EAC-4744	HEAD BOLT	14
6.	EAC-2909	INTAKE VALVE	12
7.	EAC-7255	EXHAUST VALVE	12
8.	C-27481	VALVE SPRING SEAT (TO VIN #667828)	24
8A.	EBC-2902	VALVE SPRING SEAT (VIN #667829 ON)	24
9.	EBC-5032	INTAKE VALVE SEAL	12
10.	EAC-5875	VALVE SPRING-PAIR (1-INNER, 1-OUTER)	24
11.	C-27482	INTAKE VALVE COLLET (PAIR)	12
12.	EAC-7256	EXHAUST VALVE COLLET (PAIR)	12
13.	C-27480	INTAKE VALVE RETAINER	12
14.	EAC-7227	EXHAUST VALVE RETAINER	12
15.	EAC-5013	ADJUSTING SHIM	A/R

NOTE: Valve adjusting shims are available in 0.005" increments from 0.0850" to 0.01050". To order the 0.0850", add the number "2" as a suffix to the part number (EAC-05013-2), for 0.0855", add "3", etc.

16.	C-33244	CAMSHAFT END PLUG.	2
17.	EAC-2912-K	CAMSHAFT COVER AND SEAL KIT	1
17A.	EAC-2912	CAMSHAFT COVER SEAL	1
18.	EAC-4049	SPARK PLUG BOSS SEAL	6
19.	C-30431	CAMSHAFT COVER SEAL - REAR	2
20.	GSK-128	CYLINDER HEAD GASKET SET	1

NOTE: The cylinder head gasket set also includes illustration numbers 17, 18, and 19.

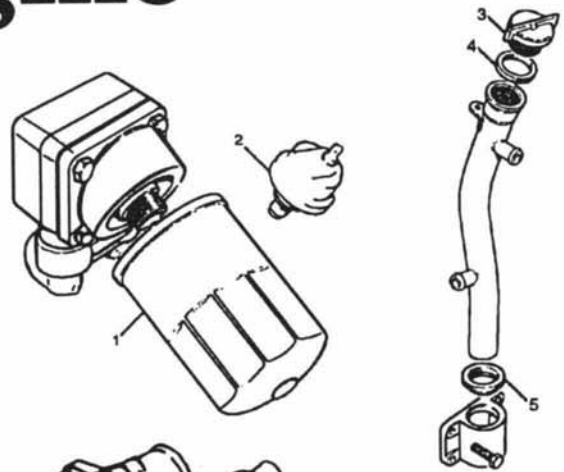


ASK US ABOUT OUR USED PARTS PROGRAM

XJ40 Engine

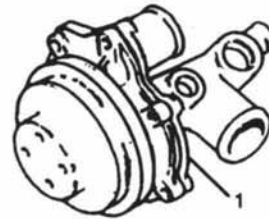
OIL FILTER, OIL FILLER

#	PART #	DESCRIPTION	QTY. REQ.
1.	GFE-317	OIL FILTER	1
2.	DBC-5513	OIL PRESSURE TRANSDUCER	1
3.	C-34757	OIL FILLER CAP	1
4.	C-42511	O-RING	1
5.	EAC-2632	BUSHING SEAL	1



WATER PUMP

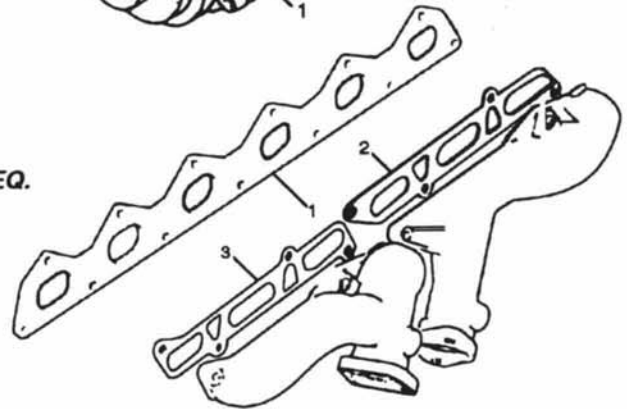
#	PART #	DESCRIPTION	QTY. REQ.
1.	EAC-7235	REB. WATER PUMP (4-GROOVE PULLEY)	1
1A.	EAC-7235-CR	CORE DEPOSIT REQUIRED	1
1B.	EAC-7243	REBUILT WATER PUMP (V-BELT PULLEY)	1
1C.	EAC-7243-CR	CORE DESPOSIT REQUIRED	1
1D.	NBB-2200-DA	WATER PUMP (VIN #667828 ON)	1



MANIFOLDS

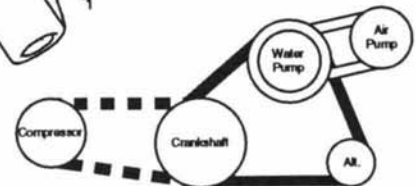
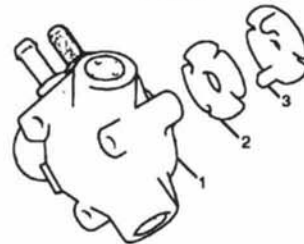
#	PART #	DESCRIPTION	QTY. REQ.
1.	EBC-2781	INTAKE MANIFOLD TO HEAD GASKET	1
2.	EAC-8994	EXHAUST MANIFOLD FRONT GASKET	1
3.	EAC-8995	EXHAUST MANIFOLD REAR GASKET	1

NOTE: The above gaskets are also included in the GSK-128 cylinder head gasket set.



HYDRAULIC PUMP

#	PART #	DESCRIPTION	QTY. REQ.
1.	CBC-5918	HYDRAULIC PUMP (TO VIN #667828)	1
1A.	CCC-6432	HYDRAULIC PUMP (VIN #667829 ON)	1
2.	EAC-6778	DRIVE RING	1
3.	EBC-3398	DRIVE COUPLING	1

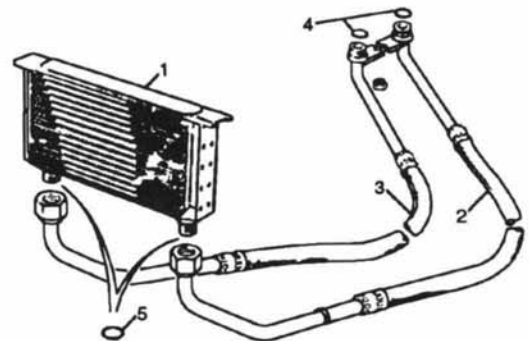


DRIVE BELTS

#	PART #	DESCRIPTION	QTY. REQ.
1.	FBS-XJ40	BELT SET (4-GROOVE PUMP PULLEY)	1

OIL COOLER

#	PART #	DESCRIPTION	QTY. REQ.
1.	CAC-8509	OIL COOLER	1
2.	CBC-1310	FEED HOSE	1
3.	CBC-1309	RETURN HOSE (TO VIN #544387)	1
3A.	CBC-8662	RETURN HOSE (VIN #544388 ON)	1
4.	CAC-5118	O-RING	2
5.	KRC-1160	O-RING	2

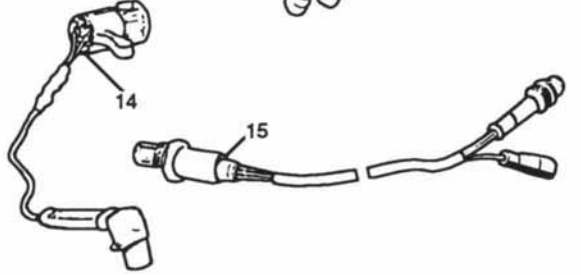
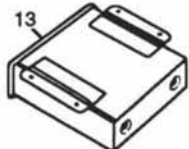
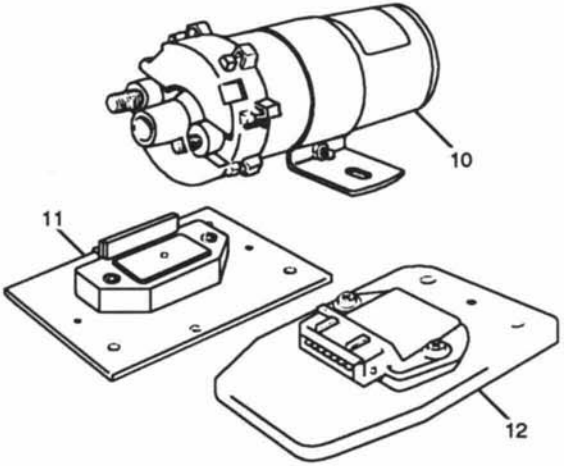
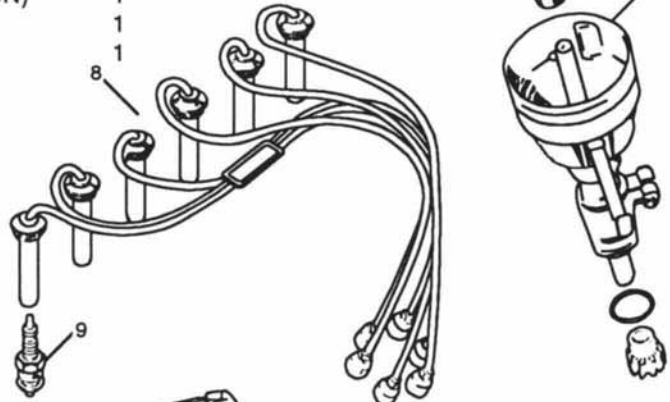
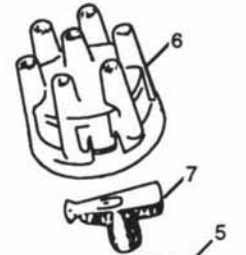
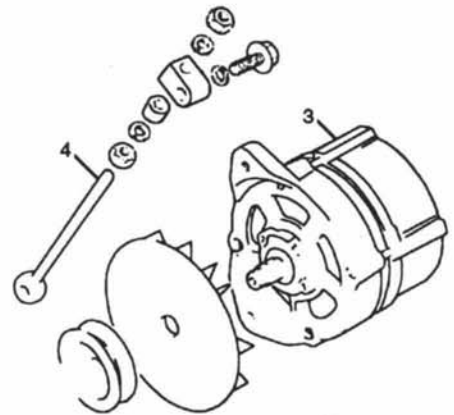
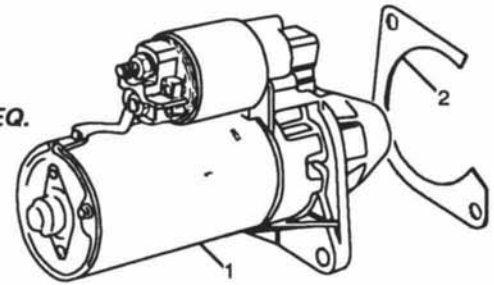


XJ40 Engine

ELECTRICAL

NOTE: Early cars (1988-1989) use the Lucas-brand starter, available only rebuilt. It can be replaced by the Bosch type by using the spacer shim listed below.

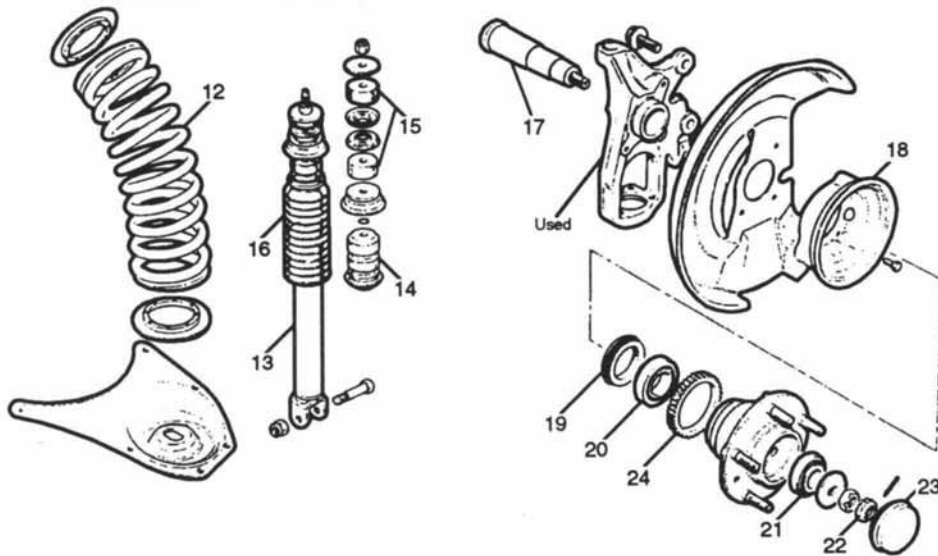
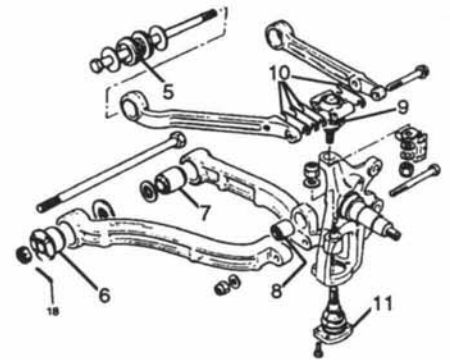
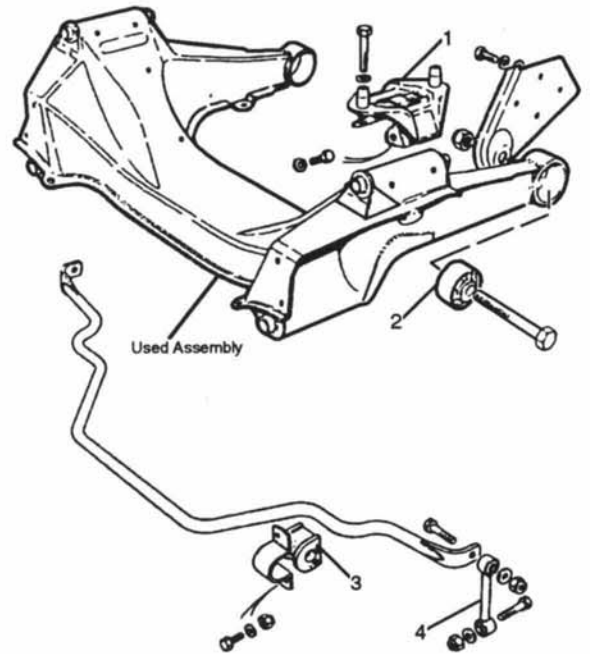
#	PART #	DESCRIPTION	QTY. REQ.
1.	S-3121	REBUILT STARTER - LUCAS	1
	S-3121-BOSCH	REBUILT STARTER - BOSCH	1
	DBC-2937-N	NEW STARTER - BOSCH	1
NOTE: Due to limited availability, all starters, rebuilt or new, require a core deposit that is refunded when you return your old starter.			
1A.	S-3121-CR	CORE DEPOSIT	1
2.	EBC-1632	SPACER SHIM	1
3.	24102	REBUILT ALTERNATOR - LUCAS (1988)	1
3A.	24102-CR	CORE DEPOSIT	1
3.	DBC-3067-R	REB. ALT. - BOSCH 90A (1988 TO 1989)	1
3A.	DBC-3067-CR	CORE DEPOSIT	1
3.	DBC-6225	REB. ALT. - BOSCH 115A (1990 TO 1992)	1
3A.	DBC-6225-CR	CORE DEPOSIT	1
3.	DBC-6819	REB. ALT. - BOSCH 120A (1993 ON)	1
3A.	DBC-6819-CR	CORE DEPOSIT	1
4.	C-34241	ADJUSTING BOLT (1988 TO 1992)	1
5.	DBC-2690	DISTRIBUTOR	1
6.	JLM-150	DISTRIBUTOR CAP	1
7.	DRB-121	DISTRIBUTOR ROTOR	1
8.	DBC-6501	SPARK PLUG WIRE SET	1
9.	RC-9-YC	SPARK PLUG	6
10.	DBC-1140	IGNITION COIL	1
11.	DBC-2642	IGNITION MODULE (TO VIN #667828)	1
12.	DBC-11365	IGN. MOD. (VIN #667828 ON)	1
13.	DBC-4913	CONTROL UNIT (TO VIN #594575)	1
13.	DBC-4968	CONTROL UNIT (VIN #594575 TO #667828)	1
14.	DBC-2139	CRANK. SPEED SENSOR (TO VIN #667828)	1
14.	DBC-11501	CRANK. SPEED SENSOR (VIN #667828 ON)	1
15.	DAC-6907	OXYGEN SENSOR (TO VIN #667828)	1
15.	DBC-10744	OXYGEN SENSOR (VIN #667829 ON)	1



ASK US ABOUT OUR USED PARTS PROGRAM

XJ40 Ft. Susp. & Hubs

#	PART #	DESCRIPTION	QTY. REQ.
1.	CBC-5957	FRONT V- MOUNT	2
2.	C-30314	REAR ROUND MOUNT	2
3.	CAC-4651-10	ANTI-ROLL BAR MOUNT BUSHING	2
4.	CAC-9827	ANTI-ROLL BAR LINK	2
5.	C-33745-1	UPPER CONTROL ARM BUSH. (TO 1990)	4
5A.	CBC-5523	UPPER CONTROL ARM BUSH (1990 ON)	4
6.	CBC-2291	FT. LOWER CONTROL ARM BUSHING	2
7.	CBC-2301	REAR LOWER CONTROL ARM BUSHING	2
8.	CAC-7585-1	DAMPER BUSHING	2
9.	CAC-9938	UPPER BALL JOINT	2
10.	C-15308	ALIGNMENT SHIM	A/R
11.	CAC-9937	LOWER BALL JOINT	2
12.	JLM-578	ROAD SPRING	2
13.	CBC-8301	SHOCK ABSORBER	2
14.	CAC-9428	BUFFER	2
15.	CBC-5956	SHOCK BUSHING	4
16.	CAC-9429	GAITER	2
17.	CAC-4650	STUB AXLE	2
18.	CAC-9646	WATER SHIELD	2
19.	CBC-2858	HUB SEAL	2
20.	CAC-4999	INNER HUB BEARING	2
21.	CAC-4603	OUTER HUB BEARING	2
22.	C-45726	NUT RETAINER	2
23.	CAC-9865	GREASE CUP	2
24.	CBC-4704	SENSOR ROTOR	2
	JLM-1707	HUB BEARING & SEAL KIT (INC. #19-21)	2



*"Its speed and drive will leave you
breathless, its handling will burn holes in
your driving gloves. . ."*

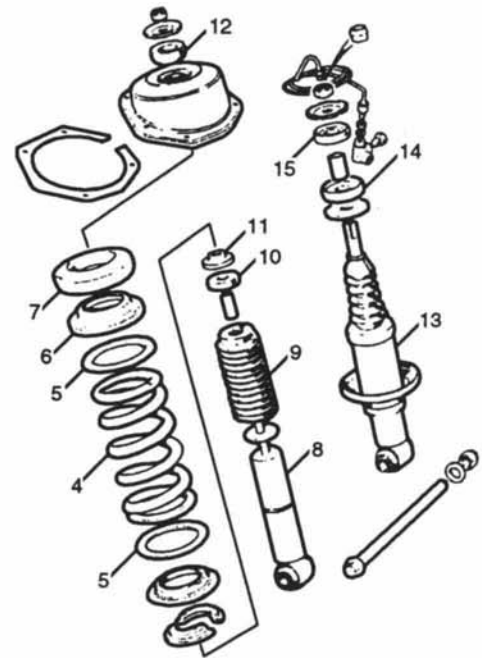
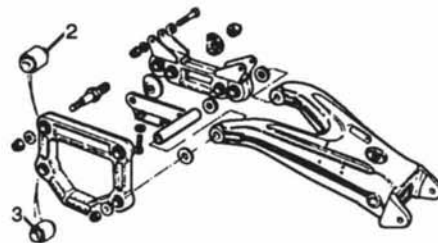
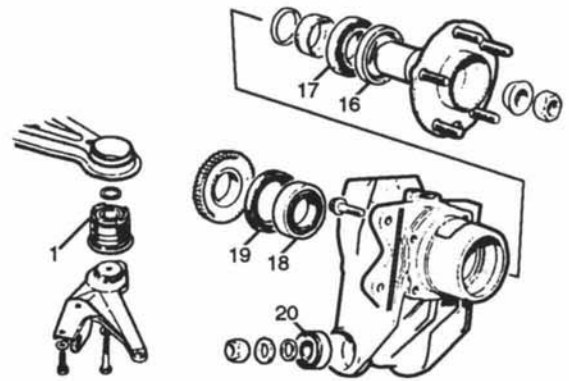
POPULAR MECHANICS, January 1987

an early review of the XJ40

XJ40 Rear Susp. & Hubs

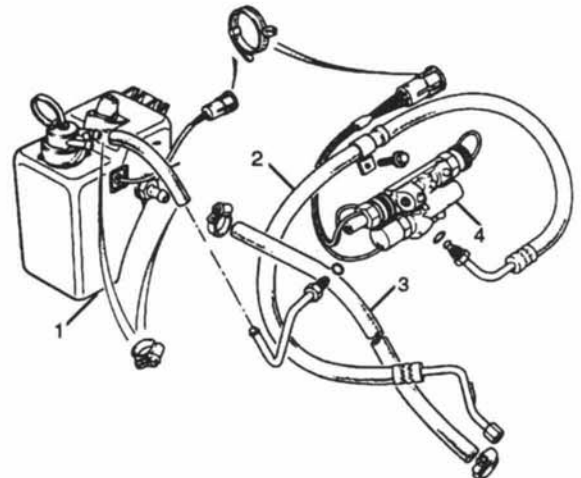
REAR SUSPENSION & HUBS

#	PART #	DESCRIPTION	QTY. REQ.
1.	CCC-6875	MOUNTING BUSHING	2
2.	CAC-7760-1	UPPER PENDULUM BUSHING	2
3.	CAC-4713-1	LOWER PENDULUM BUSHING	2
4.	JLM-657	ROAD SPRING SET (NON SELF LEVEL.)	1
5.	CAC-9162	SPACER 2.90 MM.	A/R
5A.	CAC-9162-1	SPACER 6.55 MM.	A/R
6.	CAC-9439	UPPER SPRING PLATE	2
7.	CAC-9449-60	SPRING INSULATOR	2
8.	CBC-5958	SHOCK ABSORBER (NON SELF LEVEL.)	2
9.	CBC-1886	GAITER	2
10.	CBC-2254-55	LOWER ISOLATOR	2
11.	CBC-2933	GUIDE BUSHING	2
12.	CBC-2257-60	UPPER ISOLATOR	2
13.	CBC-8892	SHOCK ABSORBER (SELF LEVELING)	2
14.	CAC-9494-65	LOWER ISOLATOR	2
15.	CAC-9493-50	UPPER ISOLATOR	2
16.	CAC-8663	OUTER HUB SEAL	2
17.	CAC-6333-1	OUTER BEARING	2
18.	CAC-6332	INNER BEARING	2
19.	CBC-1706	INNER SEAL	2
	JLM-1708	HUB BEARING KIT (INC. #16, 17, 18, 19)	2
20.	CAC-4610	FULCRUM BEARING	4
	JLM-11698-K	CONVERSION KIT - CONTAINS ALL PARTS REQUIRED TO CONVERT SELF-LEVELING SYSTEM TO NON-SELF LEVELING.	



REAR SUSPENSION - RIDE LEVELING - HYDRAULIC SYSTEM 1988-1989 (TO VIN #594575)

#	PART #	DESCRIPTION	QTY. REQ.
1.	CBC-6952	RESERVOIR	1
2.	CBC-8673	HOSE, HP, PUMP TO SOLENOID	1
3.	CBC-1634	HOSE, LP, RESERVOIR TO PUMP	1
4.	CBC-5848	SOLENOID BLOCK	1

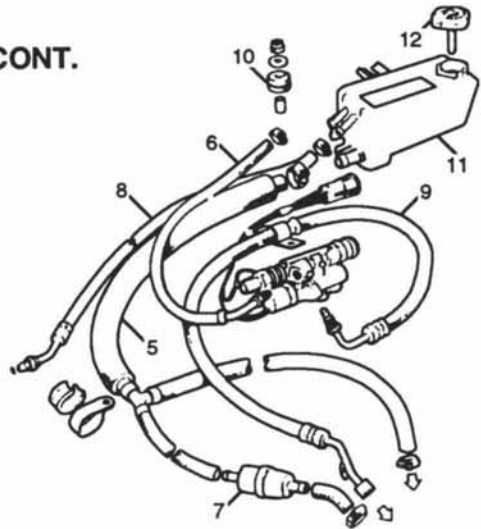


ASK US ABOUT OUR USED PARTS PROGRAM

XJ40 Rear Suspension

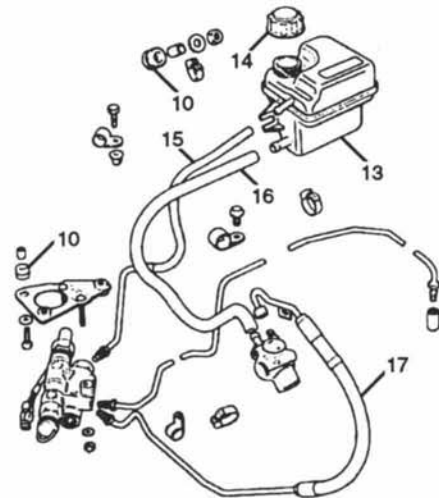
REAR SUSPENSION - RIDE LEVELING - HYDRAULIC SYSTEM CONT. 1990-1993 (VIN #594567 TO 667828)

#	PART #	DESCRIPTION	QTY. REQ.
5.	CCC-6573	HOSE, LP, "Y" PIPE ASSEMBLY	1
6.	CBC-7345	HOSE, RESERVOIR TO SOLENOID	1
7.	CBC-9538	FILTER	1
8.	CBC-6298	HOSE, LP, OIL COOLER TO RESERVOIR	1
9.	CCC-2625	HOSE, HP, PUMP TO SOLENOID BLOCK	1
10.	CBC-1448	MOUNTING GROMMET	1
11.	CCC-2783	RESERVOIR WITH CAP	1
12.	CCC-2585	CAP ONLY	1



1993 ON (FROM VIN #667829, EXCEPT 6.0 LITER)

#	PART #	DESCRIPTION	QTY. REQ.
13.	CCC-5382	RESERVOIR WITH CAP	1
14.	CCC-5381	CAP ONLY	1
15.	MMC-3811-AA	HOSE, LP, RESERVOIR TO SOLENOID	1
16.	CCC-2906	HOSE, LP, RESERVOIR TO PUMP	1
17.	CCC-7233	HOSE, HP, PUMP TO SOLENOID BLOCK	1

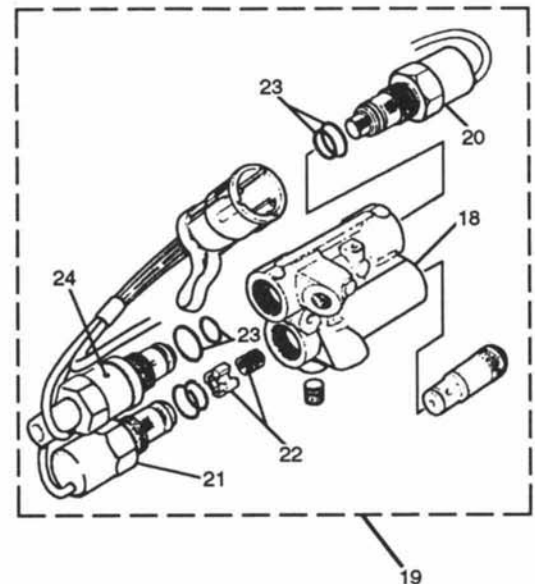
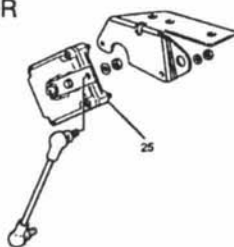


SOLENOID BLOCK AND SWITCHES

#	PART #	DESCRIPTION	QTY. REQ.
18.	CBC-5848-BLK	SOLENOID BLK. (USED - NO SWITCHES)	1
19.	CBC-5848	SOLENOID BLK. COMPLETE (1990 ON)	1

NOTE: This solenoid block can be used with earlier cars if you use the "up" solenoid from your old unit.

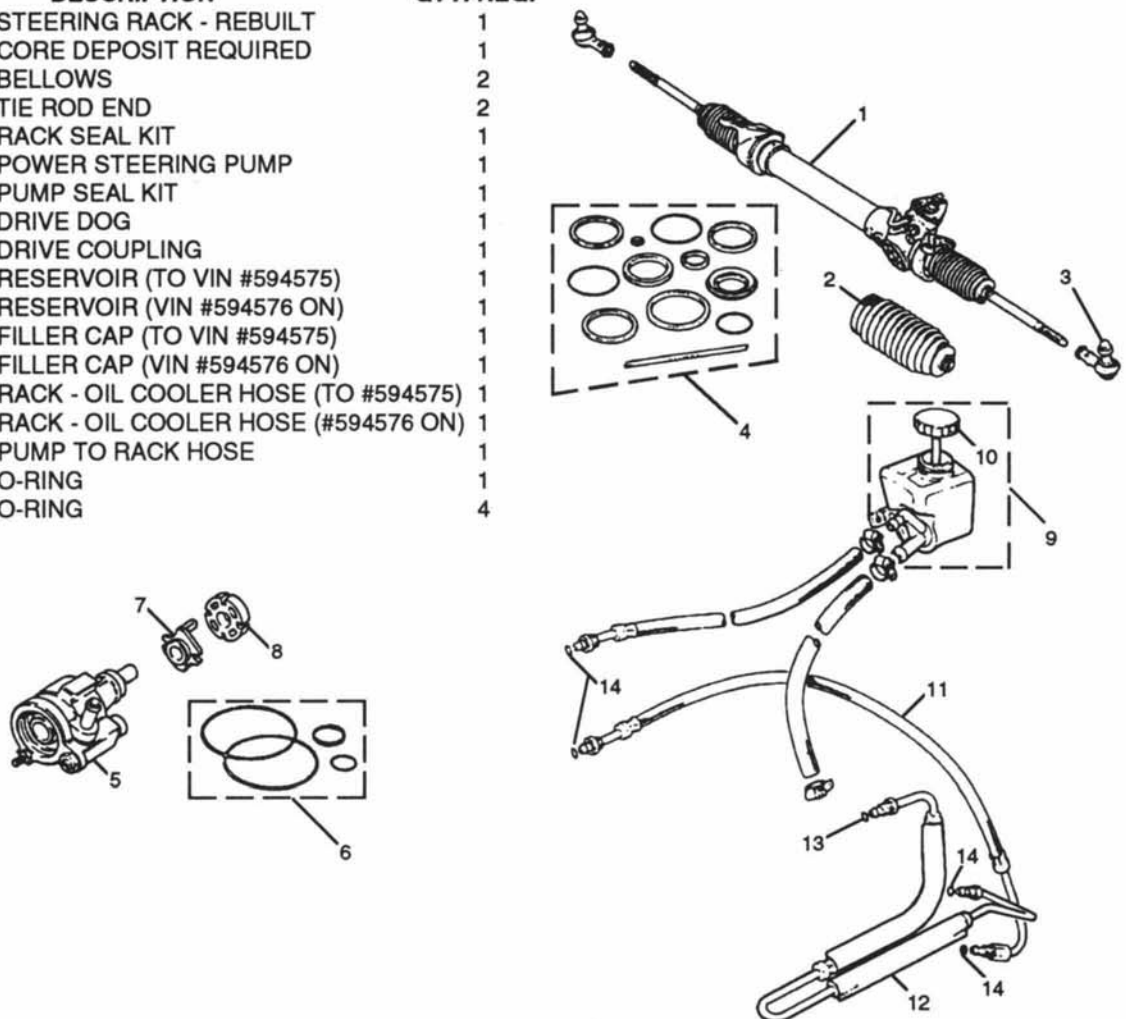
20.	CBC-9700	SOLENOID - DOWN	1
21.	CBC-9702	SOLENOID - UP	1
22.	JLM-2057	SPRING & VALVE ASSEMBLY	1
23.	JLM-2058	O-RING KIT - DOES ONE SOLENOID	A/R
24.	CBC-5848-CH	SOLENOID - LOAD	1
25.	DBC-6768	RIDE LEVEL SENSOR	1



XJ40 Steering

STEERING

#	PART #	DESCRIPTION	QTY. REQ.
1.	CBC-4925-R	STEERING RACK - REBUILT	1
	CBC-4925-CR	CORE DEPOSIT REQUIRED	1
2.	JLM-1103	BELLOWS	2
3.	JLM-9660	TIE ROD END	2
4.	JLM-1106	RACK SEAL KIT	1
5.	EAC-3970	POWER STEERING PUMP	1
6.	AEU-2787	PUMP SEAL KIT	1
7.	EAC-7081	DRIVE DOG	1
8.	EAC-7107	DRIVE COUPLING	1
9.	CAC-6853	RESERVOIR (TO VIN #594575)	1
	MMB-4001-AA	RESERVOIR (VIN #594576 ON)	1
10.	JLM-2162	FILLER CAP (TO VIN #594575)	1
	CCC-3930	FILLER CAP (VIN #594576 ON)	1
11.	CBC-1830	RACK - OIL COOLER HOSE (TO #594575)	1
	CBC-9941	RACK - OIL COOLER HOSE (#594576 ON)	1
12.	CBC-9403	PUMP TO RACK HOSE	1
13.	CAC-8968-1	O-RING	1
14.	CAC-8968-2	O-RING	4



*"It's response is quick, the precision of its
handling a delight."*

CAR AND DRIVER, January 1987

an early review of the XJ40

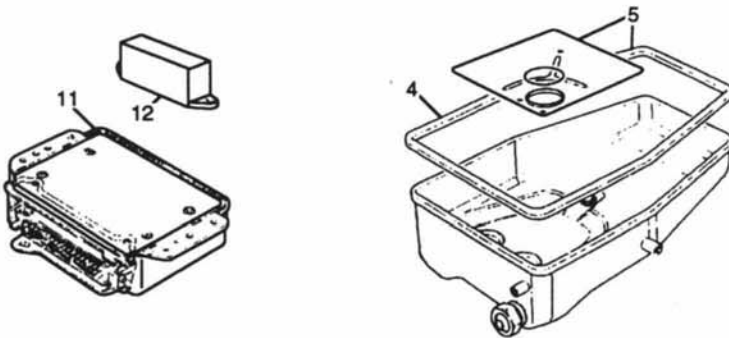
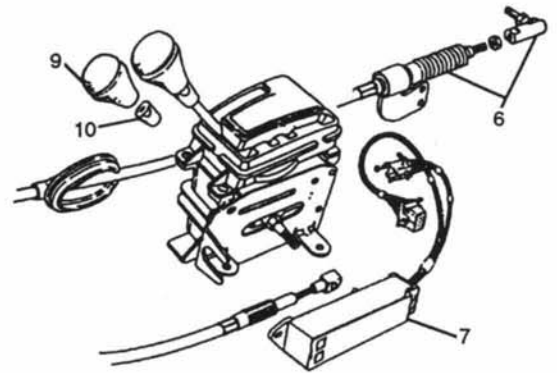
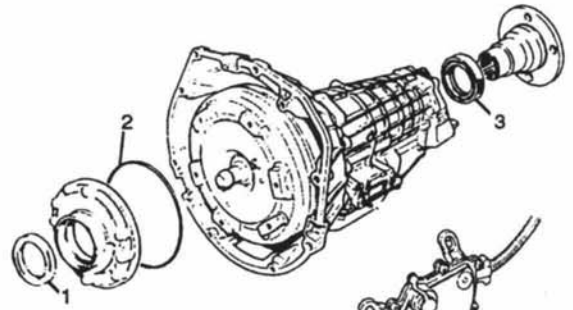
Welsh
ENTERPRISES
INC. *Jaguar*
SPECIALISTS

**OUR SALVAGE DEPARTMENT MAY HAVE JUST WHAT YOU HAVE BEEN LOOKING FOR.
ASK YOUR SALESPERSON FOR DETAILS ABOUT OUR USED PARTS PROGRAM**

XJ40 Drivetrain

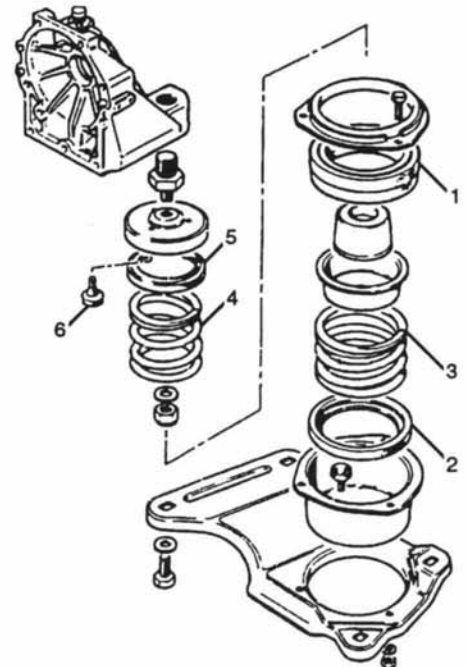
AUTOMATIC TRANSMISSION

#	PART #	DESCRIPTION	QTY. REQ.
1.	JLM-10856	FRONT SEAL	1
2.	JLM-2285	FRONT O-RING	1
3.	JLM-10723	REAR SEAL	1
4.	JLM-650	SUMP PAN GASKET	1
5.	JLM-664-K	3.6 LITER FILTER & GASKET KIT	1
5A.	JLM-2128-K	4.0 LITER FILTER & GASKET KIT	1
6.	CBC-5694	LITER SHIFT CABLE	1
7.	DBC-2684	LINEAR SWITCH (1988 TO 1989)	1
8.	DBC-6434	LINEAR SWITCH (1990 ON)	1
9.	CBC-9563-LEG	SHIFT KNOB — BLACK	1
9A.	CBC-9563-JEF	SHIFT KNOB — BLUE	1
10.	CAC-7835	LOCK NUT	1
11.	LMA-2400-AA	CONTROL ECU (TO VIN #667828)	1
	DAC-11432	CONTROL ECU (VIN #667829 ON)	1
12.	DBC-10060	DECODER MODULE (TO VIN #667828)	1



REAR MOUNT

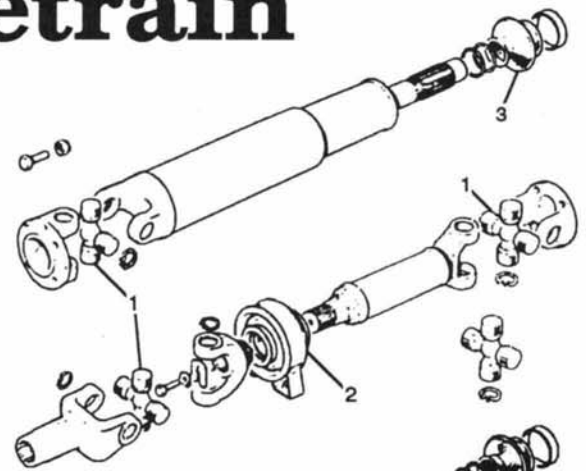
#	PART #	DESCRIPTION	QTY. REQ.
1.	CBC-1324	FOAM BUFFER	1
2.	CBC-1883	SPRING SEAT LOWER	1
3.	CBC-4744	SPRING - OUTER	1
4.	CBC-4745	SPRING - INNER	1
5.	CAC-9343	SPRING SEAT	1
6.	CAC-9344	BUFFER	6



XJ40 Drivetrain

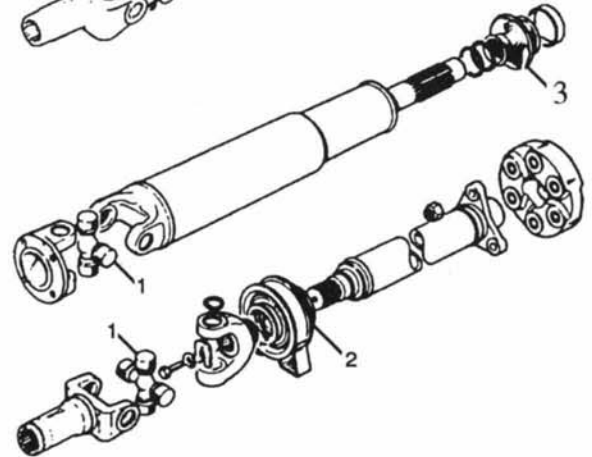
DRIVE SHAFT (NON JURID TO VIN #538477)

#	PART #	DESCRIPTION	QTY. REQ.
1.	JLM-9368	UNIVERSAL JOINT	3
2.	AAU-6066	CARRIER BEARING	1
3.	JLM-1543	BOOT	1



DRIVE SHAFT (JURID COUPLING TO VIN #594575)

#	PART #	DESCRIPTION	QTY. REQ.
1.	JLM-9368	UNIVERSAL JOINT	2
2.	AAU-6066	CARRIER BEARING	1
3.	CAC-7576	FLEXIBLE COUPLING (JURID)	1
4.	JLM-1543	BOOT	1



DRIVE SHAFT (JURID COUPLING FROM VIN #594576 ON)

#	PART #	DESCRIPTION	QTY. REQ.
1.	JLM-2302	UNIVERSAL JOINT	2
2.	NBB-5800-AAC	COMPLETE REP. DRIVESHAFT	1
3.	JLM-1543	BOOT	1

*Center support JLM-1989 is now N.L.S. Must use NBB-3800-AC complete drive shaft. VIN #594576 to #646827.

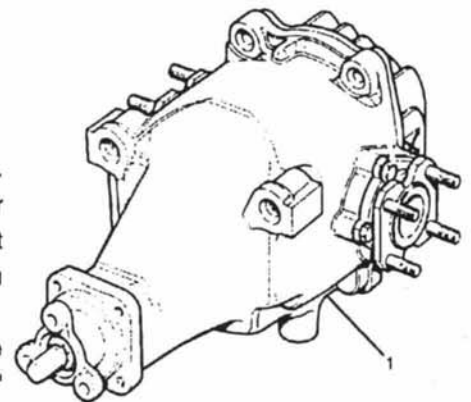
DIFFERENTIAL

#	PART #	DESCRIPTION	QTY. REQ.
1.	Please call	DIFFERENTIAL, REBUILT	1
1A.		CORE DEPOSIT REQUIRED	1

NOTE: Jaguar used several types of differentials between 1988 and 1993. Before calling for a price quote, please determine the (A) type, (B) ratio of your differential. Some differentials will have a tag attached that will be the actual part number, E.G. JLM-1371/28, we can quote using this part number, otherwise you will need to do the following.

(A) Type: if there is a large rubber coupler on the driveshaft at the front of the differential and there are three bolts on the front of the flange, this is the "jurid" type. The "non-jurid" type has a conventional U-joint next to the front flange on the differential and is held on with four bolts. Typically, only 1988 cars have non-jurid differentials, however, it's best to check what is actually on your car. Additionally, we need to know if yours is a "normal" or "powr-lok" (limited slip) type. This can best be determined by raising both rear wheels off the ground and turning one of the wheels by hand. If the other wheel doesn't turn, or turns in the opposite direction, this is the "normal" type. If both wheels turn in the same direction, you have the "powr-lok" type.

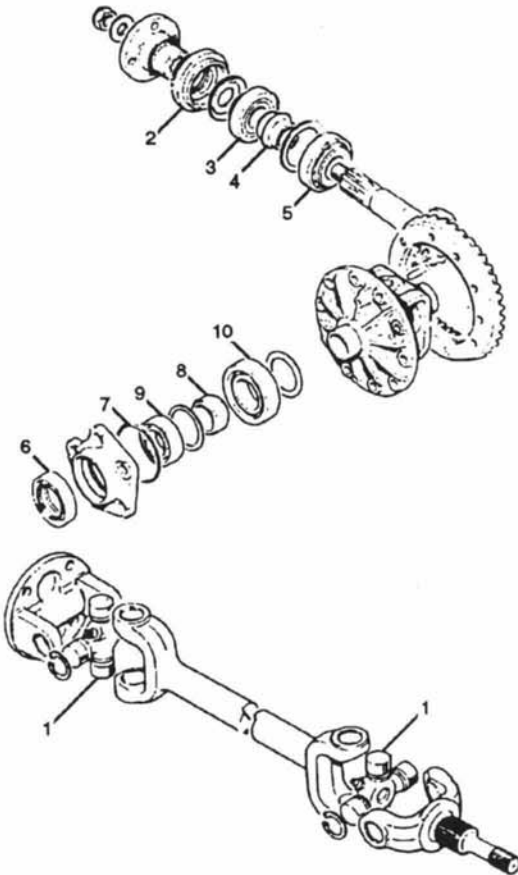
(B) Ratio: raise both rear wheels off the ground and turn one of the wheels by hand. Count the number of revolutions the driveshaft makes as you turn the wheel one revolution. With this information, we can give you a correct availability and price quote.



XJ40 Drivetrain

BEARINGS & SEALS

#	PART #	DESCRIPTION	QTY. REQ.
2.	JLM-527	PINION SEAL	
3.	ATA-7166	OUTER PINION BEARING	
4.	12456	CRUSH COLLAR	
5.	12252	INNER PINION BEARING	
6.	* JLM-618	SIDE SEAL	2
7.	* JLM-621	"O" RING	2
8.	* JLM-615	RETAINING COLLAR	2
9.	* JLM-617	OUTER BEARING	2
10.	* 3845	INNER BEARING	2
	DIF-400	DIFFERENTIAL SIDE REPAIR KIT— CONTAINS ONE OF EACH PART MARKED WITH *.	2



HALF SHAFTS

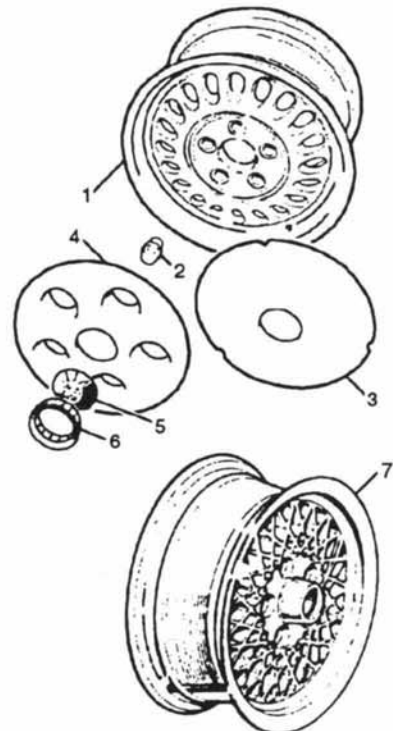
#	PART #	DESCRIPTION	QTY. REQ.
1.	JLM-1388	UNIVERSAL JOINT	4

ROAD WHEELS

#	PART #	DESCRIPTION	QTY. REQ.
1.	CAC-9650	ALLOY ROAD WHEEL	5
1A.	CAC-9650-R	ALLOY ROAD WHEEL - USED RECOND.	5
NOTE: Later wheel styles, including 16", are a direct replacement. We usually have a variety in stock. Please call for details.			
2.	CAC-4547	LUG NUT (STAINLESS STEEL)	20
2A.	CAC-7367	LUG NUT (BLACK FINISH)	20
3.	CAC-6439-1	HUB CAP - NO LUG NUT HOLES	4
4.	CAC-6438	HUB CAP - WITH LUG NUT HOLES.	4
5.	CAC-6502	BADGE (MOTIF)	4
6.	CAC-6442	BADGE RETAINER	4
7.	CBC-2469-2	"LATTICE" WHEEL" — SIGNAL RED	
7A.	CBC-2469-3	"LATTICE WHEEL" — REGENCY RED	

NOTE: Lattice wheels are aluminum with either bright red (signal) or maroon (regency) between the spokes. Use the badges, retainers and lug nuts from your stock wheels. Order from the above listing, or use the one listed below.

7B. HNA-6249-CA BADGE AND RETAINER (SILVER & RED)

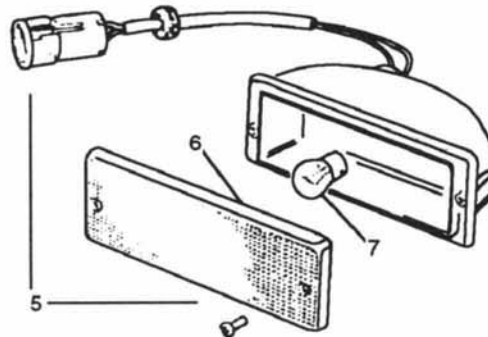
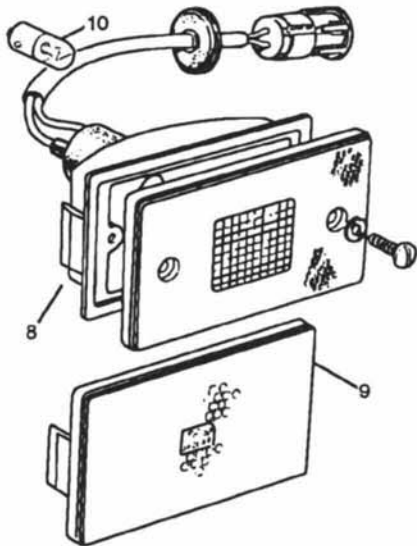
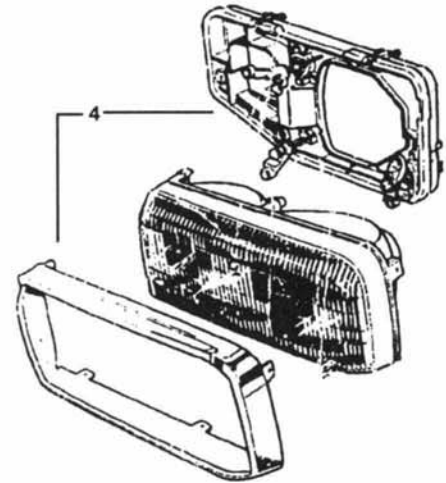
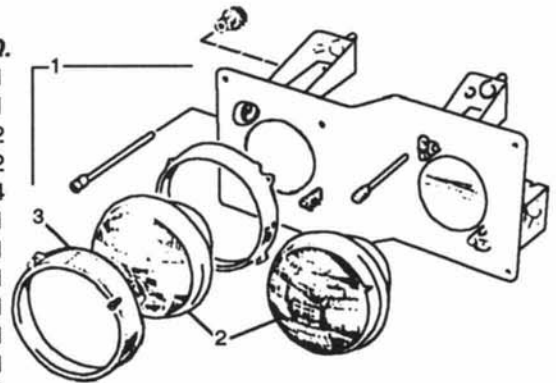


ASK US ABOUT OUR USED PARTS PROGRAM

XJ40 Electrical

EXTERIOR LIGHTING

#	PART #	DESCRIPTION	QTY. REQ.
1.	DBC-3036	RH HEADLAMP ASSEMBLY	1
	DBC-3037	LH HEADLAMP ASSEMBLY	1
2.	WAG-HI	INNER LIGHT UNIT	2
	WAG-LO	OUTER LIGHT UNIT	2
3.	54524588	RETAINING RIM	4
4.	DBC-5442	RH HEADLAMP ASSEMBLY	1
	DBC-5441	LH HEADLAMP ASSEMBLY	1
5.	DBC-2046	RH FRONT TURN LAMP (TO VIN #629285)	1
	DBC-2047	LH FRONT TURN LAMP (TO VIN #629285)	1
	DBC-5558	RH FT. TURN LAMP (VIN #629286 TO #667828)	1
	DBC-5557	LH FT. TURN LAMP (VIN #629286 TO #667828)	1
	DBC-11668	RH FRONT TURN LAMP (VIN #667829 ON)	1
	DBC-11669	LH FRONT TURN LAMP (VIN #667829 ON)	1
6.	JLM-1820	GREY LENS (FITS EITHER SIDE TO VIN #667828)	2
	JLM-11244	AMBER LENS (FITS EITHER SIDE VIN #667829 ON)	2
7.	LLB-380	BULB	2
8.	DBC-4944	RHF SIDE MARK. LAMP (TO VIN #629285)	1
	DBC-4945	LHF SIDE MARK. LAMP (TO VIN #629285)	1
	DBC-5560	RHF SIDE MARK. LAMP (VIN #629286 TO #667828)	1
	DBC-5559	LHF SIDE MARK. LAMP (VIN #629286 TO #667828)	1
	DBC-11664	RHF SIDE MARK. LAMP (VIN #667829 ON)	1
	DBC-11665	LHF SIDE MARK. LAMP (VIN #667829 ON)	1
	DBC-4946	RH REAR SIDE MARKER LAMP	1
	DBC-4947	LH REAR SIDE MARKER LAMP	1
9.	JLM-10866	RH FRONT SIDE MARKER LENS	1
	JLM-10867	LH FRONT SIDE MARKER LENS	1
	JLM-10868	RH REAR SIDE MARKER LENS	1
	JLM-10869	LH REAR SIDE MARKER LENS	1
10.	LLB-989	BULB	4

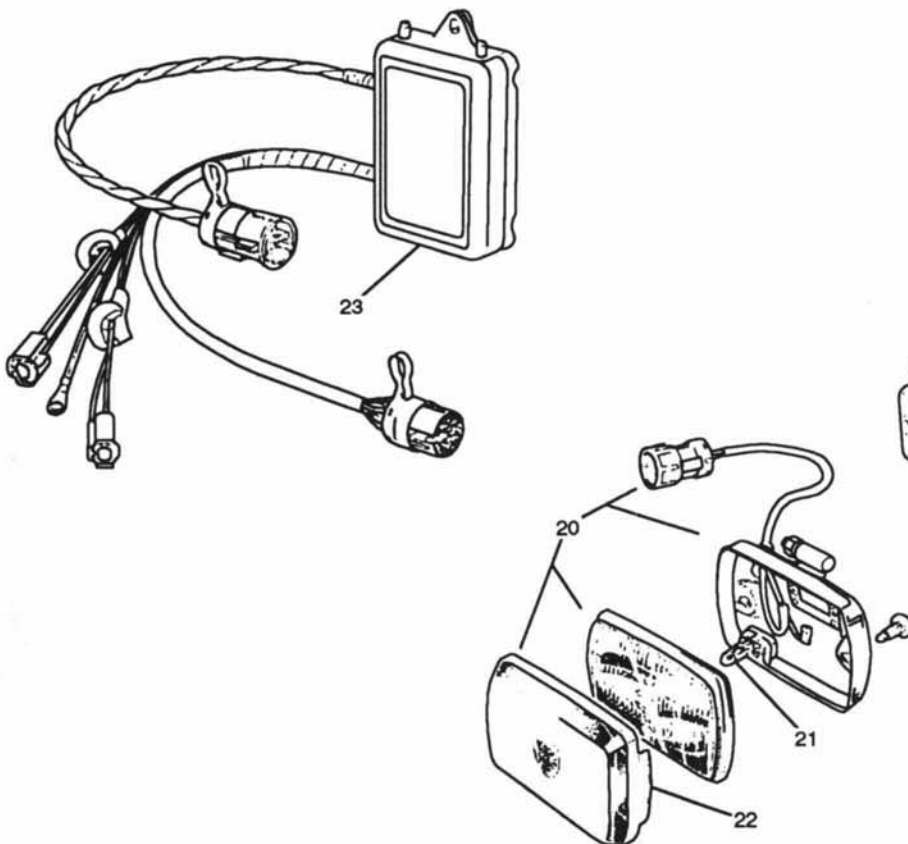
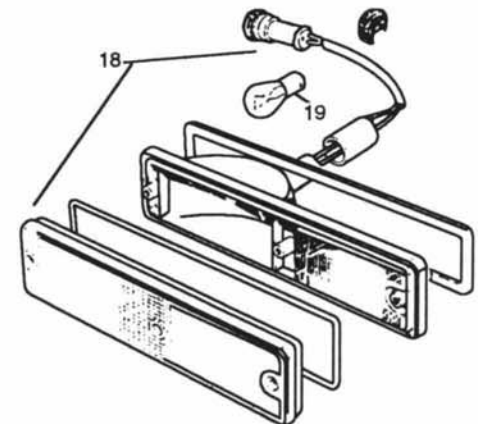
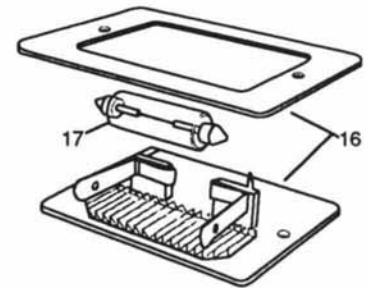
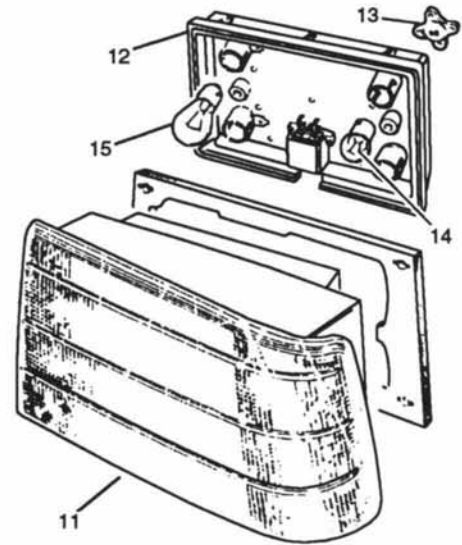


ASK US ABOUT OUR USED PARTS PROGRAM

XJ40 Electrical

EXTERIOR LIGHTING - (CONTINUED)

#	PART #	DESCRIPTION	QTY. REQ.
11.	DBC-5010	RH TAIL. LENS ASSY.-GRAY	1
	DBC-5011	LH TAIL. LENS ASSY.-GRAY	1
	DBC-5008	RH TAIL. LENS ASSY.-RED	1
	DBC-5009	LH TAIL. LENS ASSY.-RED	1
	JLM-2035	RH TAIL. LENS ASSY.-RED	1
	JLM-2036	LH TAIL. LENS ASSY.-RED	1
	JLM-20340	RH TAILAMP CHROME SURROUND	1
	JLM-20339	LH TAILAMP CHROME SURROUND	1
12.	JLM-561	RH COVER	1
	JLM-562	LH COVER	1
13.	BBC-1614	KNOB	4
14.	LLB-207	TAILLAMP BULB	2
15.	LLB-382	TAILLIGHT/REVERSE/STOP BULB	6
16.	DBC-2673	LICENSE PLATE LAMP ASSEMBLY	2
17.	LLB-239	BULB	2
18.	DBC-2594	REAR FOG LAMP ASSEMBLY	2
19.	LLB-207	BULB	2
20.	DAC-4241	FRONT FOG LAMP ASSEMBLY - CLEAR	1
	DAC-3753	FRONT FOG LAMP ASSEMBLY - AMBER	1
21.	JLM-9588	BULB	2
22.	JLM-1410	COVER	2
23.	DBC-5239	FT. QUAD LAMP BULB FAIL. MODULE (88 TO 89)	2
	DBC-5249	FT. TWO LAMP BULB FAILURE MODULE (90 ON)	2
	DBC-10919	RR BULB FAILURE MODULE	2

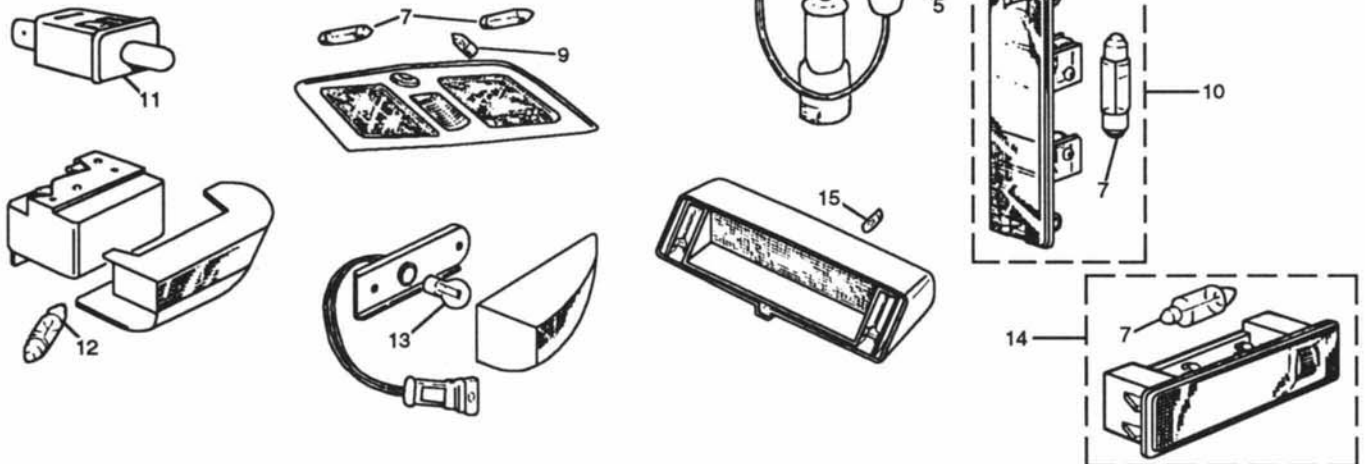


ASK US ABOUT OUR USED PARTS PROGRAM

XJ40 Electrical

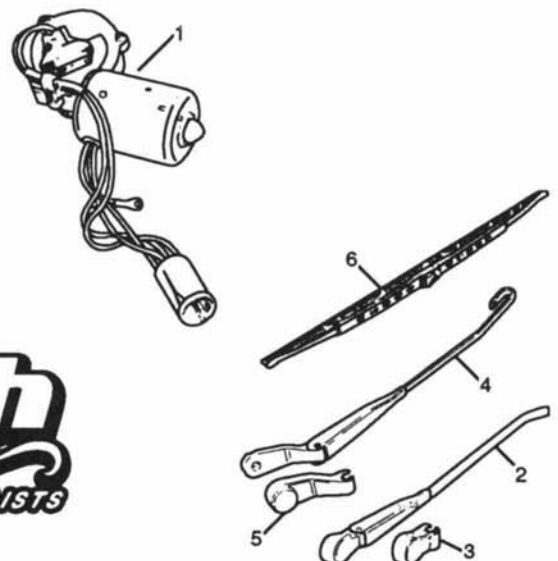
INTERIOR LIGHTING

#	PART #	DESCRIPTION	QTY. REQ.
1.	DBC-8585	UNDERHOOD LAMP (TO VIN #667828)	2
2.	JLM-9601	BULB	
3.	DBC-10212	UNDERHOOD LAMP (VIN #667829 ON)	2
4.	LLB-207	BULB	2
5.	DBC-2016	SWITCH (TO VIN #667828)	1
	DBC-10682	SWITCH (VIN #667829 ON)	1
6.	DBC-2132	TRUNK LAMP (TO VIN #551239)	1
	DBC-5013	TRUNK LAMP (VIN #551240 TO 667828)	1
	DAC-1185	TRUNK LAMP (VIN #667829 ON)	1
7.	LLB-258	BULB	A/R
9.	LLB-989	MAP LAMP BULB	1
10.	DAC-8490	GLOVE BOX LAMP	4
11.	DBC-2660	GLOVE BOX LAMP SWITCH	2
12.	LLB-258	COURT. LAMP BULB (TO 1993) (NOT VDP)	4
13.	LLB-233	COURTESY LAMP BULB (TO 1993) (VDP)	4
14.	DBC-3168	BLACK RIM HEADREST LAMP	2
15.	LLB-501	THIRD BRAKE LAMP BULB	4



WINDSHIELD WIPERS

#	PART #	DESCRIPTION	QTY. REQ.
1.	DBC-3145-R	REBUILT WIPER MOTOR	1
	BDC-3145-CR	CORE DEPOSIT REQUIRED	1
2.	DBC-1919	WIPER ARM (TO VIN #657729)	1
3.	DBC-3679	WIPER ARM NUT CVR. (TO VIN#657729)	1
4.	LMD-7005-AA	WIPER ARM (VIN #657730 ON)	1
5.	JLM-11005	WIPER ARM NUT CVR. (VIN #657730 ON)	1
6.	DBC-1917	WIPER BLADE (TO VIN #657729)	1
	DBC-3972	WIPER BLADE-WINTER (TO VIN #657729)	1
	GNA-8960-AA	WIPER BLADE (VIN #657730 ON)	1



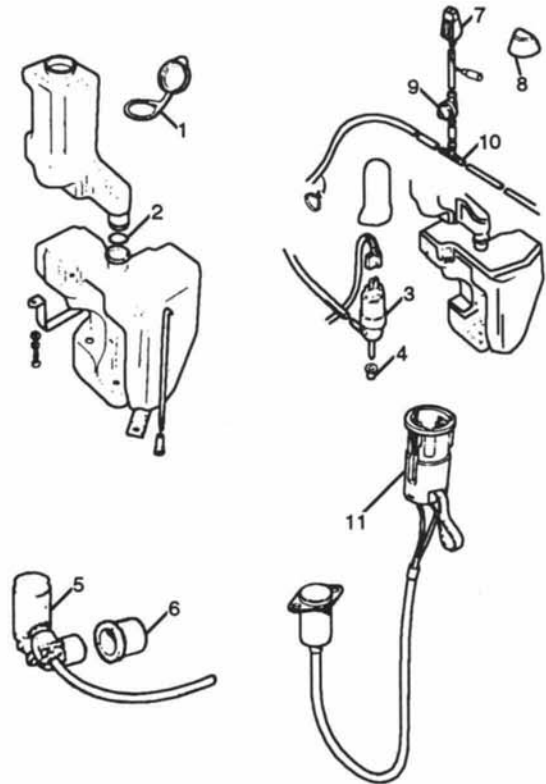
Welsh
ENTERPRISES
INC. *Jaguar*
SPECIALISTS

ASK US ABOUT OUR USED PARTS PROGRAM

XJ40 Electrical

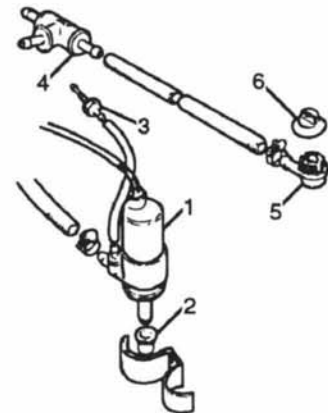
WINDSHIELD WIPERS

#	PART #	DESCRIPTION	QTY. REQ.
1.	DAC-4888	FILLER CAP (TO VIN #667829)	1
2.	JLM-1243	O-RING SEAL (TO VIN #667829)	1
3.	DBC-1989	W/WASHER PUMP (TO VIN #667828)	1
4.	BAU-2043	PUMP TO RESV. SEAL (TO VIN #667828)	1
5.	DBC-6796	W/WASHER PUMP (VIN #667829 ON)	1
6.	JLM-11228	PUMP TO RESV. SEAL (VIN #667829 ON)	1
7.	DBC-3068	WASHER JET (TO VIN #556850)	2
	DBC-5157	WASHER JET (VIN #556811 TO #594575)	2
	DBC-10827	WASHER JET (VIN #672880 ON)	2
8.	DBC-3781	JET COVER (TO VIN #556850)	2
	DBC-3784	JET COVER (VIN #556851 ON)	2
9.	DBC-1543	NON RETURN VALVE	2
10.	DBC-1541	TEE CONNECTOR (TO VIN #629285)	2
	DBC-6616	TEE CONNECTOR (VIN #629286 ON)	2
11.	DBC-2640	HEATED JET SENSOR (TO VIN #629285)	2
	DBC-5551	HEATED JET SENSOR (VIN #629286 ON)	2



HEADLAMP WASHERS

#	PART #	DESCRIPTION	QTY. REQ.
1.	DBC-2146	PUMP (TO VIN #629361)	1
	DBC-5758	PUMP (VIN #629362 ON)	1
2.	JLM-1240	GROMMET	1
3.	JLM-1241	CONNECTOR	1
4.	JRC-1492-J	TEE VALVE	1
5.	DBC-2127	RH JET (TO VIN #556850)	1
	DBC-2128	LH JET (TO VIN #556850)	1
	DBC-2125	RH JET (VIN #55685 TO #594575)	1
	DBC-2126	LH JET (VIN #55685 TO #594575)	1
	DBC-4350	RH JET (VIN #594576 ON)	1
	DBC-4349	LH JET (VIN #594576 ON)	1
6.	DBC-2326	JET COVER	2



*"...what was one of the world's better cars
has been substantially improved."*

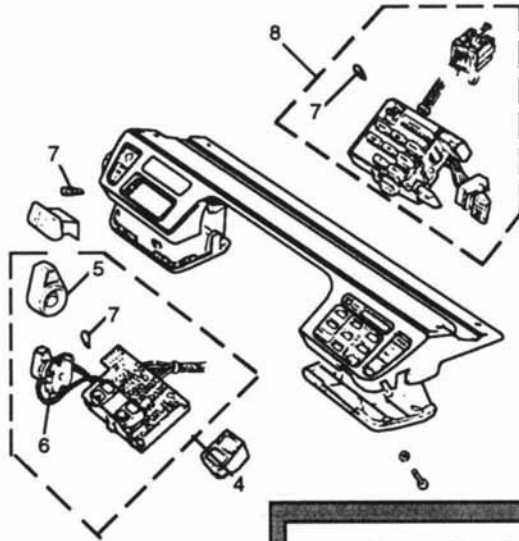
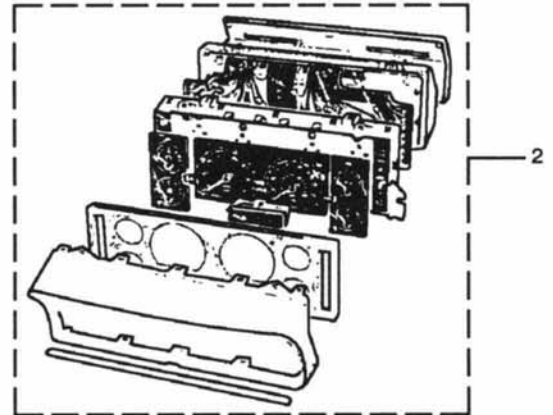
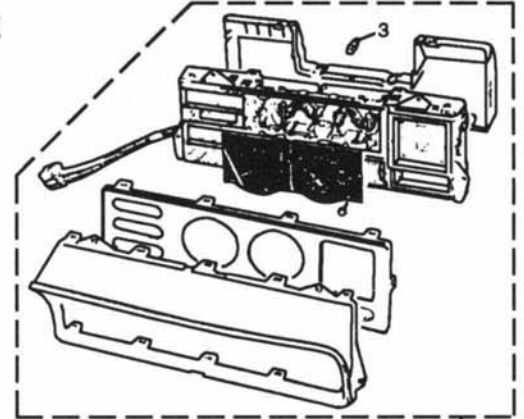
CAR AND DRIVER, January 1987

an early review of the XJ40

XJ40 Electrical

INSTRUMENT MODULE, FACIA PANEL, SWITCH/CLOCK MODULE

#	PART #	DESCRIPTION	QTY. REQ.
1.	DBC-4839-R	INSTRUMENT CLUSTER, REB. (DIGITAL)	1
	DBC-4839-CR	CORE DEPOSIT REQUIRED	1
2.	DBC-5398	INSTRUMENT CLUSTER, NEW (ANALOG)	1
	DBC-5396-R	INSTRUMENT CLUSTER, REBUILT	1
	DBC-5398-CR	CORE DEPOSIT REQUIRED	1
3.	LLB-501	BULB	A/R
4.	JLM-1208	LIGHT. LOGIC ASSY. (TO VIN #556850)	1
	JLM-1751	LIGHT. LOGIC ASSY. (VIN #556851 TO #667828)	1
	JLM-11354	LIGHT. LOGIC ASSY. (VIN #667829 ON)	1
5.	JLM-1213	LIGHT SWITCH KNOB (TO VIN #667828)	1
	JLM-11198	LIGHT SWITCH KNOB (VIN #667829 ON)	1
6.	JLM-11178	LIGHT SWITCH (VIN #667829 ON)	1
7.	JLM-286	CLEAR BULB	A/R
8.	JLM-1206	TRIP COMPUTER (TO VIN #667828)	1
	JLM-11175	TRIP COMPUTER (VIN #667829 ON)	1
9.	JLM-1457	SWITCH/CLOCK MOD. (TO VIN #556850)	1
	JLM-1730	SWITCH/CLOCK MOD. (VIN #556851 TO #629361)	1
	DBC-6161	SWITCH/CLOCK MOD. (VIN #629362 TO #667828)	1
	DBC-6416	SWITCH/CLOCK MOD. (VIN #667829 ON)	1



*"... the feline crouch and hunting,
head-down stance remain, and there is no
question it's a Jaguar."*

ROAD & TRACK, January 1987

an early review of the XJ40

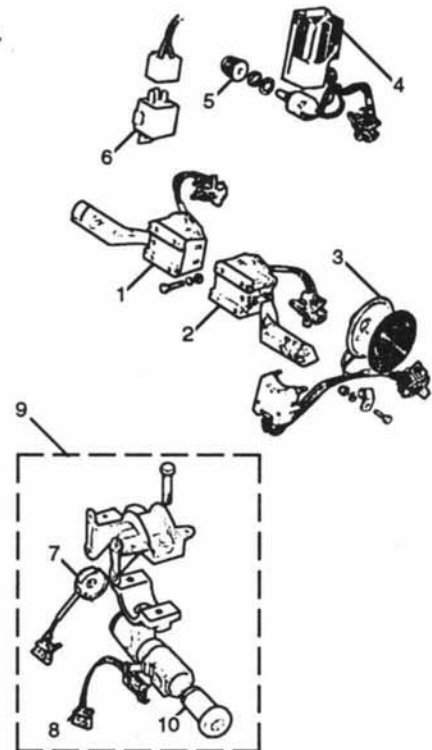


ASK US ABOUT OUR USED PARTS PROGRAM

XJ40 Electrical

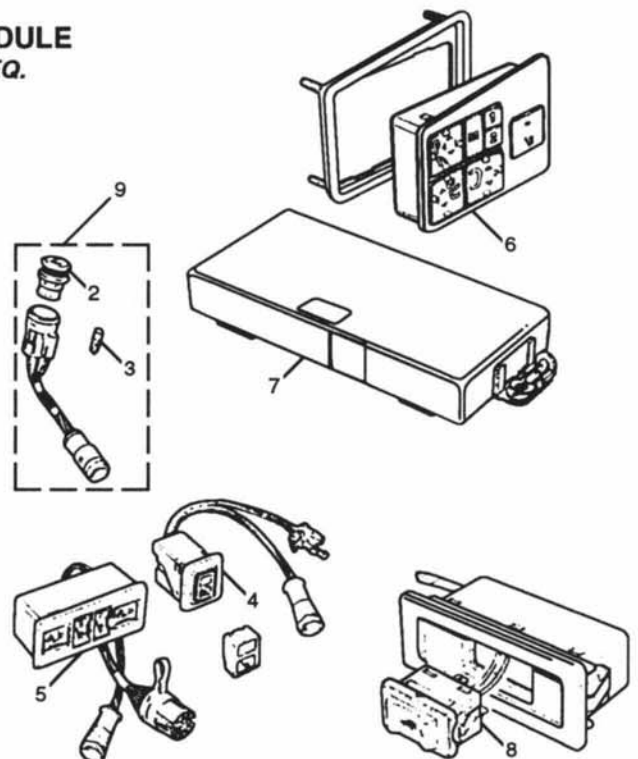
STEERING COLUMN SWITCHES

#	PART #	DESCRIPTION	QTY. REQ.
1.	JLM-504	TURN SIG. SWITCH (TO VIN #594575)	1
	JLM-1997	TURN SIG. SWITCH (VIN #594576 TO #667828)	1
	JLM-11166	TURN SIG. SWITCH (VIN #667829 TO #687218)	1
2.	LMD-6455-AA	TURN SIG. SWITCH (VIN #687219 ON)	1
	JLM-505	W/S WIPER SWITCH (TO VIN #667828)	1
	JLM-11167	W/S WIPER SWITCH (VIN #667829 TO #687218)	1
3.	LMD-6460-AA	W/S WIPER SWITCH (VIN #687219 ON)	1
	JLM-506	TURN SIG. SPEAK. MOD. (TO #594575)	1
	JLM-1990	TURN SIG. SPEAKER (VIN #594576 TO #667828)	1
4.	JLM-11172	TURN SIG. SPEAKER (VIN #667829 TO #687218)	1
	LMD-2280-AA	TURN SIG. SPEAKER (VIN #617219 ON)	1
	JLM-1996	INSTR. LIGHT DIMMER (TO VIN #629285)	1
5.	JLM-10554	INSTR. LIGHT DIMMER (VIN #629286 TO #667828)	1
	JLM-11170	INSTR. LIGHT DIMMER (VIN #667829 TO #687218)	1
	LMD-6490-AA	INSTR. LIGHT DIMMER (VIN #687219 ON)	1
6.	DBC-2650	KNOB (TO VIN #667828)	1
	DBC-10387	KNOB (VIN #667829 ON)	1
7.	DBC-5167	"LIGHT ON" WARN. MOD. (TO #594575)	1
	DBC-5453	"LIGHT ON" WARN. MOD. (VIN #594576 TO 667829)	1
8.	DBC-2392	IGNITION SWITCH (TO VIN #594575)	1
	JLM-1982	IGNITION SWITCH (VIN #594575 TO #629285)	1
	DBC-5675	IGNITION SWITCH (VIN #629286 ON)	1
9.	DBC-2018	KEY BUZZER SWITCH (TO VIN #594575)	1
	CBC-4167	STEER. COLUMN LOCK (TO VIN #594575)	1
	BEC-10283	STEER. COLUMN LOCK (VIN #594576 TO #667828)	1
10.	BEC-13580	STEER. COLUMN LOCK (VIN #667828 ON)	1
	JLM-1983	LOCK BARREL W/KEY (VIN #594576 TO #667829)	1



CIGAR LIGHTER, CONSOLE SWITCHES & CONTROL MODULE

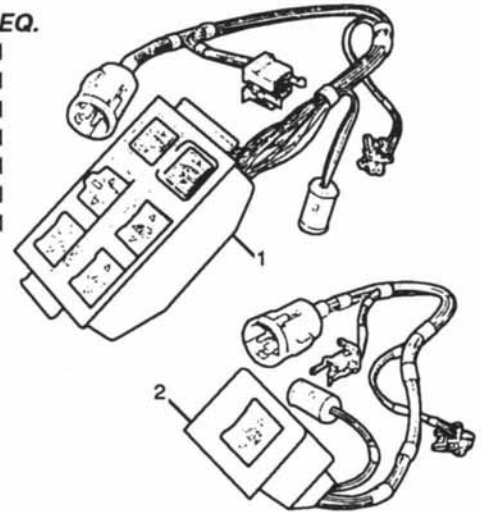
#	PART #	DESCRIPTION	QTY. REQ.
1.	JLM-860	CIGAR LIGHTER ASSY. (TO VIN #629285)	1
	DBC-6675	CIGAR LIGHTER ASSY. (VIN #629285 ON)	1
2.	DBC-3045	CIGAR LIGHTER ELEMENT (TO #676379)	1
	DBC-12119	CIGAR LIGHTER ELEMENT (#676380 ON)	1
3.	DAC-1836	POWER ADAPTER	1
	LLB-286	BULB	1
4.	DBC-4870	RH SEAT HEATER SWITCH (TO #629285)	1
	DBC-4871	LH SEAT HEATER SWITCH (TO #629285)	1
5.	DBC-6458	RH SEAT HEATER SWITCH (#629286 ON)	1
	DBC-6459	LH SEAT HEATER SWITCH (#629286 ON)	1
6.	DBC-2296	RH SEAT SWITCH (TO VIN #667828)	1
	DBC-2297	LH SEAT SWITCH (TO VIN #667828)	1
7.	DBC-11322	RH SEAT SWITCH (VIN #667829 ON)	1
	DBC-11326	LH SEAT SWITCH (VIN #667829 ON)	1
8.	LHB-2165-AA	SEAT CONTROL MODULE	1
	DBC-5028	TRUNK RELEASE SWITCH	1



XJ40 Electrical

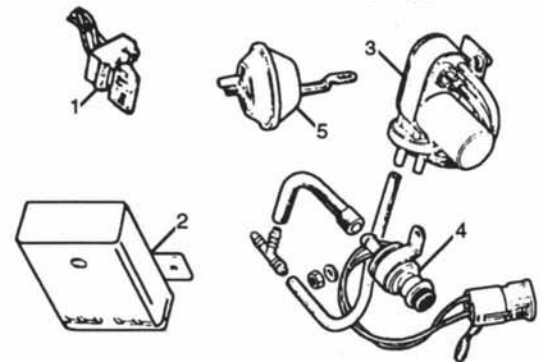
DOOR PANEL SWITCHES

#	PART #	DESCRIPTION	QTY. REQ.
1.	DBC-2887	LHF WINDOW/MIRROR SWITCH (TO VIN #594575)	1
	DBC-5137	LHF WINDOW/MIRROR SWITCH (VIN #594576 TO 667828)	1
	DBC-6481	LHF WINDOW/MIRROR SWITCH (VIN #667829 ON)	1
2.	DBC-3091	WINDOW SWITCH (TO VIN #541364)	1
	DBC-3212	WINDOW SWITCH (VIN #541365 TO #667828)	1
	DBC-6178	RH WINDOW SWITCH (VIN #667829 ON)	1
	DBC-6177	LHR WINDOW SWITCH (VIN #667829 ON)	1



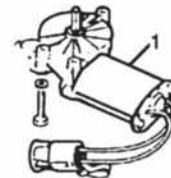
CRUISE CONTROL

#	PART #	DESCRIPTION	QTY. REQ.
1.	JLM-11481	SWITCH	1
2.	DBC-1169	CONTROL MODULE (TO VIN #667828)	1
	DBC-1169-R	CONTROL MODULE - REBUILT	1
	DBC-1169-CR	CORE DEPOSIT REQUIRED	1
	DBC-5608	CONTROL MODULE (VIN #667829 ON)	1
3.	DBC-3722	PUMP	1
4.	DBC-5667	DUMP VALVE (TO VIN #629285)	1
	DAC-7237	DUMP VALVE (VIN #629286 ON)	1
5.	DBC-2641	ACTUATOR	1



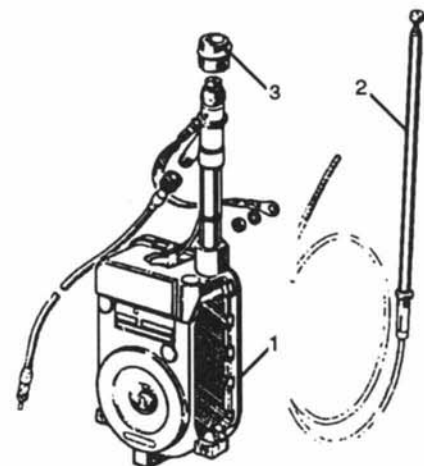
SUNROOF MOTOR

#	PART #	DESCRIPTION	QTY. REQ.
1.	JLM-1268	SUNROOF MOTOR (TO VIN #667828)	1



ANTENNA

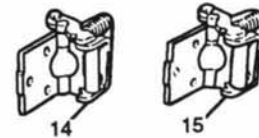
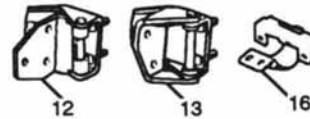
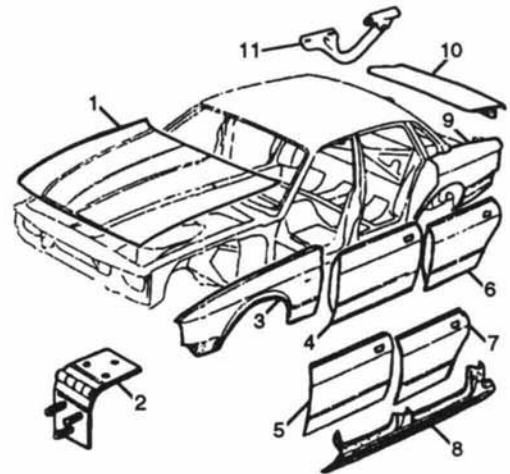
#	PART #	DESCRIPTION	QTY. REQ.
1.	DBC-1868	ANTENNA (TO VIN #667828)	1
	LMD-4120-AA	ANTENNA (VIN #667829 ON)	1
2.	DBC-2200	ANTENNA MAST (1988 TO 1993)	1
3.	DBC-2246	GROMMET	1



XJ40 Body

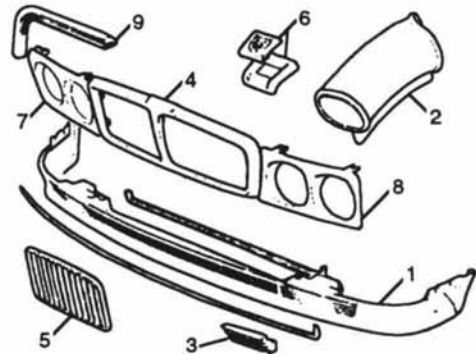
BODY PANELS & HINGES

#	PART #	DESCRIPTION	QTY. REQ.
1.	CAP-566	BONNET (HOOD)	1
2.	CAP-1326	BONNET HINGE	2
3.	CAP-520	RHF FENDER	1
	CAP-521	LHF FENDER	1
4.	CAP-1268	RHF DOOR SHELL (TO VIN #594575)	1
	CAP-1269	LHF DOOR SHELL (TO VIN #594575)	1
5.	JLM-234	RHF DOOR SKIN (TO VIN #594575)	1
	JLM-11026	RHF DOOR SKIN (VIN 594576 TO 687218)	1
	JLM-235	LHF DOOR SKIN (TO VIN #594575)	1
	JLM-11027	LHF DOOR SKIN (VIN #594576 TO 687218)	1
6.	CAP-1266	RHR DOOR SHELL (TO VIN #594575)	1
	CAP-1267	LHR DOOR SHELL (TO VIN #594575)	1
7.	JLM-236	RHR DOOR SKIN (TO VIN #594575)	1
	JLM-11028	RHR DOOR SKIN (VIN 594576 TO 687218)	1
	JLM-237	LHR DOOR SKIN (TO VIN #594575)	1
	JLM-11029	LHR DOOR SKIN (VIN 594576 TO 687218)	1
8.	JLM-1402	RH OUTER SILL	1
	JLM-1403	LH OUTER SILL	1
9.	CAP-516	RHR FENDER	1
	CAP-517	LHR FENDER	1
10.	CAP-567	BOOT (TRUNK) LID	1
11.	CAP-450	RH BOOT LID HINGE	1
	CAP-451	LH BOOT LID HINGE	1
12.	CAP-5204	RHF UPPER DOOR HINGE	1
	CAP-5205	LHF UPPER DOOR HINGE	1
13.	CAP-1332	RHR UPPER DOOR HINGE	1
	CAP-1333	LHR UPPER DOOR HINGE	1
14.	CAP-5224	RHF LOWER DOOR HINGE	1
	CAP-5225	LHF LOWER DOOR HINGE	1
15.	CAP-5224	RHR LOWER DOOR HINGE	1
	CAP-5225	LHR LOWER DOOR HINGE	1
16.	BDC-6860	FUEL FILTER LID HINGE (TO #629285)	1
	BEC-8102	FUEL FILTER LID HINGE (VIN 629286 ON)	1
17.	BBC-2856	BONNET STRUT	2
	BCC-7281	TRUNK LID STRUT	2



SPOILER, GRILLE

#	PART #	DESCRIPTION	QTY. REQ.
1.	BDC-7042	SPOILER (TO VIN #667828)	1
	BEC-5616	SPOILER (VIN # 667829 ON)	1
2.	BBC-4938	RH COOLING DUCT (TO VIN #667828)	1
	BBC-4939	LH COOLING DUCT (TO VIN #667829)	1
3.	BAC-6646	RH DUCT GRILLE (TO VIN #667828)	1
	BAC-6647	LH DUCT GRILLE (TO VIN #667829)	1
4.	BBC-9016	RADIATOR GRILLE SURROUND	1
	BBC-9016	RAD. GRILLE ASSY. (AFTER MARKET)	1
5.	BBC-8898	RH GRILLE VANE ASSEMBLY	1
	BBC-8899	LH GRILLE VANE ASSEMBLY	1
6.	BBC-4770	GRILLE BADGE	1
7.	BBC-5692	RH HEAD LAMP BEZEL	1
8.	BBC-5693	LH HEAD LAMP BEZEL	1
9.	BDC-9046	BEZEL FINISHER	2

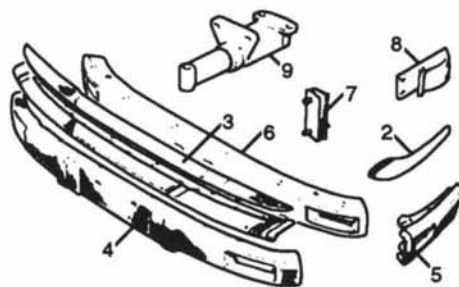


ASK US ABOUT OUR USED PARTS PROGRAM

XJ40 Body

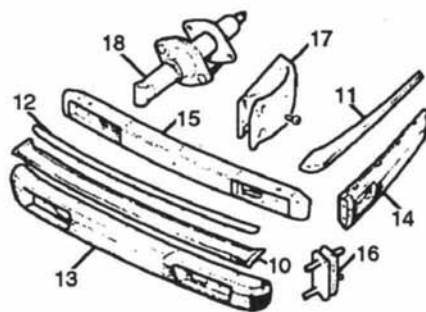
FRONT BUMPER

#	PART #	DESCRIPTION	QTY. REQ.
1.	BCC-7286	CENTER BLADE - NO WASH. JET HOLES	1
	BEC-8992	CENTER BLADE - W/WASH. JET HOLES	1
2.	BAC-6222	RH BLADE	1
	BAC-6223	LH BLADE	1
3.	BAC-6224	FINISHER	1
4.	BBC-8988	COVER	1
5.	BBC-7096	RH SIDE BEAM AND COVER	1
	BBC-7097	LH SIDE BEAM AND COVER	1
6.	BCC-3645	BEAM	1
7.	BBC-2298	MOUNTING BLOCK	2
8.	BBC-7087	GUIDE BLOCK	2
9.	BCC-8283	STRUT (TO VIN #667828)	2
	BDC-4637	STRUT (VIN #667829 ON)	2



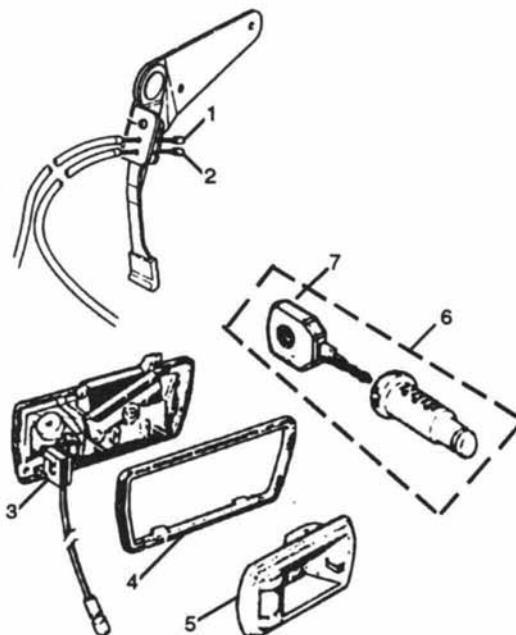
REAR BUMPER

#	PART #	DESCRIPTION	QTY. REQ.
10.	BCC-7300	CENTER BLADE	1
11.	BCC-7298	RH BLADE	1
	BCC-7299	LH BLADE	1
12.	BAC-6301	FINISHER	1
13.	BBC-9492	COVER	1
14.	BCC-3716	RH SIDE BEAM COVER	1
	BCC-3717	LH SIDE BEAM COVER	1
15.	BCC-3646	BEAM	1
16.	BBC-2298	MOUNTING BLOCK	2
17.	BBC-7088	GUIDE BLOCK	2
18.	BDC-3168	STRUT	2



BONNET RELEASE CABLES, DOOR HANDLES

#	PART #	DESCRIPTION	QTY. REQ.
1.	BBC-5092	LEFT HAND BONNET RELEASE CABLE	1
2.	BBC-5093	RIGHT HAND BONNET RELEASE CABLE	1
3.	BDC-4320	RHF OTR. DOOR HANDLE (TO #594575)	1
	JLM-2043	RHF OTR. DOOR HANDLE (VIN #594576 ON)	1
	BDC-4321	LHF OTR. DOOR HANDLE (TO #594575)	1
	JLM-2044	LHF OTR. DOOR HANDLE (VIN #594576 ON)	1
	BCC-7238	RHR OTR. DOOR HANDLE (TO #594575)	1
	BEC-5590	RHR OTR. DOOR HANDLE (VIN #594576 ON)	1
	BCC-7239	LHR OTR. DOOR HANDLE (TO #594575)	1
	BEC-5591	LHR OTR. DOOR HANDLE (VIN #594576 ON)	1
4.	BBC-7491	OUT. DOOR HAND. GASK. (TO #594575)	4
5.	BBC-8644	RIGHT HAND INTERIOR HANDLE BEZEL	2
	BBC-8645	LH INTERIOR HANDLE BEZEL	2
6.	JLM-1783-SET	COMPLETE LOCK SET (VIN #594576 ON)	1
7.	JLM-1149	KEY BLANK (FLAT STYLE)	1

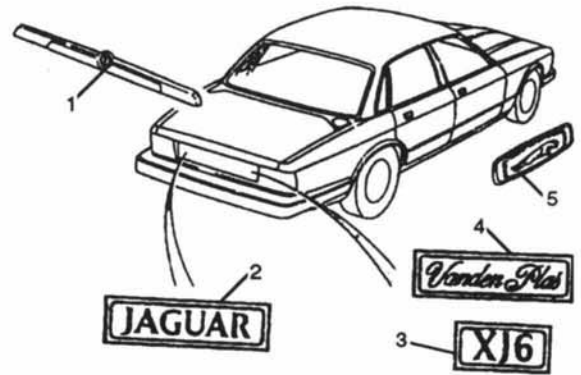


ASK US ABOUT OUR USED PARTS PROGRAM

XJ40 Body

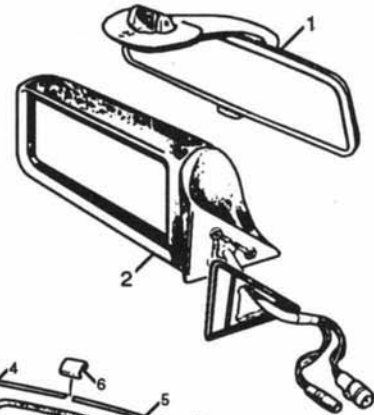
TRUNK TRIM & BADGES

#	PART #	DESCRIPTION	QTY. REQ.
1.	BEC-9102	TRUNK LOCK FINISHER	1
2.	BCC-3636	"JAGUAR" MOTIF	1
3.	BBC-9875	"XJ6 MOTIF	1
4.	BBC-9876	"VANDEN PLAS" MOTIF	1
5.	BBC-2864	RH FENDER MOTIF	1
	BBC-2865	LH FENDER MOTIF	1



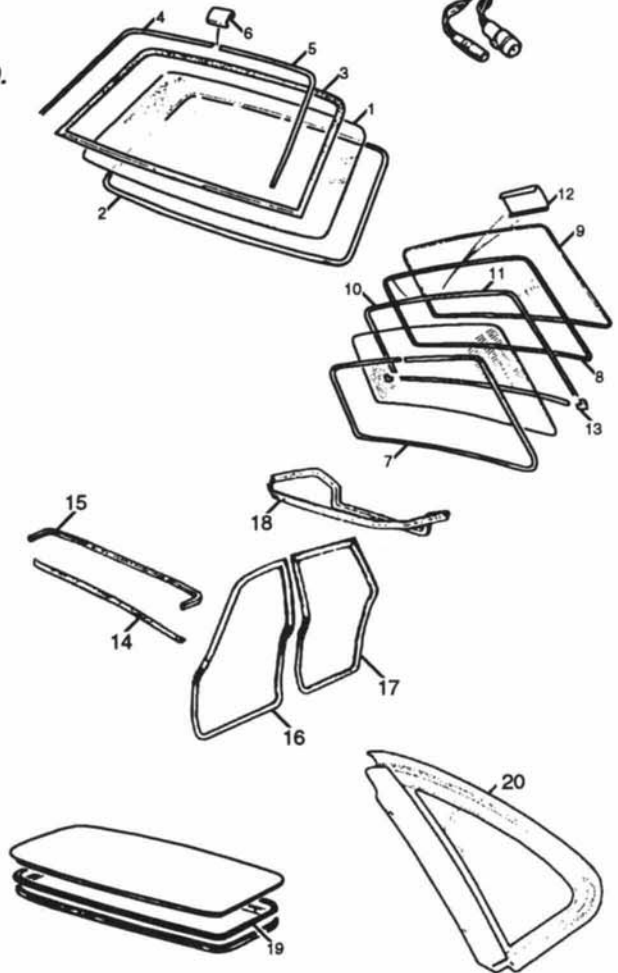
MIRRORS

#	PART #	DESCRIPTION	QTY. REQ.
1.	BCC-4090	INTERIOR REAR VIEW MIRROR	1
2.	BCC-4221	LH DOOR MIRROR (TO VIN #556851)	1
	BDC-3839	RH DOOR MIRROR (#556852 TO #667828)	1
	BDC-3838	LH DOOR MIRROR (TO VIN #667828)	1



WINDSHIELD, BACKGLASS, APERTURE SEALS

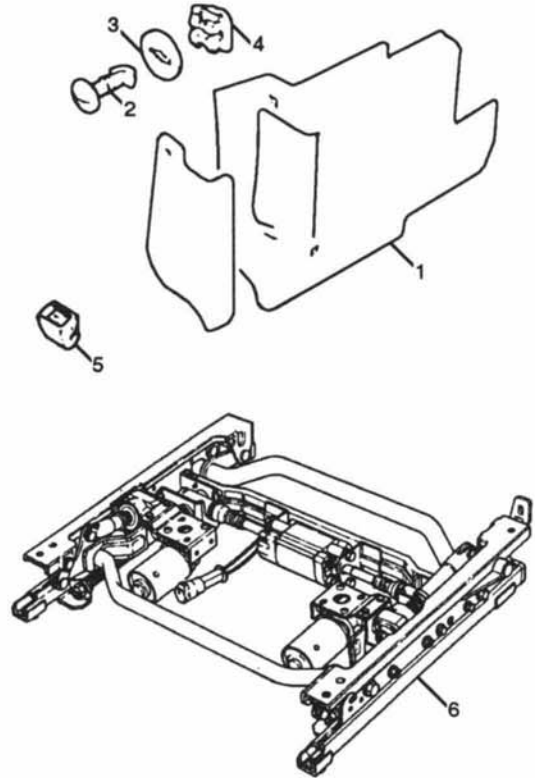
#	PART #	DESCRIPTION	QTY. REQ.
1.	FCW-552	WINDSHIELD (TO VIN #594575)	1
	FCW-652	WINDSHIELD (VIN #594576 ON)	1
2.	BCC-2626	WINDSHIELD/BODY SEAL (TO #667828)	1
	BEC-25457	WINDSHIELD/BODY SEAL (#667829 ON)	1
3.	BCC-9213	FINISHER RETAINER STRIP (TO #667828)	1
	BEC-25260	FINISH. RET. STRIP (#667829 TO 687219)	1
	GMB-8865-AB	FINISHER RETAINER STRIP (#687219 ON)	1
4.	BAC-5090	RH FINISHER (TO VIN #530211)	1
	BEC-18124	RH FINISHER (VIN #530212 ON)	1
5.	BAC-5091	LH FINISHER (TO VIN #530211)	1
	BEC-18125	LH FINISHER (VIN #530212 ON)	1
6.	BAC-5098	JOINT CLIP (TO VIN #530211)	1
	BCC-5055	JOINT CLIP (VIN #530212 ON)	1
7.	BCC-2626	BACKGLASS TO BODY SEAL	1
8.	BBC-8599	INNER SEAL (TO VIN #560459)	1
	BCC-9214	RETAINER (VIN #560460 ON)	1
9.	BBC-5889	SEAL INSERT (TO VIN #560459)	1
10.	BEC-18120	RH UPPER FINISHER	1
11.	BEC-18121	LH UPPER FINISHER	1
12.	BAC-5098	JOINT CLIP	1
13.	BCC-8258	CORNER CLIP	2
14.	BBC-4216	FT BONNET SEAL (TO VIN #667828)	1
	BEC-11370	FT BONNET SEAL (VIN #667829 ON)	1
15.	BEC-9009	RR BONNET SEAL	1
16.	BEC-1744	LHF OR RHF DOOR SEAL	1
17.	BCC-4842	RHR DOOR SEAL	1
	BCC-4843	LHR DOOR SEAL	1
18.	BEC-10747	TRUNK LID SEAL	1
19.	BBC-6189	SUN ROOF SEAL	1
20.	BDC-5324	RHR TRIPLEX QUARTER GLASS	1
	BDC-5325	LHR TRIPLEX QUARTER GLASS	1



XJ40 Interior Trim

INTERIOR TRIM

#	PART #	DESCRIPTION	QTY. REQ.
1.	BBC-4766	LH INSP. COVER (TO VIN #556851)	1
2.	AGU-1877	TURN BUCKLE STUD	1
3.	13H-6461-J	RETAINING WASHER	1
4.	13H-9166-J	RECEIVER	1
<p>NOTE: Add color suffix when ordering inspection covers and turnbuckles: AE - Biscuit AR - Buckskin AW - Barley CM - Mullberry JF - Isis Blue LY - Saville Gray LZ - Warm Chocolate XE - Doeskin ZM - Magnolia</p>			
5.	BD-47987	SUNVISOR SUPPORT CLIP - BLACK	2
	HMD-1084-AEE	SUNVISOR SUPPORT CLIP - DOESKIN	2
6.	BCC-8012	FT SEAT ADJUSTER (TO VIN #556851)	2



*"... world class handling, and ride,
 and refinement, all in one chassis."*
PERFORMANCE CARS, November 1986
 an early review of the XJ40

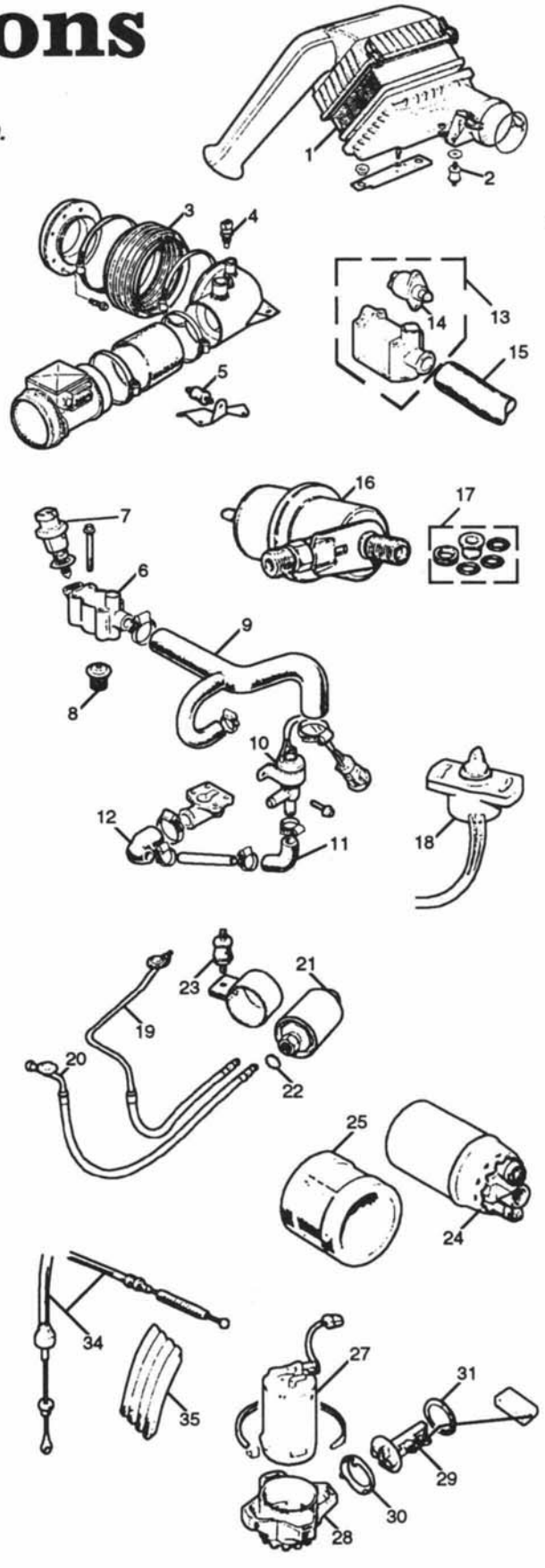


ASK US ABOUT OUR USED PARTS PROGRAM

XJ40 Fuel, Exhaust & Emissions

FUEL DELIVERY AND RETURN SYSTEM

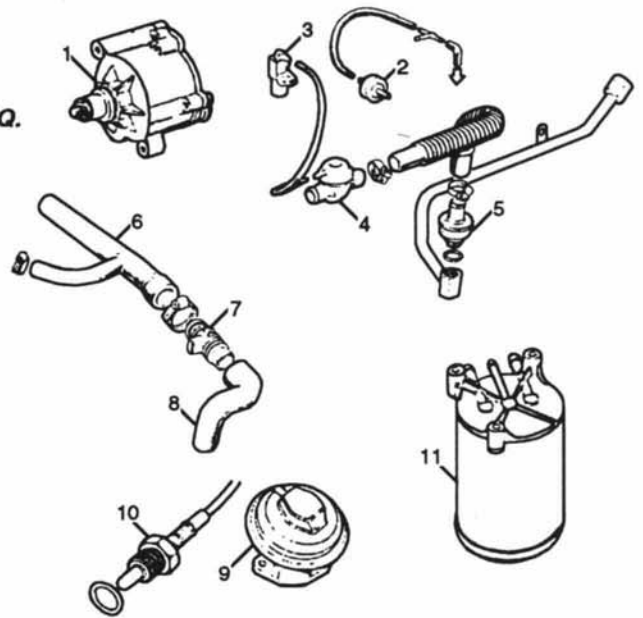
#	PART #	DESCRIPTION	QTY. REQ.
1.	EAC-5672	AIR FILTER	1
2.	EAC-8130	MOUNTING	2
3.	EAC-6370	TRUMPET TO AIRBOX HOSE	1
4.	73197	TEMP. SENSOR (TO VIN #667828)	1
	DBC-5051	TEMP. SENSOR (VIN #667829 ON)	1
5.	EAC-6805	MOUNTING	1
6.	EBC-1789	IDLE AIR VALVE (3.6L ENG. VIN #143565)	1
	EBC-2675	IDLE AIR VALVE (3.6L ENG. #143566 ON)	1
7.	JLM-1741	STEPPER MOTOR (3.6 LITER)	1
8.	EAC-9440	DECELERATION VALVE (3.6 LITER)	1
9.	EAC-8307	HOSE (3.6 LITER)	1
10.	EAC-7340	SUPPLEMENTARY AIR VALVE (3.6 LITER)	1
11.	EAC-6560	HOSE (3.6 LITER)	1
12.	EAC-6254	HOSE (3.6 LITER)	1
13.	DBC-5727	IDLE AIR VALVE (4.0 LITER)	1
14.	JLM-1987	STEPPER MOTOR (4.0 LITER)	1
15.	EBC-1481	HOSE (4.0 LITER)	1
16.	EBC-2606	PRESSURE REGULATOR	1
17.	EAC-5901	INJECTOR O-RING KIT	6
18.	EAC-7341	THROTTLE POTENTIOMETER (3.6 LITER)	1
	DBC-2626	THROTTLE POTENTIOMETER (4.0 LITER)	1
19.	CBC-2581	FUEL FEED HOSE (TO VIN #629285)	1
	EBC-8655	FUEL FEED HOSE (#629286 TO #667828)	1
	EBC-11225	FUEL FEED HOSE (VIN #667829 ON)	1
20.	CBC-2582	FUEL RETURN HOSE (TO VIN #629285)	1
	EBC-8643	FUEL RETURN HOSE (#629286 - #667828)	1
	EBC-10331	FUEL RETURN HOSE (VIN #667829 ON)	1
21.	CAC-9630	FUEL FILTER (TO VIN #629285)	1
	CBC-7083	FUEL FILTER (VIN #629286 ON)	1
22.	CAC-8968-2	O-RING (VIN #629286 ON)	1
23.	CBC-8522	MOUNTING	1
24.	GFP-317-FP	FUEL PUMP (TO VIN #629285)	1
25.	CBC-1489	MOUNTING SLEEVE	1
27.	EBC-11366-A	FUEL PUMP (VIN #629285 ON)	1
NOTE: This is the pump that fits inside the module shown in the illustration.			
28.	EBC-10124	MOUNTING RUBBER	1
29.	DBC-10284	FUEL LEVEL SENDER (TO VIN #629285)	1
	DBC-12042	FUEL LEVEL SENDER (VIN #629286 ON)	1
30.	C-22053	LOCK RING	1
31.	ARA-1502	GASKET	1
32.	EBC-4321	FILLER BOX (TO VIN #629285)	1
	BEC-7531	FILLER BOX (VIN #629286 ON)	1
33.	CBC-5292	FILLER CAP (TO VIN #629285)	1
	EBC-9416	FILLER CAP (VIN #629286)	1
34.	CBC-2619	ACCELERATOR CABLE (TO VIN #667828)	1
	CCC-5369	ACCELERATOR CABLE (VIN #667829 ON)	1
35.	C-45287	PEDAL PAD	1



XJ40 Fuel, Exhaust & Emissions

AIR INJECTION SYSTEM + ENGINE BREATHING

#	PART #	DESCRIPTION	QTY. REQ.
1.	EAC-8810	AIR PUMP	1
2.	EAC-2206	DELAY VALVE	1
3.	EAC-7905	SOLENOID VALVE	1
4.	EAC-5040	AIR SWITCHING VALVE	1
5.	EAC-5042	CHECK VALVE	1
6.	EAC-7418	HOSE - OIL FILLER TO HEAT. ELEMENT	1
7.	EAC-7991	HEATER ELEMENT	1
8.	EAC-7447	HOSE	1
9.	BEC-2737	EGR VALVE	1
10.	DBC-5034	EGR SENSOR	1
11.	CAC-6739	CHARCOAL CANISTER	1

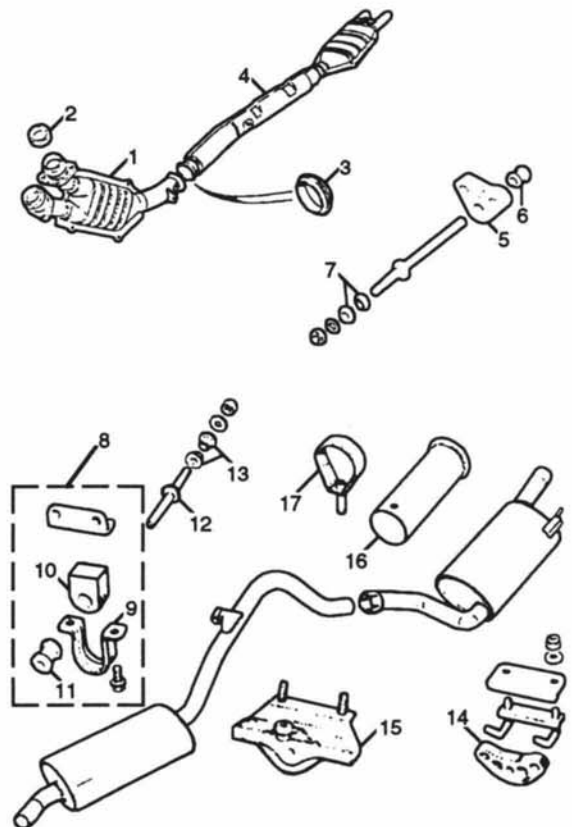


EXHAUST SYSTEM

#	PART #	DESCRIPTION	QTY. REQ.
1.	CBC-8104	FT. CAT. CONVERTER (TO VIN #594575)	1
	CBC-8767	FT. CAT. CONVERTER (VIN #594576 ON)	1
2.	C-18405-1	SEALING RING	2
3.	CAC-4336	SEALING RING	1
4.	CBC-8113	RR CAT. CONVERTER (TO VIN #594575)	1
	CBC-8766	RR CAT. CONVERTER (VIN #594576 ON)	1
5.	CBC-9103	MOUNTING RUBBER (VIN #594576 ON)	1
6.	C-38330	INSULATION BUSHING (VIN #594576 ON)	1
7.	C-44083	INSULATION COLLAR (VIN #594576 ON)	2
8.	NMB-6741-AA	EXHAUST PIPE MOUNT ASSEMBLY	2

NOTE: This Multi-part mount replaces all previous single part mounts.

9.	EBC-4213	CRADLE	2
10.	EBC-4499	MOUNTING RUBBER	2
11.	C-38330	INSULATION BUSHING	2
12.	CAC-3103	MOUNTING BAR	2
13.	C-44083	INSULATION COLLAR	4
14.	CBC-6514	TAILPIPE MOUNT (TO VIN #629285)	2
15.	EBC-4685	TAILPIPE MOUNT (VIN #629286 ON)	2
16.	CBC-7322	TAILPIPE EXTENSION	2
17.	CBC-8388	TAILPIPE EXTENSION CLAMP	2



ASK US ABOUT OUR USED PARTS PROGRAM