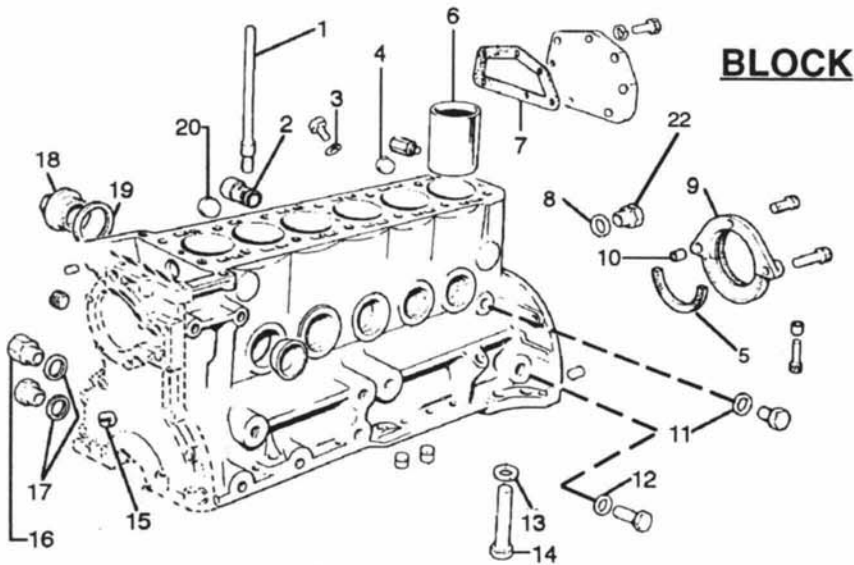


Table Of Contents

Engine.....	1-9
Transmission.....	10-11
Front Suspension.....	12-13
Rear Suspension.....	14-15
Steering and all components.....	16-17
Brakes and all components.....	18-20
Wheels.....	21
Fuel & Emissions.....	22-24
Exhaust.....	25
Heating & Cooling.....	26-30
Electrical items.....	31-39
Body Panels.....	41
Body Fittings.....	42-50





BLOCK

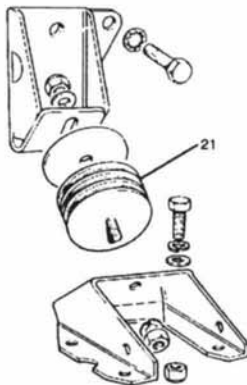
TECH NOTE: TORQUE WRENCH SETTINGS

ITEM	LBS-FT
CAM COVER DOME NUTS	7-8
CAMSHAFT BEARING CAPS	9
CONNECTING ROD- BIG END	35-37
CRANK DAMPEN CENTER BOLTS	125-150
CYLINDER HEAD NUTS	52-54
FLYWHEEL (FLEXPLATE)	63-67
MAIN BEARING CAPS	68-72
PULLEYS TO CRANK DAMPER	12-15
TORQUE CONVERTER	35 MAX.

ENGINE HARDWARE

NOTE: VIRTUALLY ALL THE BOLTS ON THE ENGINE ARE "UNF" THREAD PATTERN, THE BRITISH SPECIFICATION THAT IS VERY CLOSE TO U.S. SAE "FINE THREAD". BOLTS CAN BE SUBSTITUTED, HOWEVER, ON CRITICAL APPLICATIONS SUCH AS MAIN BEARING CAPS AND CONNECTING RODS, ONLY THE FACTORY-SPECIFICATION HARDWARE SHOULD BE USED. WHEN SUBSTITUTING U.S. BOLTS, MAKE SURE THAT YOU GET "GRADE 5" OR BETTER, GRADE 5 BOLTS ARE IDENTIFIED BY THREE LINES ON THE HEAD.

ENGINE MOUNT

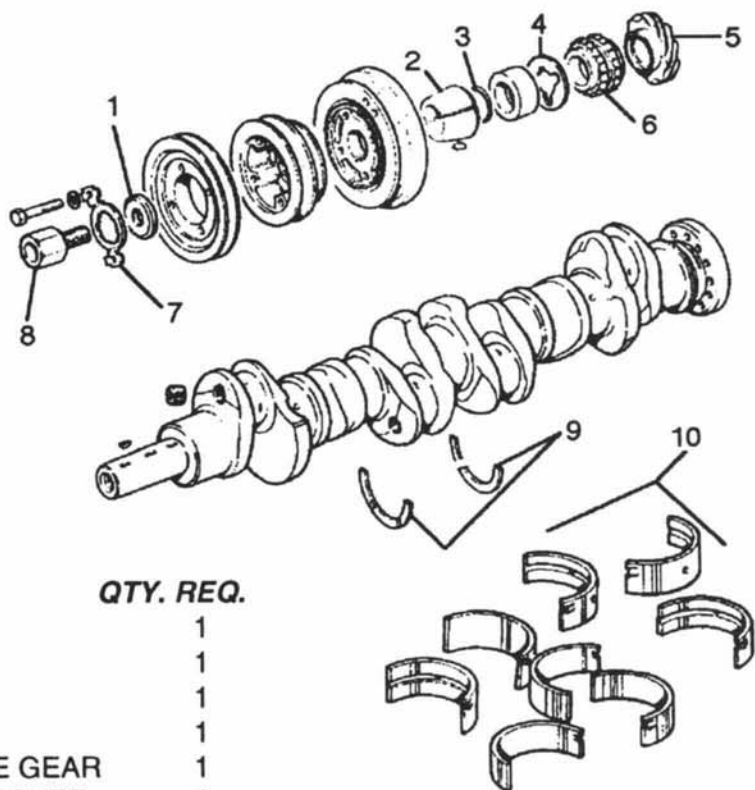


#	PART #	DESCRIPTION	QTY. REQ.
1.	* C-29035	HEAD STUD 6 1/2"	3
1A.	* C-38073	HEAD STUD 12 1/2"	3
1B.	HSK-FI6	COMPLETE HEAD STUD KIT	1
2.	C-8647	BUSH OIL PUMP DRIVE	1
3.	FW-104-E	COPPER WASHER	5
4.	C-16862-2	FREEZE PLUG	6
5.	** C-19654	REAR CRANKSHAFT SEAL (PAIR)	1
6.	C-21690	PISTON CYLINDER LINER	6
7.	** C-27877	GASKET, REAR BLOCK PLATE	1
8.	C-2296-2	COPPER WASHER	1
9.	C-19687	REAR SEAL HOUSING	1
10.	C-2373	DOWEL FOR SEAL CASING	2
11.	C-2296-3	COPPER WASHER	1
12.	C-4146	COPPER SEALING WASHER	1
13.	C-28082	WASHER MAIN BEARING BOLT	14
14.	C-2262	MAIN BEARING BOLT	14
15.	C-44034	FRONT OIL GALLERY PLUG	1
16.	C-22491	ENGINE PLUG	2
17.	C-2296-3	COPPER WASHER	6
18.	C-32276	BLOCK WATER PLUG	1
19.	C-2296-16	COPPER WASHER	1
20.	C-16862-5	FREEZE PLUG	2
21.	C-31116	MOTOR MOUNT	2
22.	C-2157	REAR OIL GALLERY PLUG	1

* OTHER STUDS AVAILABLE ONLY IN HEAD STUD KIT #HSK-F16

** INCLUDED IN GASKET SET GSK-103-A

ENGINE



CRANKSHAFT COMPONENTS

#	PART #	DESCRIPTION	QTY. REQ.
1.	C-2468	CRANK WASHER	1
2.	C-2466	CRANK CONE	1
3.	C-34065	O-RING	1
4.	C-23701	OIL SLINGER	1
5.	C-2314	DISTRIBUTOR DRIVE GEAR	1
6. **	C-2170	TIMING CHAIN SPROCKET	1
7.	C-23158	LOCK TAB CRANK PULLEY	1
8.	C-23424	CRANK BOLT	1
9.	VPW-180	THRUST WASHER SET STD.	1
9A.	VPW-125	THRUST WASHER +.004	1
9B.	VPW-180-5	THRUST WASHER +.005	1
10. *	VP-91167	MAIN BEARING SET	1

NOTE: When ordering main bearings add one of the following suffixes:

- STD. STANDARD SIZE
- 10 .010" UNDERSIZE
- 20 .020" UNDERSIZE
- 30 .030" UNDERSIZE
- 40 .040" UNDERSIZE

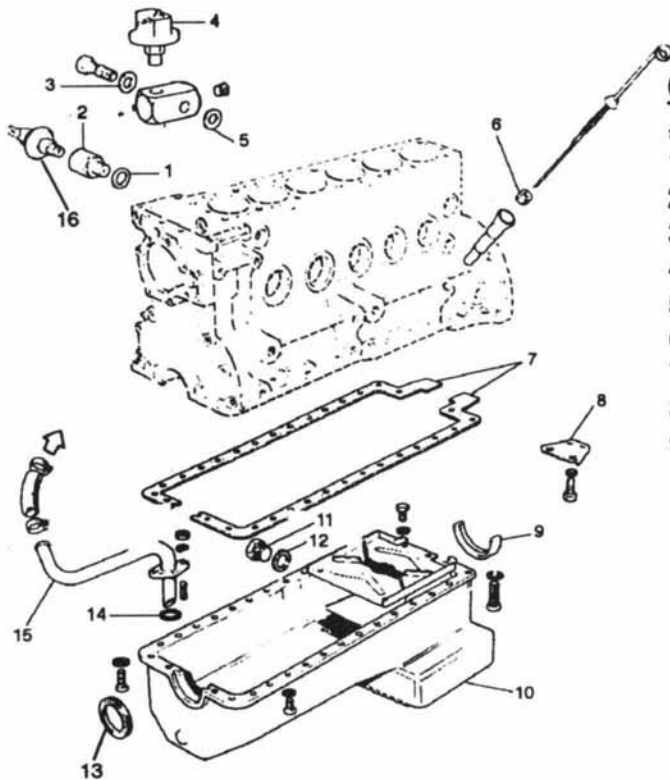
* AVAILABLE IN SETS ONLY

** ALSO AVAILABLE IN TIMING GEAR KIT PART# TGK-6

TECH NOTE:

ALTHOUGH BEARING SETS ARE AVAILABLE UP TO .040, JAGUAR DOES NOT RECOMMEND OVER .020 UNDERSIZE.



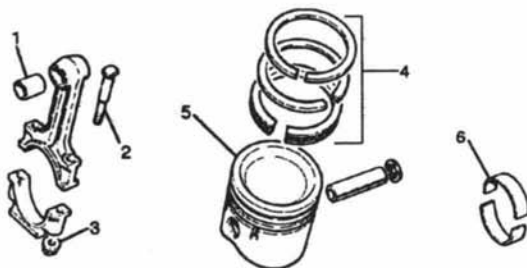


OIL PAN

#	PART #	DESCRIPTION	QTY. REQ.
1.	C-2296-3	COPPER WASHER	1
2.	C-22491	SWITCH ADAPTER	1
3.	C-2296-3	COPPER WASHER	1
4.	PTR-1001-10	OIL PRESSURE SENDING UNIT	1
5.	C-2296-3	COPPER WASHER	1
6.	C-42705	OIL DIP STICK SEAL	1
7.	* C-19590	PAN GASKET-PAIR	1
8.	EAC-1398	BRACKET	1
9.	* C-36499	REAR PAN SEAL	1
10.	EAC-1961	OIL PAN	1
11.	C-23435	OIL PAN PLUG	1
12.	C-2296-1	COPPER WASHER	1
13.*	EAC-8815	CRANKSHAFT SEAL FRONT	1
14.	C-19869	OIL RETURN PIPE O-RING	1
15.	EAC-1555	OIL DELIVERY TUBE	1
16.	PS-5320-6-03	OIL PRESS. WARNING SWITCH	1

*ITEMS INCLUDED IN GASKET SET PART# GSK-103-A

PISTON ASSEMBLY



#	PART #	DESCRIPTION	QTY. REQ.
1.	C-17164	WRIST PIN BUSHING	6
2.	C-32344	ROD BOLT	12
3.	EAC-5541	ROD NUT	12
4.	RA-39520-STD	PISTON RING SET STAND.	1
4A.	RA-39520-10	.010" OVERSIZE	1
4B.	RA-39520-20	.020" OVERSIZE	1
4C.	RA-39520-30	.030" OVERSIZE	1

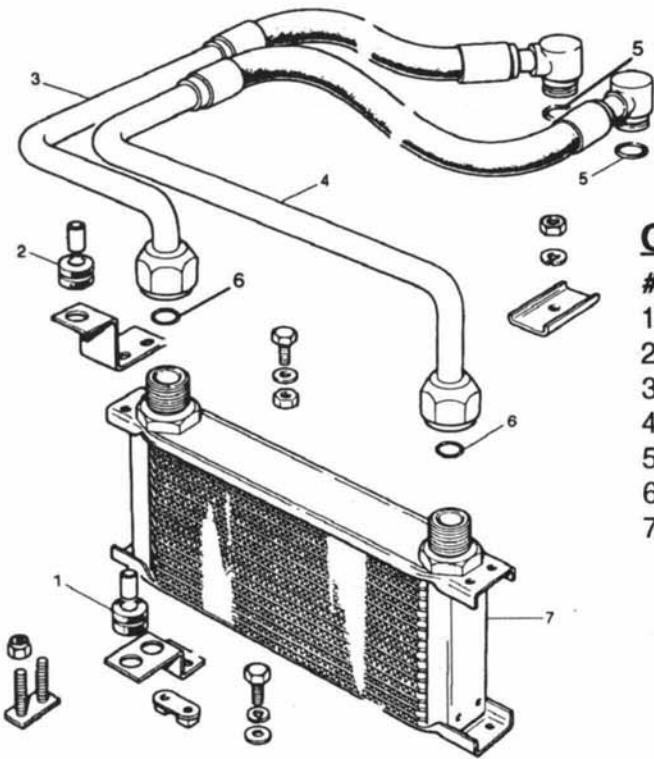
NOTE: PISTONS ARE COMPLETE WITH RINGS, WRIST PINS AND RETAINING CLIPS.

5.	AE-21380-STD	PISTON SET	1
5A.	AE-21380-10	.010" OVERSIZE	
5B.	AE-21380-20	.020" OVERSIZE	
5C.	AE-21380-30	.030" OVERSIZE	
5D.	AE-21380-40	.040" OVERSIZE	
6.	VP-91777-STD	ROD BEARING SET	1
6A.	VP-91777-10	.010" UNDERSIZE	
6B.	VP-91777-20	.020" UNDERSIZE	
6C.	VP-91777-30	.030" UNDERSIZE	
6D.	VP-91777-40	.040" UNDERSIZE	

TECH NOTE:

ATTEMPTING TO CHANGE THE REAR SEAL WITHOUT REMOVING THE CRANKSHAFT IS NOT RECOMMENDED, ALTHOUGH SOME MECHANICS HAVE DEVISED WAYS OF DOING SO WITH LIMITED SUCCESS. CHANGING THE SEAL IS A MAJOR OPERATION REQUIRING REMOVAL OF THE TRANSMISSION. IF YOUR ENGINE REQUIRES A SEAL, CONSIDER GOING OVER THE ENTIRE BOTTOM END — SOMETIMES A LEAKING SEAL IS A SIGN OF WORN MAIN BEARINGS.

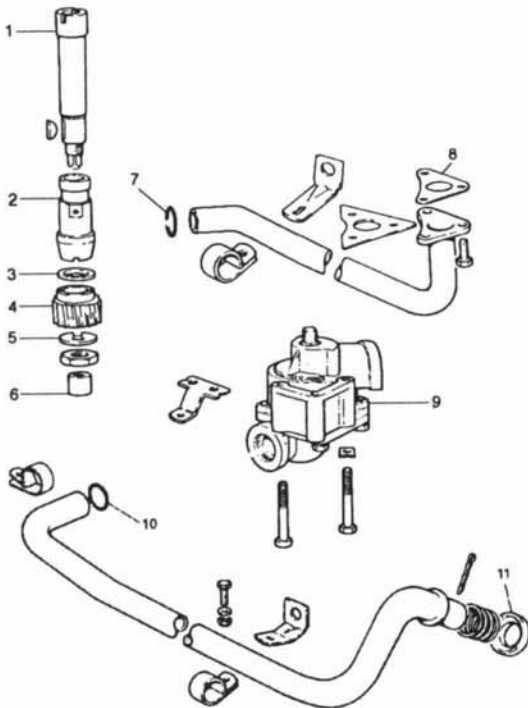
ENGINE



OIL COOLER

#	PART #	DESCRIPTION	QTY. REQ.
1.	C-29874	MOUNT FOR COOLER	4
2.	C-29874	MOUNT FOR COOLER	4
3.	CBC-1438	OIL COOLER RETURN HOSE	1
4.	CBC-1437	OIL COOLER DELIVERY HOSE	1
5.	CAC-5118	O-RING SEAL	2
6.	KRC-1160	O-RING SEAL	2
7.	* CAC-4540	OIL COOLER	1

* CARS PRIOR TO 1982 (VIN# 330666) NOT EQUIPPED WITH AN OIL COOLER



OIL PUMP

#	PART #	DESCRIPTION	QTY. REQ.
1.	C-8646	OIL PUMP DRIVE SHAFT	1
2.	C-8647	BUSH FOR SHAFT	1
3.	C-2393	WASHER	1
4. **	C-2152	OIL PUMP DRIVE GEAR	1
5.	C-2151	TAB WASHER FOR DRIVE GEAR	1
6.	C-8648	DRIVE SHAFT COUPLING	1
7. *	C-8649	O-RING FOR DELIVERY TUBE	1
8.	C-22598	GASKET FOR DELIVERY TUBE	1
9.	C-21765-2	OIL PUMP	1
10.*	C-21848	O-RING PICK UP TUBE	1
11.	C-21745	SEAL PLATE AT END OF TUBE	1

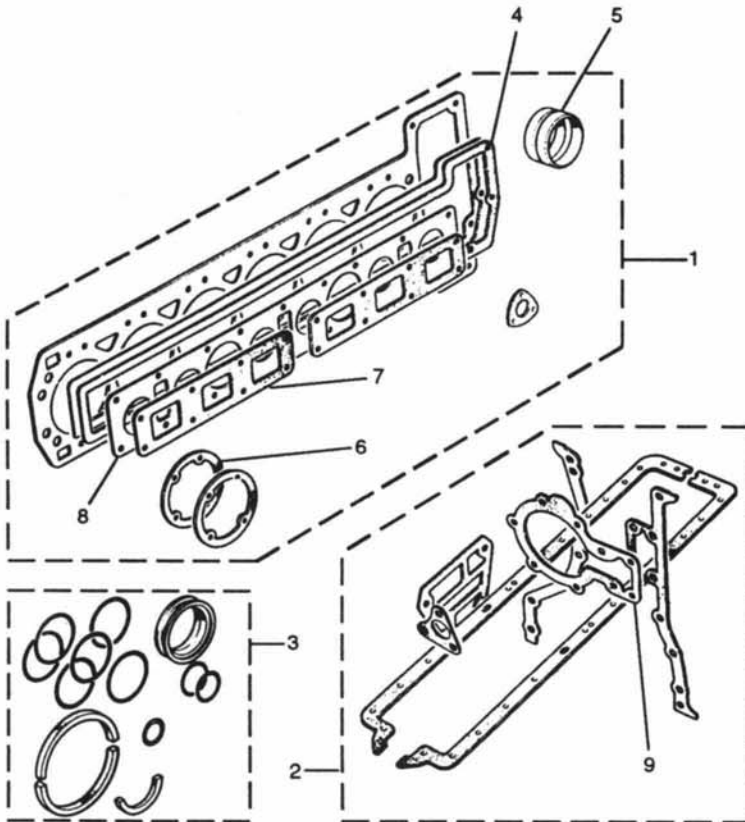
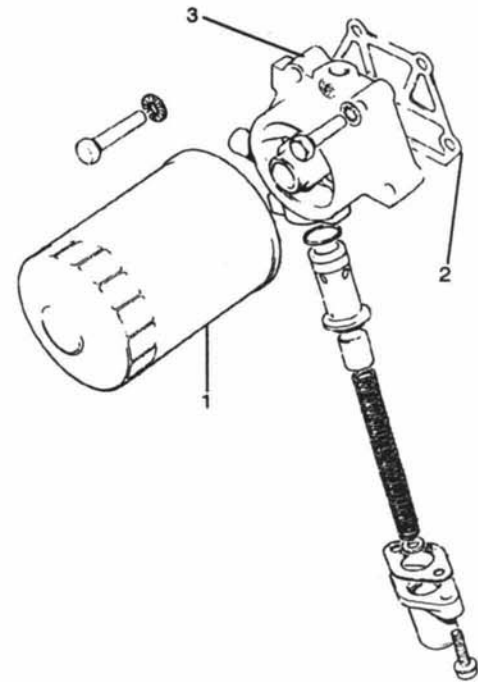
* ITEMS INCLUDED IN GASKET SET PART # GSK-103-A

** INCLUDED IN TGK-6 TIMING GEAR SET

OIL FILTER ASSEMBLY

#	PART #	DESCRIPTION	QTY. REQ.
1.	GFE-317	FILTER	1
2. *	EAC-2429	FILTER HEAD GASKET (VIN #330666 ON)	1
3.	EAC-2425	FILTER HEAD (VIN #330666 ON)	1

GASKETS IN GASKET SET GSK-103-A



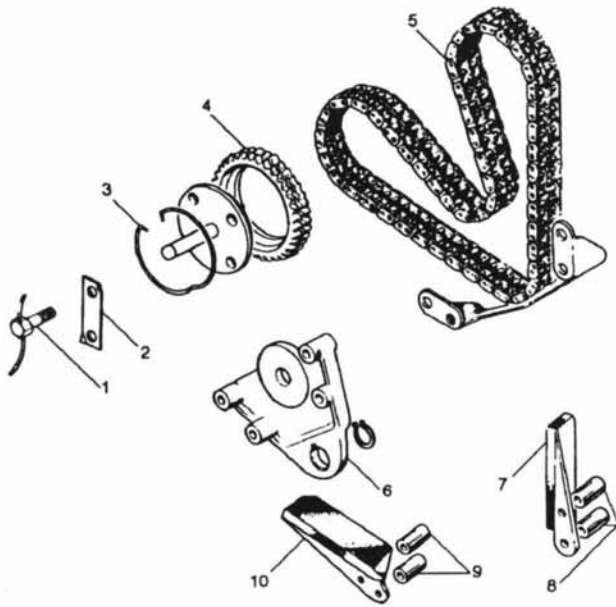
GASKET AND SEAL KITS

#	PART #	DESCRIPTION	QTY. REQ.
1.	GSK-123	HEAD GASKET SET	1
2.	GSK-103-A	PAN GASKET SET	1
3.	10527	SEAL SET	1
NOTE: SEAL SET INCLUDED IN GSK-103-A SET			
4.	EAC-5039	CAM COVER GASKET	2
5.*	C-18405-1	MANIFOLD TO EXH. SEAL	2
6.	C-2227	BREATHER GASKET	2
7.	C-2318	EXH MANIFOLD-HEAD GSK	2
8.	C-41247	INTAKE MANIFOLD GSK.	1
9.	C-28656	WATER PUMP GASKET	1

TECH NOTE:

GASKET SETS INCLUDE MORE SEALS AND GASKETS THAN ILLUSTRATED HERE. "HEAD" SET INCLUDES ALL GASKETS AND SEALS ON THE CYLINDER HEAD, INCLUDING THE HEAD GASKET. THE PAN GASKET SET INCLUDES ALL GASKETS AND SEALS ON THE ENGINE BLOCK. MANY OF THESE PARTS ARE AVAILABLE ONLY IN THE SETS.

ENGINE

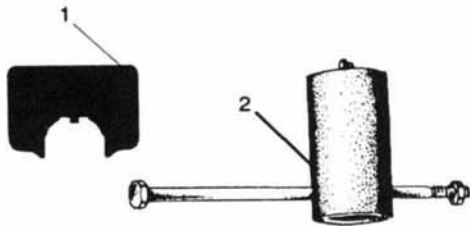


UPPER TIMING CHAIN

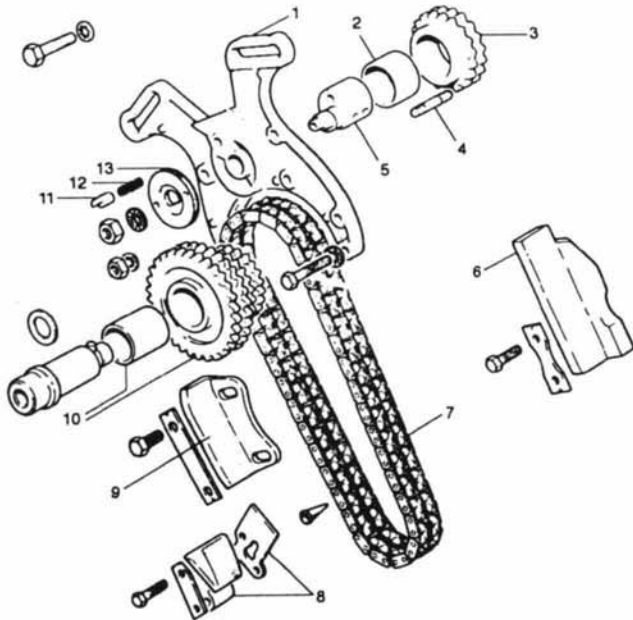
#	PART #	DESCRIPTION	QTY. REQ.
1.	C-33918	CAM GEAR BOLTS	8
2.	C-33917	BOLT LOCK TAB	4
3.	C-30767	TIMING GEAR LOCK WIRE	2
4. *	C-24686	CAM TIMING GEAR	2
5. **	C-2256	UPPER TIMING CHAIN	1
6.	C-21703	TIMING CHAIN BRACKET	1
7. **	C-13616	LH TOP CHAIN DAMPER	1
8.	C-21734	SPACING DOWELS	2
9.	C-21734	SPACING DOWELS	2
10.**	C-13617	RH TOP CHAIN DAMPER	1

* TIMING GEAR KIT PART # TKG-6 - ALSO INCLUDES C-2152 OIL PUMP DRIVE GEAR AND C-2170 TIMING CHAIN CRANKSHAFT SPROCKET.

** INCLUDED IN TIMING CHAIN GUIDE KIT PART #TCK-42.



#	PART #	DESCRIPTION	QTY. REQ.
1.	C-3993	CAM TIMING TOOL	1
2.	BLT-1001	CHAIN TENSIONING TOOL	1



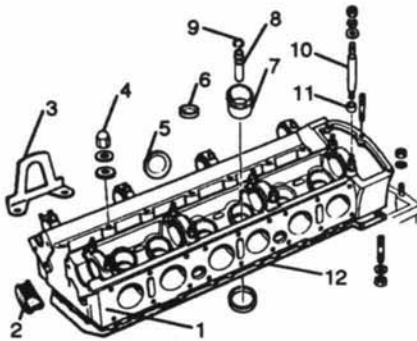
LOWER TIMING CHAIN

#	PART #	DESCRIPTION	QTY. REQ.
1.	C-4128-1	CAM GEAR BRACKET	1
2. *	C-2319-1	IDLER GEAR BUSHING	1
3. *	C-26740	IDLER GEAR	1
4.	C-2182	STUD	4
5.	C-27189	ECCENTRIC SHAFT	1
6. **	C-13614-1	VIBRATION DAMPER	1
7. **	C-2255	LOWER TIMING CHAIN	1
8. **	EAC-3629	HYD. TIMING CHAIN TENSIONER	1
9. **	C-21815	INTERMEDIATE DAMPER	1
10.*	C-25275	INTERMEDIATE SPROCKET	1
11.	C-4405	LOCK PIN	1
12.	C-2297	SPRING	1
13.	C-4404	ADJUSTING SPROCKET	1

* TIMING GEAR KIT PART # TKG-6 - ALSO INCLUDES C-2152 OIL PUMP DRIVE GEAR AND C-2170 TIMING CHAIN CRANKSHAFT SPROCKET.

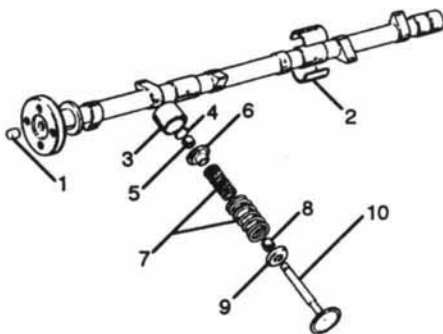
** TIMING CHAIN GUIDE KIT PART #TCK-42.

CYLINDER HEAD



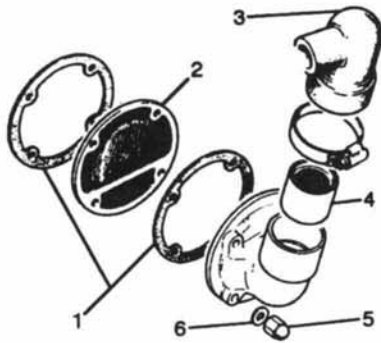
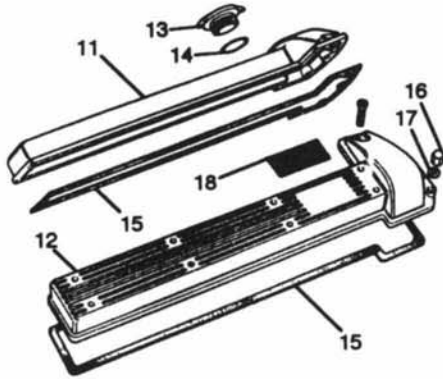
#	PART #	DESCRIPTION	QTY. REQ.
1.	EAC-7533-R	HEAD REBUILT NO AIR PUMP	1
1A.	EAC-7534-R	HEAD REBUILT W/AIR PUMP	1
2.	* C-39195	SEAL	2
3.	C-37851	LIFT HOOK	2
4.	C-2328-C	CHROME HEAD NUT	14
5.	C-317	CORE (FREEZE) PLUG	2
6.	C-16862-2	CORE (FREEZE) PLUG	3
7.	C-7262	TAPPET GUIDE	12
	JRT-604	TAPPET GUIDE HOLD-DOWN KIT	
NOTE: THE TAPPET GUIDES ON THE EXHAUST SIDE OF THE HEAD TEND TO LOOSEN ON HIGH-MILEAGE ENGINES. THE HOLD-DOWN KIT RESOLVES THIS PROBLEM AND INSTALLS WITHOUT REMOVING THE HEAD. LOOSE GUIDES CAN BE MISTAKENLY DIAGNOSED AS EXCESSIVE VALVE CLEARANCE.			
8.	VG-50912-BR	INTAKE VALVE GUIDE .502" OD	6
8A.	VG-50912-BR1	INTAKE VALVE GUIDE .504" OD	6
8B.	VG-50912-BR2	INTAKE VALVE GUIDE .507" OD	6
8C.	VG-50913-BR	EXHAUST VALVE GUIDE 502" OD	6
8D.	VG-50913-BR1	EXHAUST VALVE GUIDE 504" OD	6
8E.	VG-50913-BR2	EXHAUST VALVE GUIDE 507" OD	6
NOTE: THE ABOVE VALVE GUIDES ARE MADE OF SILICON BRONZE MATERIAL. BEFORE ORDERING, YOU NEED TO MEASURE THE OD. (OUTSIDE DIAMETER) OF THE GUIDES IN YOUR HEAD — ORDER THE SAME OD. OR THE NEXT LARGER SIZE.			
9.	EBC-1782	VALVE GUIDE CLIP	12
10.	C-2326	STUD FOR CAM COVER	16
11.	C-2373	DOWEL FOR CAM COVER STUD	16
12. *	EAC-2957	HEAD GASKET	1

CAMSHAFT AND VALVE TRAIN



#	PART #	DESCRIPTION	QTY. REQ.
1.	C-33244	CAMSHAFT PLUG	2
2.	VP-907	BEARING SET	1
3.	C-44010	TAPPET	12
4.	C-2243	ADJUSTING SHIM	A/R
NOTE: VALVE ADJUSTING SHIMS ARE AVAILABLE IN THICKNESS FROM .085 TO .110, IN .001 INCREMENTS. THE PART NUMBER IS C-2243-FOLLOWED BY A LETTER OF THE ALPHABET: .085, THE THINEST SHIM, IS C-2243-A, .086 IS C-2243-B, ETC. DOWN THROUGH C-2243-Z (.110).			
5.	C-27482	SPLIT COLLET (PAIR)	12
6.	C-27480	VALVE SPRING RETAINER	12
7.	VSP-480-P	VALVE SPRING SET	1

CONTINUED...



CAMSHAFT AND VALVE TRAIN CONTINUED

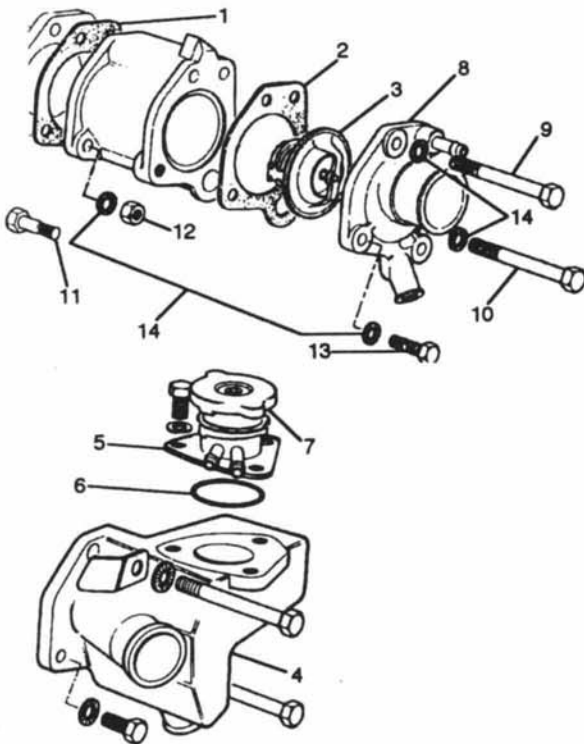
#	PART #	DESCRIPTION	QTY. REQ.
8.	* EAC-5032	INTAKE VALVE STEM SEAL	6
9.	C-27481	VALVE SPRING SEAT	12
10.	V-90302	INTAKE VALVE	6
10A.	V-90303	EXHAUST VALVE	6
11.	EAC-5464	CAMSHAFT COVER-LH	1
12.	EAC-5465	CAMSHAFT COVER-RH	1
13.	C-34757	OIL FILLER CAP	1
14.	C-42511	OIL FILLER CAP SEAL	1
15.	* EAC-5039	CAM COVER GASKET LH/RH	2
16.	C-2327-C	CAM COVER NUT	20
17.	FW-104-E	COPPER WASHER	20
18.	DCL-1047	CAM COVER DECAL	1

*ITEMS INCLUDED IN HEAD GASKET SET PART# GSK-123

CRANKCASE BREATHER

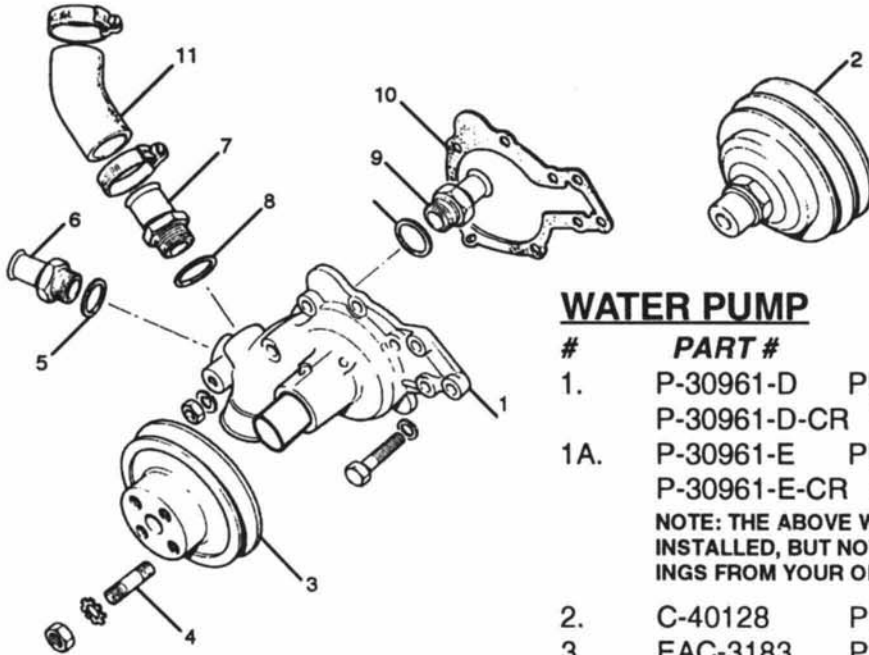
#	PART #	DESCRIPTION	QTY. REQ.
1.	C-2227	BREATHER GASKET	2
2.	C-37282	BREATHER SCREEN	1
3.	C-44386	BREATHER ELBOW	1
4.	C-44410	BREATHER GAUZE	1
5.	C-2327-C	CHROME NUT	4
6.	FW-104-E	COPPER WASHER	4

THERMOSTAT ASSEMBLY & GASKETS



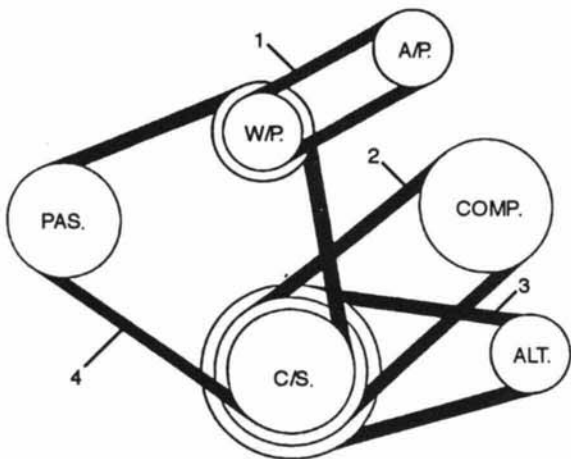
#	PART #	DESCRIPTION	QTY. REQ.
1.	* EAC-1282	GASKET (TO ENG. #8L173270)	1
1A.	* EAC-7046	GASKET (ENG. #8L173271 ON)	1
2.	* EAC-7045	THERMOSTAT GASKET	1
3.	JLM-9632	THERMOSTAT 180°	1
3A.	GTS-103	THERMOSTAT 160°	1
4.	C-44956	OUTLET HOUS. (TO VIN #330665)	1
5.	* EAC-3153	FILLER HOUSING	1
6.	C-31022	FILLER HOUSING GASKET	1
7.	GRC-126	FILLER CAP	1
NOTE: THIS CAP IS A "BLANKING CAP"—NO PRESSURE RELIEF MECHANISM—EXCESS PRESSURE IS RELIEVED BY THE CAP ON THE OVERFLOW TANK.			
8.	C-30839	OUTLET HOUS. (VIN #330666 ON)	1
9.	BH-505291-J	THERMOSTAT HOUSING BOLT	1
10.	BH-505321-J	THERMOSTAT HOUSING BOLT	1
11.	BH-605101-J	THERMOSTAT HOUSING BOLT	1
12.	JLM-9684	THERMOSTAT HOUSING NUT	1
13.	SH-505091	THERMOSTAT HOUSING BOLT	1
14.	C-30075-2	LOCK WASHER	4

*ITEMS INCLUDED IN GASKET SET PART # GSK-123



WATER PUMP

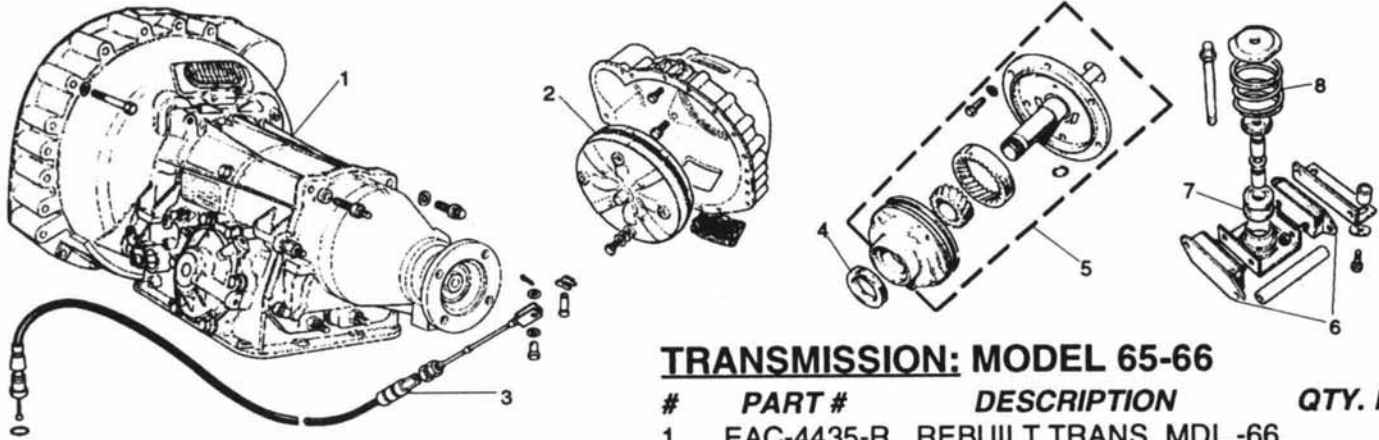
#	PART #	DESCRIPTION	QTY. REQ.
1.	P-30961-D	PUMP REBUILT (TO VIN #330665)	1
	P-30961-D-CR	CORE DEPOSIT REQUIRED	1
1A.	P-30961-E	PUMP REBUILT (VIN #330666 ON)	1
	P-30961-E-CR	CORE DEPOSIT REQUIRED	1
NOTE: THE ABOVE WATER PUMPS INCLUDE THE PULLEY INSTALLED, BUT NOT THE HOSE FITTINGS. REMOVE THE FITTINGS FROM YOUR OLD PUMP TO REUSE IN YOUR NEW ONE.			
2.	C-40128	PULLEY (TO VIN #330665)	1
3.	EAC-3183	PULLEY (VIN #330666 ON)	1
4.	C-16751	PULLEY STUD	4
5.	C-2296-1	SEALING WASHER	2
6.	C-17421	HOSE ADAPTER	1
7.	C-30962	HOSE ADAPT. (TO VIN #330665)	1
7A.	C-28652	HOSE ADAPT. (VIN #330666 ON)	1
8.	C-2296-2	SEALING WASHER	1
9.	C-17421	HOSE ADAPTER	1
10.	C-28656	GASKET	1
NOTE: GASKET INCLUDED WITH REBUILT WATER PUMP AND GASKET SET (GSK-103-A)			
11.	* C-41352	BYPASS HOSE (TO VIN #330665)	1
11A.	** C-41356	BYPASS HOSE (VIN #330666 ON)	1
* INCLUDED IN HOSE KIT GHK-114-2			
** INCLUDED IN HOSE KIT GHK-114-3			



DRIVING BELTS

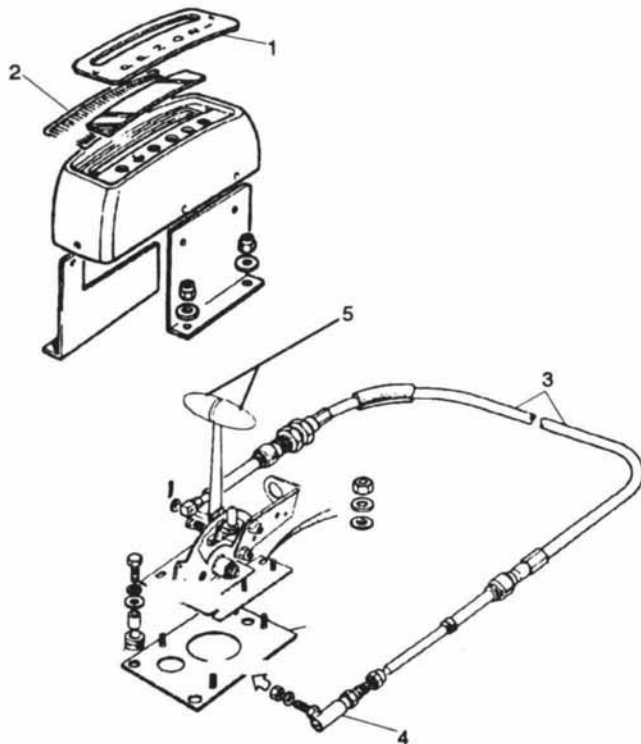
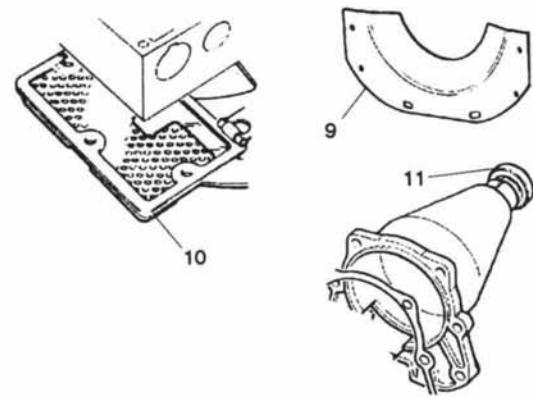
#	PART #	DESCRIPTION	QTY. REQ.
1.	* EAC-1324	AIR (SMOG) PUMP BELT	1
2.	* EAC-1349	A/C BELT (TO VIN #320617)	1
3.	EAC-1616	ALT. BELT (TO VIN #320617)	1
3A.	* EAC-3764	ALT. BELT (VIN #320618 ON)	1
4.	* EAC-1348	POWER STEERING BELT	1
	FBS-XJ3	FAN BELT SET (VIN #320618 ON)	1
*INCLUDED IN FBS-XJ3 BELT SET			

TRANSMISSION



TRANSMISSION: MODEL 65-66

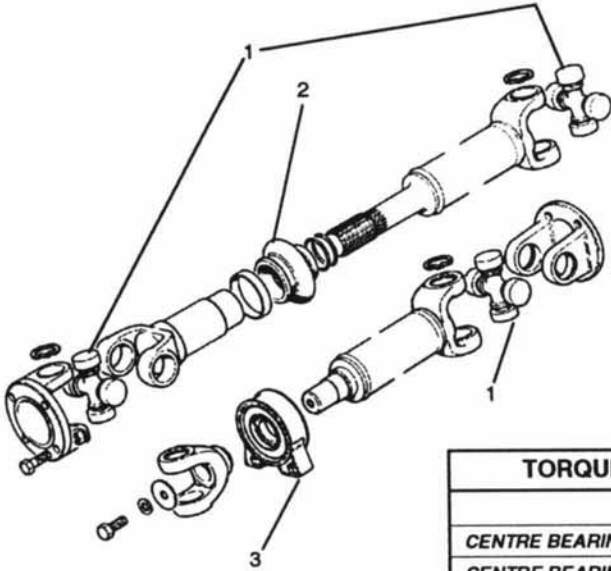
#	PART #	DESCRIPTION	QTY. REQ.
1.	EAC-4435-R	REBUILT TRANS. MDL.-66	1
1A.	EAC-4435-CR	CORE DEPOSIT REQUIRED	1
2.	MD-65-TC	TORQUE CONVERTER MDL.-65	1
2A.	MD-65-TC-CR	CORE DEPOSIT REQUIRED	1
2B.	MD-66-TC	TORQUE CONVERTER MDL.-66	1
2C.	MD-66-TC-CR	CORE DEPOSIT REQUIRED	1
3.	C-44238	KICK DOWN CABLE	1
4.	RTC-39	FRONT SEAL	1
5.	AEU-2798	FRONT FLUID PUMP	1
6.	C-32461	REAR MOUNT	2
7.	CAC-3227	CENTER BUSHING	1
8.	C-45902	MOUNT SPRING	1
8A.	C-12335	SPRING SEAT	2
9.	C-41664	DUST SHIELD	1
10.	AAU-7085-K	FILTER AND GASKET KIT	1
11.	RTC-447	REAR SEAL	1
	MODEL-65	GASKET AND SEAL SET	1
	MODEL-66	GASKET AND SEAL SET	1



TRANSMISSION CONTROLS

#	PART #	DESCRIPTION	QTY. REQ.
1.	BD-34963	SHIFT ID. (TO VIN #335118)	1
1A.	CAC-4770	SHIFT ID. (VIN #335119 ON)	1
2.	CAC-2864	SHIFT SEAL	2
3.	CBC-2482	SHIFT CABLE	1
4.	C-25152	SHIFT CABLE END	1
5.	C-31228-W	SHIFT KNOB SET, WALNUT	1
5A.	C-31228-C	SHIFT KNOB SET, CHERRY	1

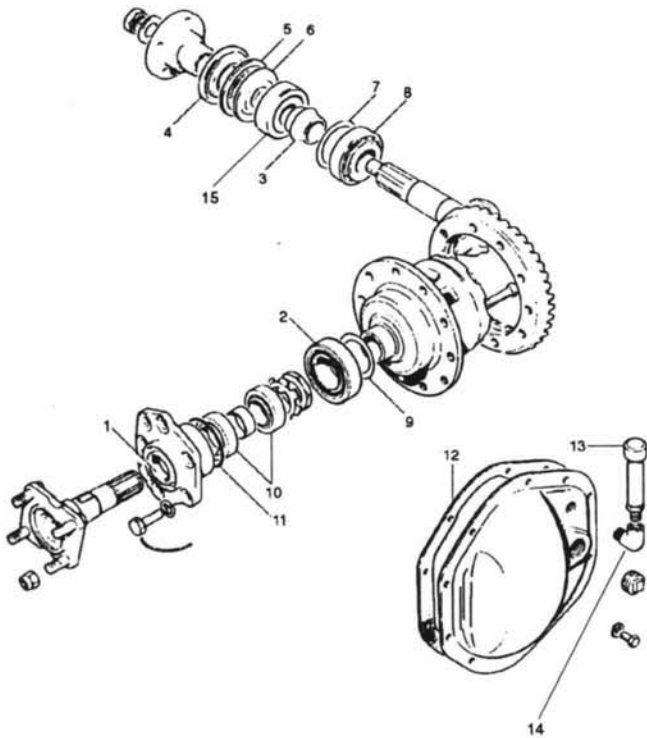
TRANSMISSION



DRIVE TRAIN

#	PART #	DESCRIPTION	QTY. REQ.
1.	10065	DRIVE SHAFT U-JOINT	3
2.	9411	BELLOW	1
3.	AAU-6066	DRIVE SHAFT CARRIER BEARING 1	

ITEM	TIGHTENING TORQUE		
	Nm	kgf m	lbf ft
CENTRE BEARING MOUNTING PLATE TO BODY	19 TO 24, 4	1, 94 TO 2, 48	14 TO 18
CENTRE BEARING TO MOUNTING PLATE	19 TO 24, 4	1, 94 TO 2, 48	14 TO 18
DRIVE SHAFT TO DRIVE UNIT (CLEVELOC)	66, 4 TO 74, 5	6, 78 TO 7, 6	49 TO 56
DRIVE SHAFT TO HUB CARRIER	136 TO 163	13, 8 TO 16, 6	100 TO 120
PROPELLER SHAFT FLANGE BOLTS -AUTOMATIC	36, 7 TO 43, 4	3, 74 TO 4, 42	27 TO 32
PROPELLER SHAFT FLANGE BOLTS -MANUAL	50	5, 12	37
REAR PROPELLER SHAFT TO CENTRE U-JOINT	36, 8	3, 75	27

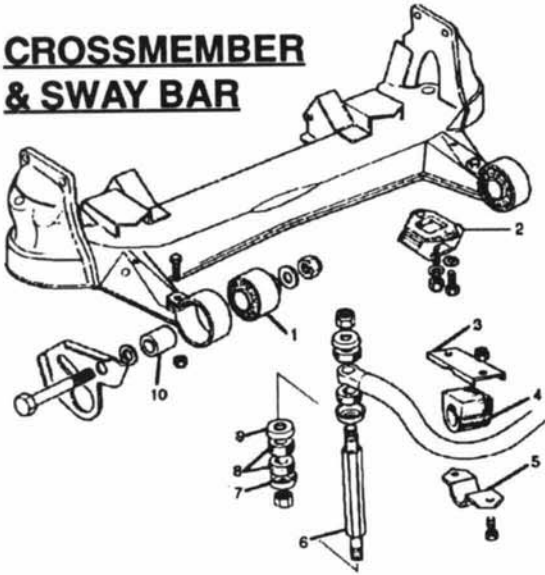


FINAL DRIVE

#	PART #	DESCRIPTION	QTY. REQ.
1.	AAU-8271	OUTPUT SHAFT SEAL	2
2.	3845	DIFFERENTIAL BEARING	2
3.	12456	CRUSH COLLAR	1
4.	JLM-527	PINION SEAL	1
5.	607183	PINION GASKET	1
6.	JLM-614	PINION SPACER	1
7.	3860	PINION SHIM - .003"	A/R
8.	12252	INNER PINION BEARING	1
9.	3935	OUTPUT SHIM - .003"	A/R
10.	RTC-1347	OUTPUT SHAFT BEARING	4
11.	RTC-1340	O-RING SEAL	2
12.	3931	DIFFERENTIAL COVER GASKET	1
13.	C-25716	BREATHER TUBE	1
14.	8509	BREATHER ELBOW	1
15.	3843	OUTER PINION BEARING	1

FRONT SUSPENSION

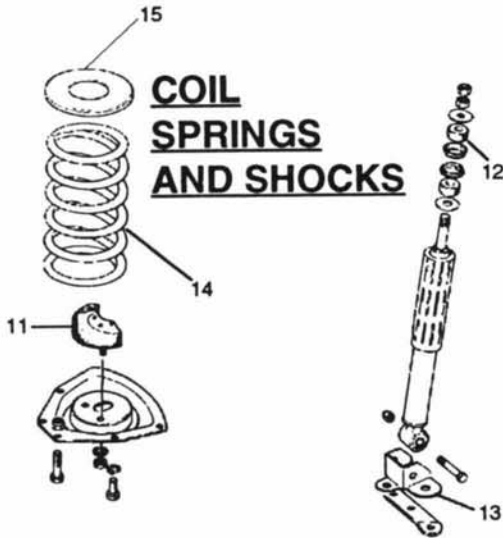
CROSSMEMBER & SWAY BAR



#	PART #	DESCRIPTION	QTY. REQ.
1.	C-30314	FRONT SUSP. MAIN MOUNT	2
2.	C-45666	FRONT "V" MOUNT	2
3.	C-30571	RH SWAY BAR MOUNT BRACKET	1
3A.	C-30570	LH SWAY BAR MOUNT BRACKET	1
4. *	C-30502	SWAY BAR BUSHING	2
5.	C-30500	RH LOWER SWAY BAR MOUNT	1
5A.	C-30501	LH LOWER SWAY BAR MOUNT	1
6.	C-46186	SWAY BAR LINK	2
7.	C-11045	SWAY BAR LINK WASHER	4
8. *	C-10996	SWAY BAR LINK BUSHING	8
9.	C-33682	SWAY BAR LINK WASHER	4
10.	C-30371	CROSSMEMBER MOUNT SLEEVE	2

* ALSO INCLUDED IN FRONT SUSP. REBUILD KIT, PART# FSU-XJ

COIL SPRINGS AND SHOCKS

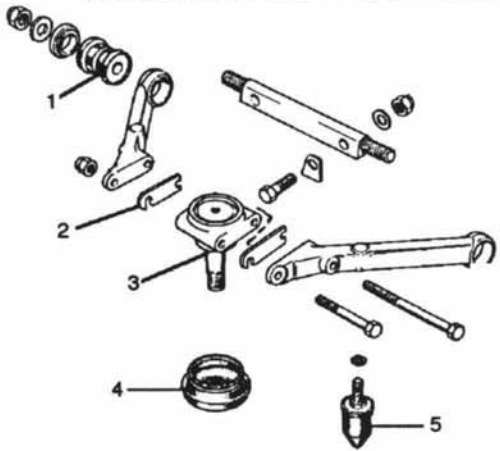


#	PART #	DESCRIPTION	QTY. REQ.
11.	C-43790	BUMP STOP	2
12.	C-30115	SHOCK BUSHING TOP	2
13.	C-38112	SHOCK BRACKET BOTTOM RH	1
13A.	C-38113	SHOCK BRACKET BOTTOM LH	1
14.	RTC-2751	SPRING (PAIR ONLY)	1
14A.	RTC-2751-HD	SPRING, HEAVY DUTY (PAIR)	1
15.	C-41271	SPACER (.125)	A/R



FRONT SUSPENSION

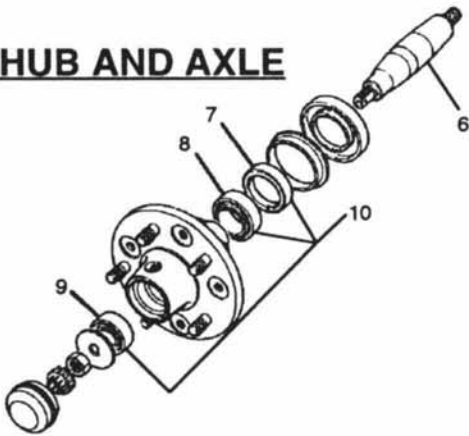
UPPER CONTROL ARM



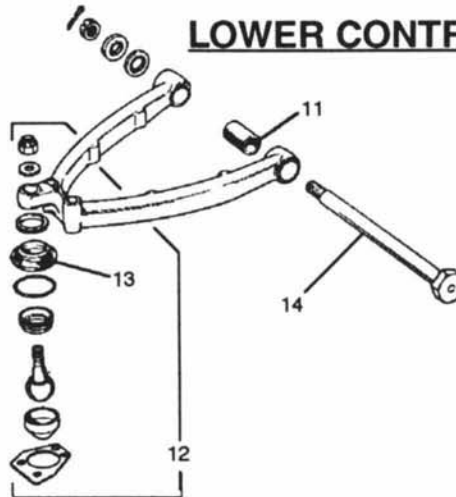
#	PART #	DESCRIPTION	QTY. REQ.
1.	* C-33745-1	CONTROL ARM BUSHING	4
2.	C-15308	BALL JOINT ALIGNMENT SHIM	A/R
3.	* C-23024	BALL JOINT ASSEMBLY	2
4.	C-43216	BALL JOINT GAITER	2
NOTE: GAITER IS INCLUDED WITH BALL JOINT ASSEMBLY			
5.	C-29979	BUMP STOP	2
6.	CCC-5136	AXLE SHAFT	2
7.	C-45711	HUB SEAL	2
8.	C-45709	INNER HUB BEARING	2
9.	C-45710	OUTER HUB BEARING	2
10.	HUB-KF-LATE	HUB BEARING AND SEAL KIT	2
11.	* C-8673	LOWER CONTROL ARM BUSHING	4
12.	* 12803	BALL JOINT KIT	2
13.	C-43216	BALL JOINT GAITER	2
NOTE: GAITER IS INCLUDED WITH 12803 BALL JOINT KIT			
14.	C-30722	PIVOT BOLT	2

* ALSO INCLUDED IN FRONT SUSP. REBUILD KIT, PART# FSU-XJ

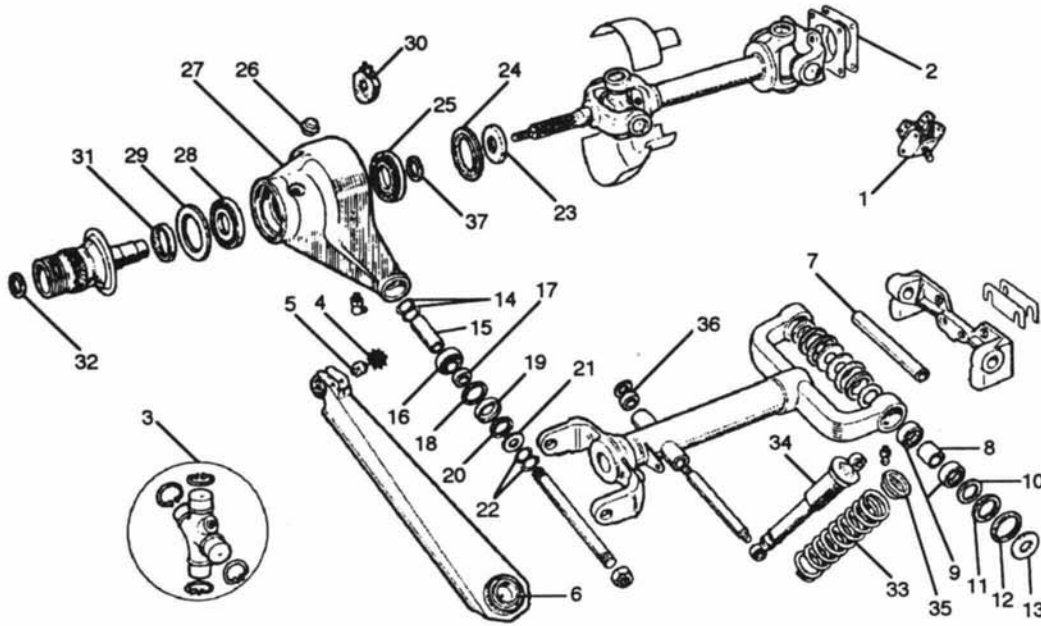
HUB AND AXLE



LOWER CONTROL ARM



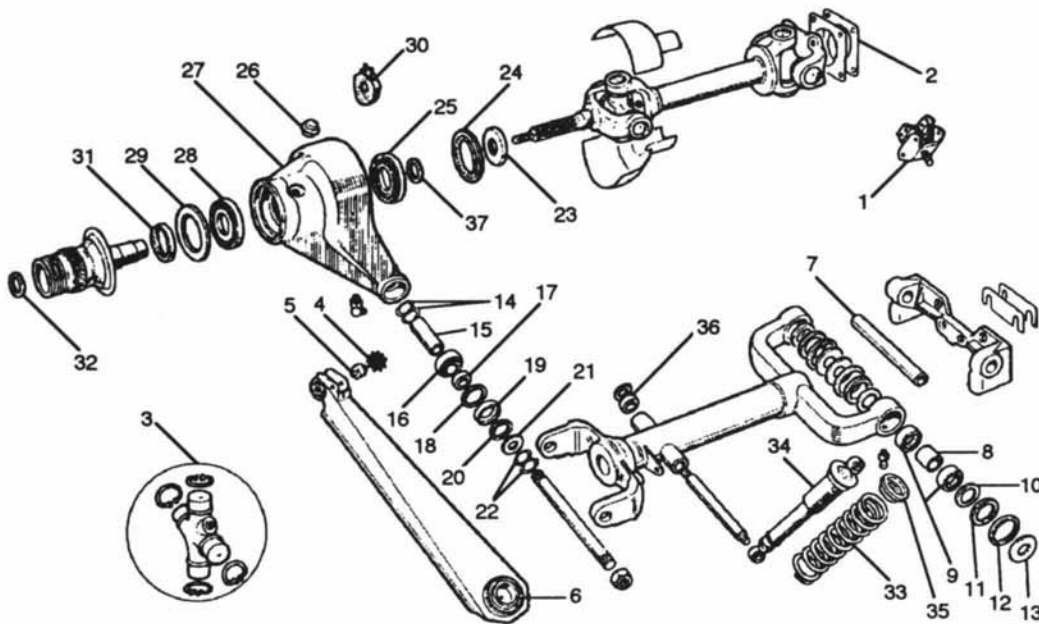
REAR SUSPENSION



#	PART #	DESCRIPTION	QTY. REQ.
1.	CAC-3067	CAGE MOUNT	4
2.	C-16621	CAMBER SHIM	A/R
3.	11948	HALF SHAFT U-JOINT	4
4.	C-25401	WASHER	2
5.	C-17146	REAR RADIUS ARM BUSHING	2
6.	C-23782	FRONT RADIUS ARM BUSHING	2
7.	C-17663	SPACER TUBE	2
8.	C-17168-1	BEARING TUBE	4
9.	C-17167	FULCRUM BEARING	8
10.	C-17166	WASHER	8
11.	C-17213	FULCRUM INNER SEAL	8
12.	C-17936	INNER SEAL RETAINER	8
13.	C-17165	THRUST WASHER	8
14.	C-16626-1	OUTER FULCRUM SHIM -.003	A/R
15.	C-16623-1	TUBE	2
16.	C-16029	OUTER FULCRUM BEARING	4
17.	C-16628	SEAL TRACK	4
18.	C-20180	SPACER RING	4
19.	C-20178	OUTER FULCRUM SEAL	4
20.	C-20179	SEAL CUP	4
21.	C-20182	OUTER SEAL	4
22.	C-16626-1	OUTER FULCRUM SHIM -.007	A/R
23.	C-15232	HUB SEAL TRACK	2
24. *	C-15231	INNER HUB SEAL	2
25. *	C-15230	INNER HUB BEARING	2

CONTINUED...

REAR SUSPENSION



#	PART #	DESCRIPTION	QTY. REQ.
26.	C-18124	GREASE CAP	2
27.	C-26699	REAR HUB CARRIER	2
28.	* C-19066	OUTER HUB BEARING	2
29.	* C-24789	OUTER HUB SEAL	2
30.	C-40158	BUMP STOP	2
31.	C-24791	SEAL RACE	2
32.	C-24923	WASHER	2
33.	C-29978	REAR SPRING	4
33A.	C-37273	RETAIN. COLLET (2-PER SHOCK)	8
34.	C-29444	REAR SHOCK	4
35.	C-19821	SPRING RETAINER (2-Per Shock)	8
36.	** C-29374	SPACER	2
37.	CAC-3818	HUB SHIM	A/R
38.	HUB-KR	HUB BEARING AND SEAL KIT	2

* ALSO INCLUDED IN HUB BEARING AND SEAL KIT #HUB-KR

** HUB SHIMS ARE AVAILABLE IN THICKNESS FROM .109" TO .151".
WHEN ORDERING, ADD THE SUFFIX THAT CORRESPONDS TO
THE LAST TWO DIGITS OF THE SIZE, E.G., TO ORDER A .146"
SHIM. SPECIFY CAC-3818-46

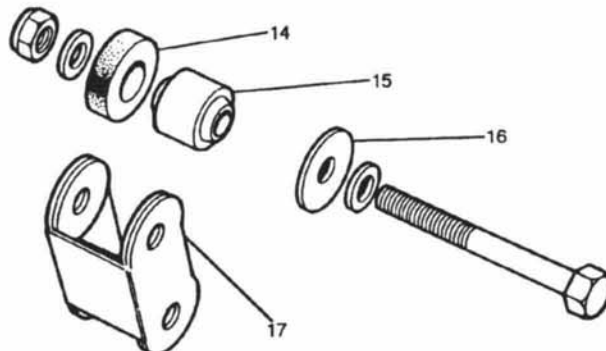
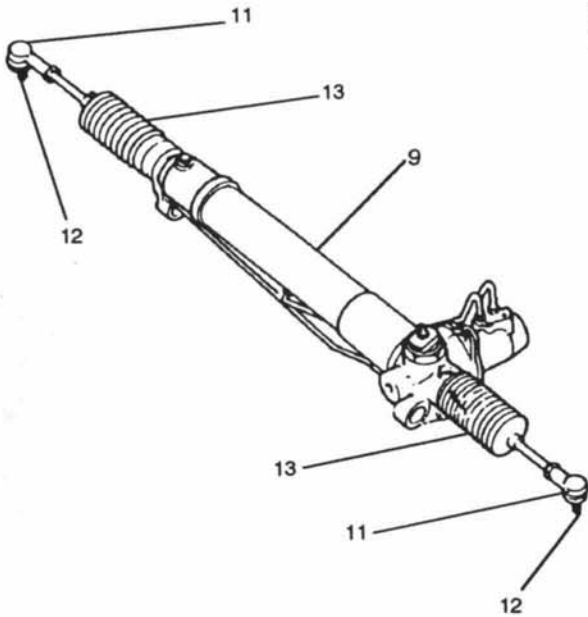
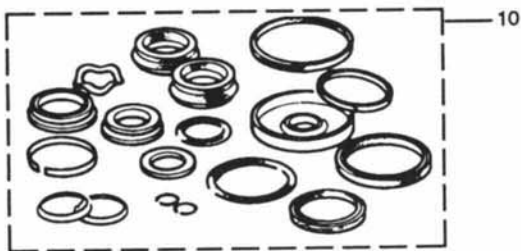
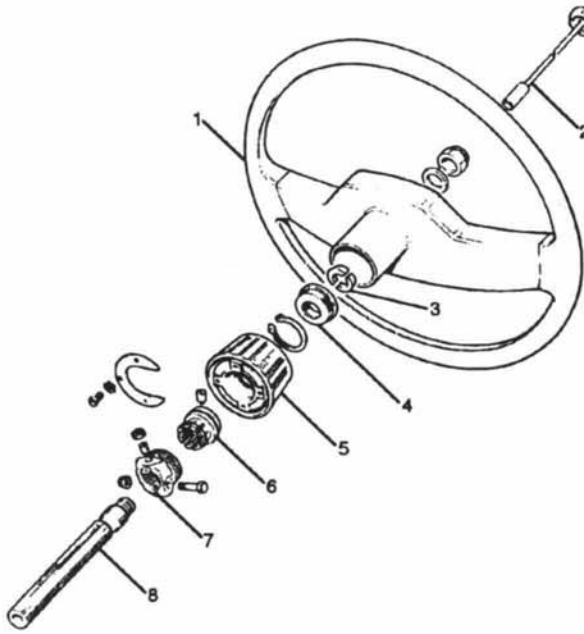
STEERING

UPPER STEERING COLUMN

#	PART #	DESCRIPTION	QTY. REQ.
1.	CAC-5885	STEERING WHEEL	1
1A.	CAC-2418	STEERING WHEEL HORN PAD	1
1B.	C-40184	HORN PAD MOTIF (BADGE)	1
2.	DAC-2882	HORN GUIDE & SLEEVE	1
3.	C-38528	SPLIT CONE	2
4.	CAC-3321	IMPACT RUBBER	1
5.	C-38523	LOCK NUT	1
6.	C-38524	COLLET	1
7.	CAC-2970	STEERING COLLET	1
8.	C-38526	STEERING SHAFT	1
9.	* CAC-5253	STEERING RACK ASSY., NEW	1
9A.	* 1432-S	STEERING RACK ASSY. REBUILT	1
9B.	* 1432-S-CR	CORE REQUIRED (NEW OR USED)	1
10.	* AAU-1503	RACK SEAL KIT (TO VIN #314060)	1
10A.	* AEU-1432	RACK SEAL KIT (VIN #314061 ON)	1
11.	* JLM-9726	OUTER TIE ROD END (TO 314060)	1
11A.	* JLM-9660	OUTER TIE ROD END (314061 ON)	1
12.	** EAW-2270	TIE ROD END GAITOR	2
13.	C-33417	RACK BELLOW	2
14.	C-29406	RACK MOUNT THRUST WASHER	4
15.	CAC-1634	RACK MOUNT BUSHING	3
15A.	CAC-1634-K	RACK MOUNT KIT	1
		INCLUDES PARTS CAC-1634 AND C-29406	
15B.	CAC-1634-RP	URETHANE RACK MOUNT SET	1
		BUSHINGS ONLY. ORDER THRUST WASHERS SEPERATELY	
16.	C-29407-1	RACK MOUNT SHIM	3
17.	CAC-2037	RACK MOUNT BRACKET	1

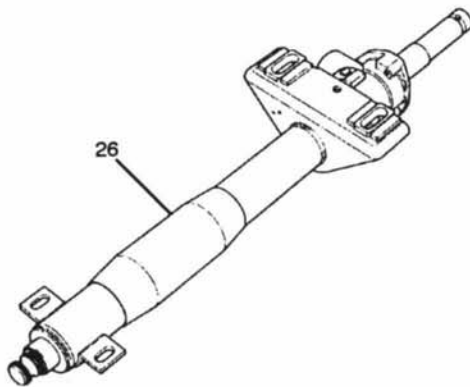
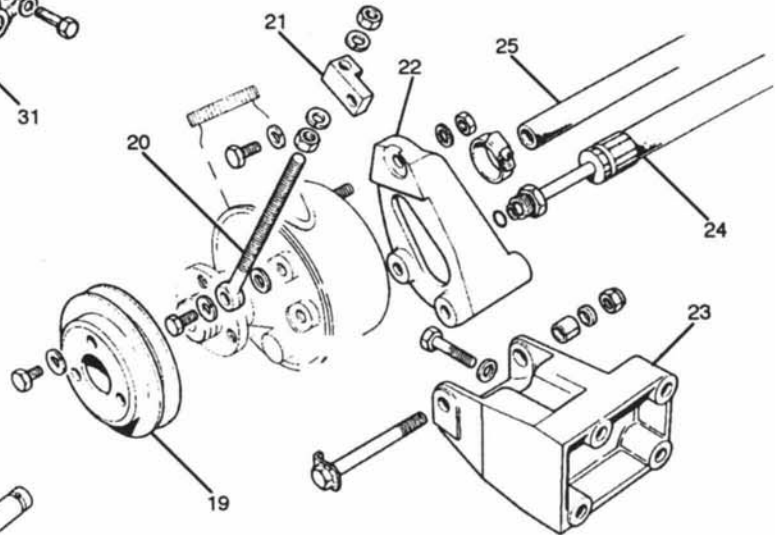
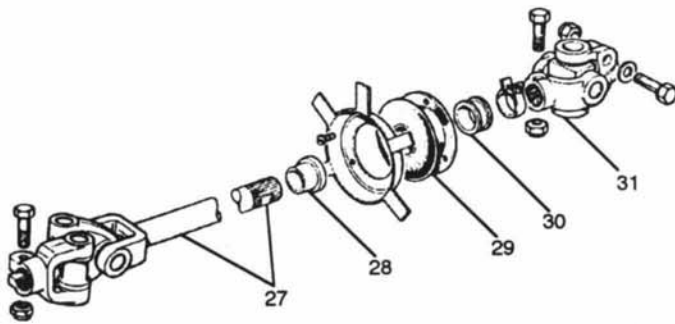
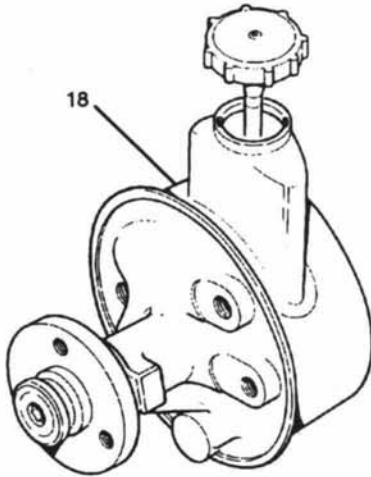
* SINCE THE EARLY & LATE RACKS ARE INTERCHANGABLE, IF YOU ARE NOT SURE THAT THE RACK IN YOUR CAR IS ORIGINAL, MEASURE THE INSIDE DIAMETER OF THE OUTER TIE ROD END. THE EARLY TIE ROD END IS APPROXIMATELY 9/16" I.D., THE LATE TIE ROD END IS APPROXIMATELY 1/2" I.D. ORDER RACK KITS AND TIE ROD ENDS ACCORDINGLY.

** INCLUDED WITH OUTER TIE ROD END

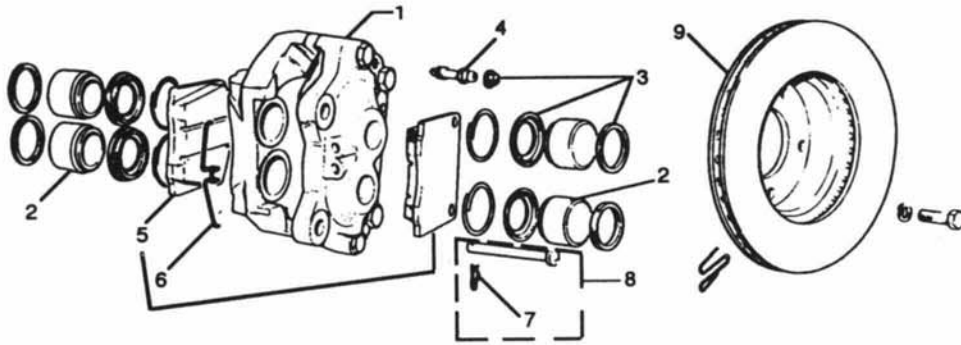


POWER STEERING PUMP & HOSES

#	PART #	DESCRIPTION	QTY. REQ.
18.	EAC-3167-R	PUMP	1
18A.	EAC-3167-CR	CORE DEPOSIT REQUIRED	1
19.	C-45544	PUMP PULLEY	1
20.	C-40142	ADJUSTING ROD	1
21.	C-45549	ADJUSTING BLOCK	1
22.	C-32878	REAR MOUNT BRACKET	1
23.	C-45543	SIDE MOUNT BRACKET	1
24.	C-37742	HI PRES. HOSE (TO VIN 312606)	1
24A.	CAC-3653	HI PRES. HOSE (VIN 312607-ON)	1
25.	CAC-2484	LOW PRESSURE HOSE - ALL	1
26.	CAC-4380	UPPER STEERING COLUMN	1
27.	CAC-3059-3	LOWER STEERING COLUMN	1
28.	C-30741	COLLET	1
29.	C-42001	STEERING GAITER	1
30.	C-42879	COLLET	1
31.	CAC-3470	U-JOINT ASSY.	1



BRAKES



FRONT CALIPERS

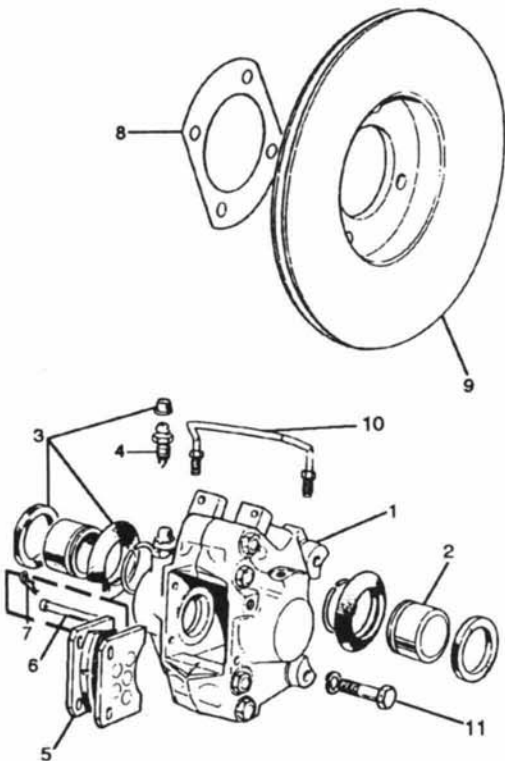
#	PART #	DESCRIPTION	QTY REQ.
1. *	AAU-2102-R	CALIPER, RH, REBUILT	1
	AAU-2102-U	CALIPER, RH, USED	1
	AAU-2103-R	CALIPER, LH, REBUILT	1
	AAU-2103-U	CALIPER, LH, USED	1
2.	64327369	PISTON	8
3.	SP-2887	SEAL AND DUST BOOT KIT	1
4.	RTC-1115	BLEEDER SCREW	2
5.	GP-244	FRICTION PAD SET	1
6.	12292	FRICTION PAD RETAINING CLIP	4
7. **	11369	RETAINING PIN CLIP	4
8. **	JLM-1539	RETAINING PIN AND CLIP KIT	1
9.	CAC-2647	DISC (ROTOR)	2

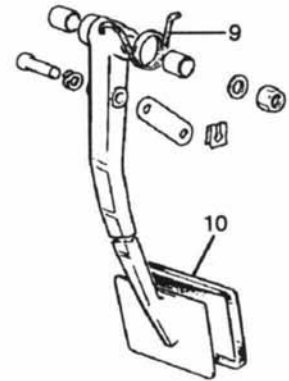
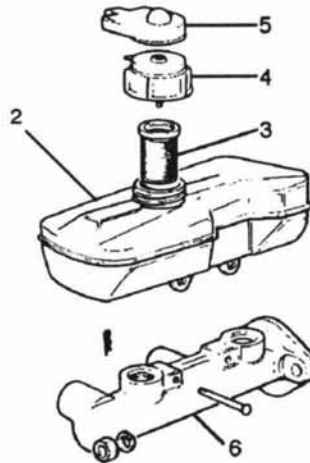
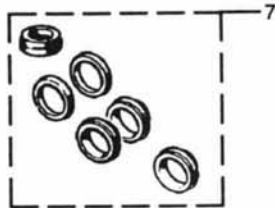
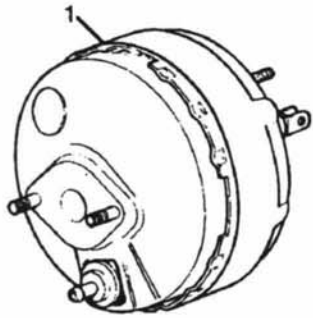
REAR CALIPERS

#	PART #	DESCRIPTION	QTY REQ.
1. *	AAU-3378-R	CALIPER, RH, REBUILT	1
	AAU-3378-U	CALIPER, RH, USED	1
	AAU-3379-R	CALIPER, LH, REBUILT	1
	AAU-3379-U	CALIPER, LH, REBUILT	1
2.	64321392	PISTON	4
3.	SP-4095	SEAL & DUST BOOT KIT	1
4.	11375	BLEEDER SCREW	2
5.	GP-97	FRICTION PAD SET	1
6. **	JLM-1540	RETAINING PIN AND CLIP KIT	1
7. **	11369	RETAINING PIN CLIP	4
8.	C-33440-2	DISC CENTERING SHIM (.010")	A/R
	C-33440	DISC CENTERING SHIM (.020")	A/R
9.	C-26779	DISC (ROTOR)	2
10.	AEU-1068	BRIDGE PIPE	2
11.	C-30251	MOUNTING BOLT	4

* NOTE: REBUILT CALIPERS INCLUDE PISTONS, SEALS, AND BLEEDER SCREWS, BUT NOT PADS OR HARDWARE. USED CALIPERS WILL PROBABLY REQUIRE REBUILDING.

** INCLUDED IN KIT. KIT DOES BOTH FRONT OR BOTH REAR CALIPERS. (FOUR PINS AND CLIPS IN EACH KIT)





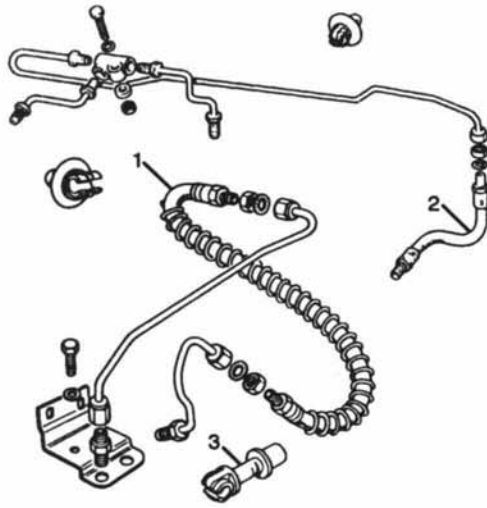
BRAKE CONTROLS

#	PART #	DESCRIPTION	QTY. REQ.
1.	74049095	SERVO UNIT, NEW	1
2.	CAC-3217	RESERVOIR, MASTER CYLINDER, INCLUDING CAP	1
3.	CAC-3219	FILTER	1
4.	CAC-3218	CAP, WITH FLUID LEVEL SWITCH	1
5.	CAC-1542	PROTECTIVE COVER	1
6.	74066126	MASTER CYLINDER	1
7.	SP-7672	MASTER CYLINDER REBUILD KIT	1
8.	SP-7392	SERVO REBUILD KIT	1
9.	C-24689	PEDAL RETURN SPRING	1
10.	C-21515	PEDAL PAD	1
	CAC-4188	NON-RETURN VALVE, SERVO VACUUM LINE	1

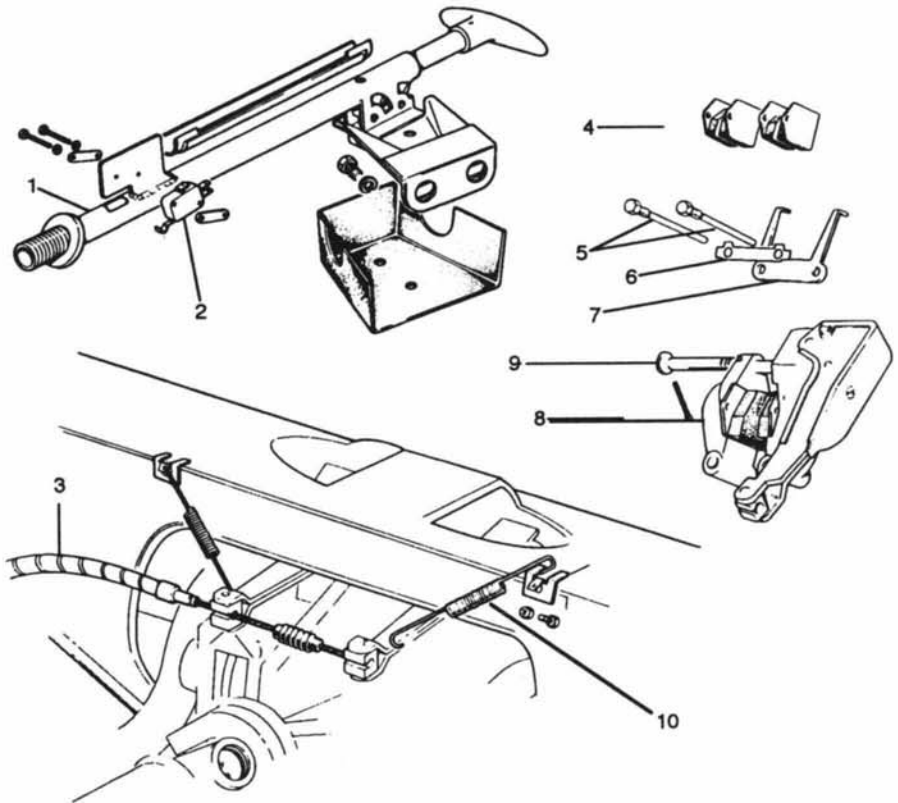


BRAKES

BRAKE LINES

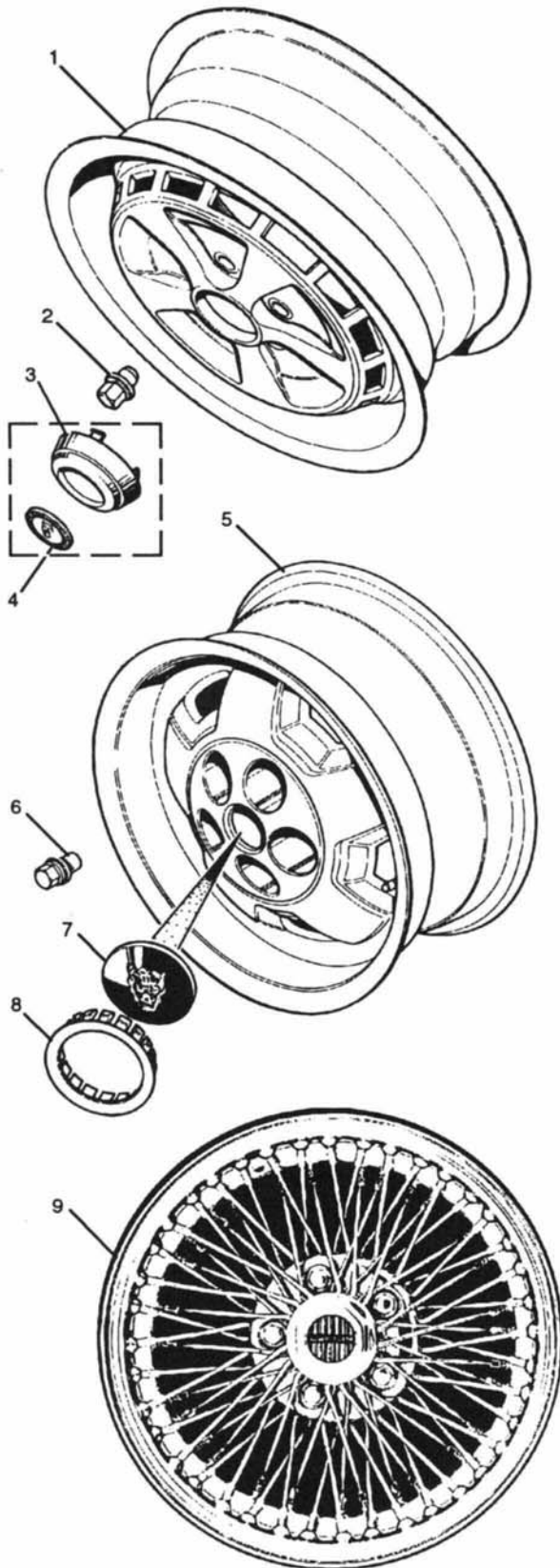


#	PART #	DESCRIPTION	QTY. REQ.
1.	GHP-101	BRAKE HOSE, FRONT	2
2.	GHP-27	BRAKE HOSE, REAR	1
3.	C-30783	PIPE RETAINING CLIP	8



HANDBRAKE

#	PART #	DESCRIPTION	QTY. REQ.
1.	CAC-2909	HANDBRAKE ASSEMBLY	1
2.	C-44358	WARNING SWITCH	1
3.	C-45012-4	HANDBRAKE CABLE	1
4.	GP-175	FRICTON PAD SET	1
5.	8016	BOLT, OPERATING MECHANISM	4
6.	9751	TAB WASHER	2
7.	9750	RETRACTION PLATE	2
8.	CAC-2716	CALIPER ASSEMBLY, RH	1
8A.	CAC-2717	CALIPER ASSEMBLY, LH	1
9.	8845	BOLT, PAD CARRIER	2
10.	C-22690	RETURN SPRING	2



WHEELS

#	PART #	DESCRIPTION	QTY. REQ.
1.	CAC-1701	ROAD WHEEL	5
2.	C-41292-L	LUG NUT, CHROME	20
2A.	CAC-4547	LUG NUT, STAINLESS STEEL	20

NOTE: THE CHROME LUG NUTS APPEAR TO HAVE BEEN USED THRU 1985 AND THE STAINLESS LUG NUTS AFTER 1985. THE STAINLESS LUG NUTS ARE DISTINGUISHABLE BY HAVING A CAP FORMED OVER THE HEXAGONAL PART OF THE LUG NUT. BOTH STYLES ARE INTERCHANGEABLE.

3.	CAC-9820-K	HUBCAP & BADGE ASSEMBLY	4
4.	C-42191	BADGE	4
5.	CAC-4379	ROAD WHEEL, "STARFISH"	5

NOTE: THIS WHEEL WAS FITTED TO THE XJS ONLY, HOWEVER, THEY ARE A DIRECT REPLACEMENT FOR THE XJ6. DUE TO THE HOLES SHAPE, THE NUTS SHOWN BELOW SHOULD BE USED.

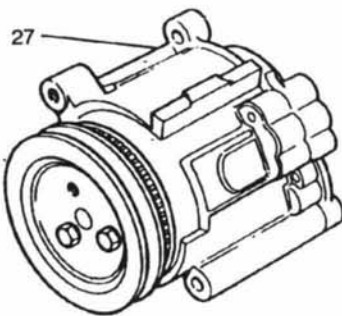
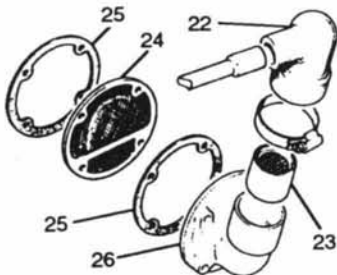
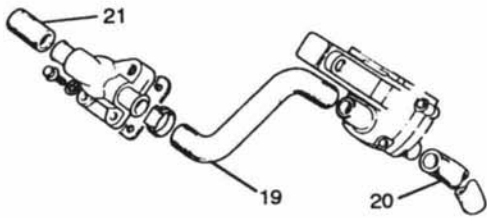
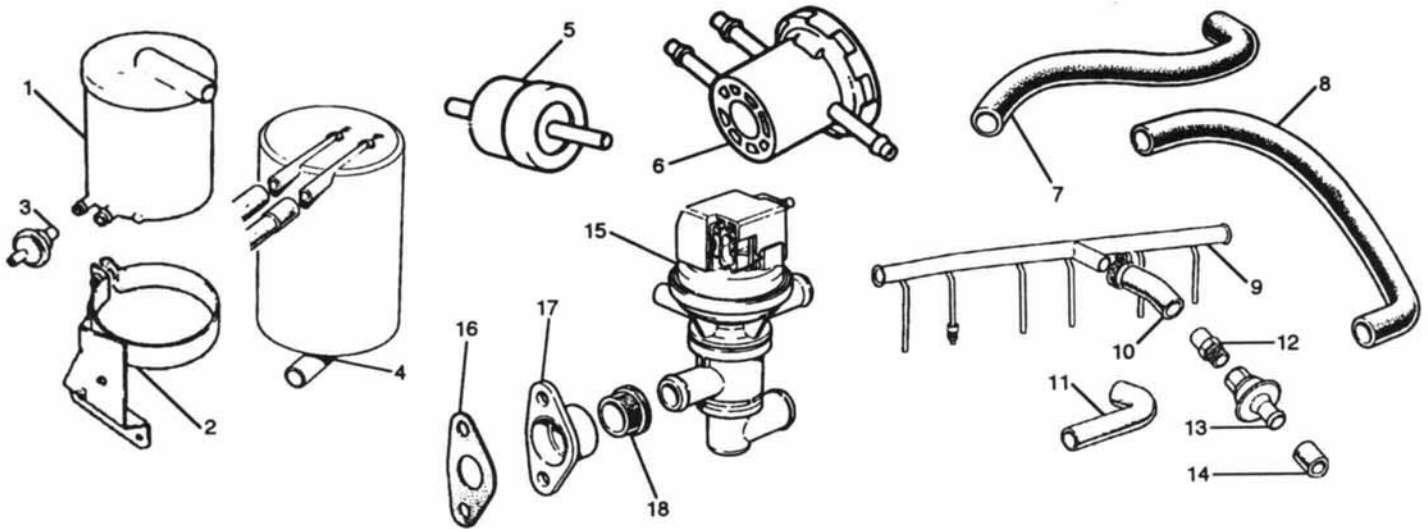
6.	CAC-4549	LUG NUT, BLACK	20
7.	C-42191	BADGE	4
8.	CAC-6442	BADGE RETAINER	4
	CBC-4116	LUG WRENCH - ALL WHEELS	1

TECH NOTE: WHEELS FROM 1988 ON WILL FIT 1979-1987 CARS, BUT THE FRONT HUB GREASE CAP PROTRUDES TOO FAR TO ALLOW FITTING OF A LATE STYLE HUB CAP. IF YOU WANT TO FIT THESE WHEELS CALL FOR SUGGESTIONS.

9.	D-XJ	DAYTON WIRE WHEEL CONVERSION PACKAGE INCLUDES: FOUR BOLT-ON WHEELS, HUB CAPS, LUG NUTS AND LUG WRENCH. - CALL FOR CURRENT PRICE AND AVAILABILITY.	
----	------	---	--

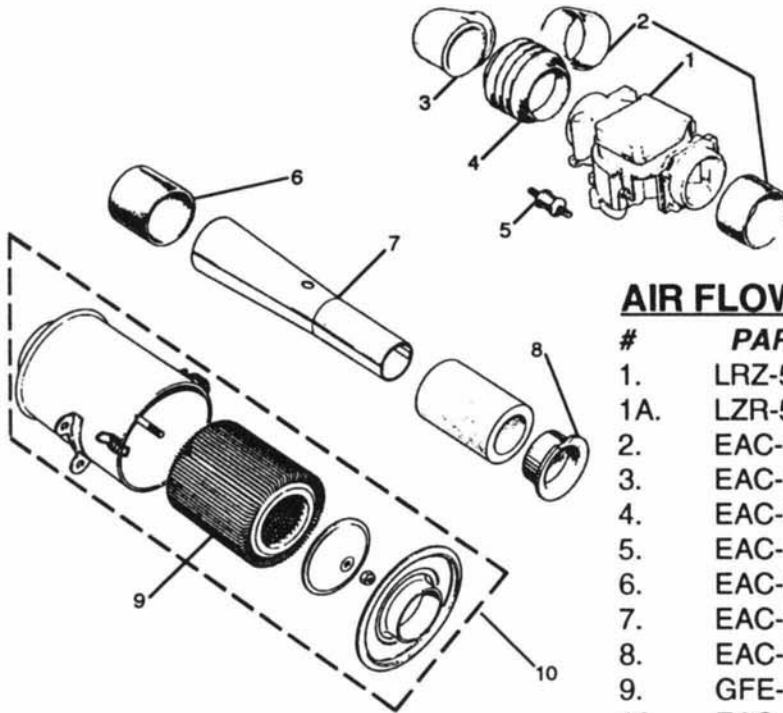


FUEL / EMISSIONS



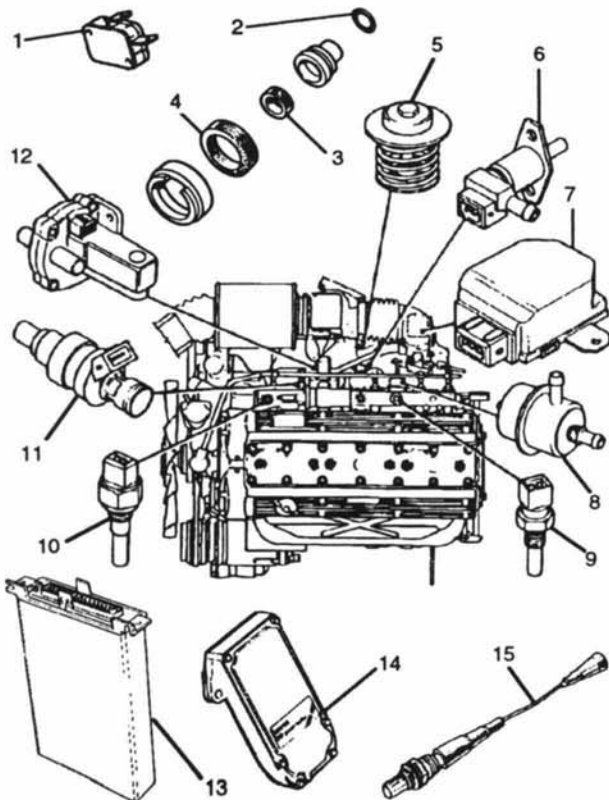
EMISSIONS

#	PART #	DESCRIPTION	QTY. REQ.
1.	CAC-3814	CARBON CANISTER (#310613 ON)	1
2.	CAC-3601	CARBON CANISTER BRACKET	1
3.	CAC-3101	CHECK VALVE	1
4.	C-39237	CARBON CANISTER (TO #310612)	1
5.	C-43639	VACUUM VALVE	1
6.	EAC-4399	VACUUM REGULATOR	1
7.	EAC-3954-1	DIVERTER VALVE HOSE	1
8.	EAC-3954-2	DIVERTER VALVE HOSE	1
9.	C-36930	AIR RAIL	1
10.	C-37156	CHECK VALVE TO AIR RAIL HOSE	1
11.	C-44359	AIR PUMP TO PIPE HOSE	1
12.	C-37410	HOSE FITTING	1
13.	C-34017	EMISSION CHECK VALVE	1
14.	C-34632	EMISSION HOSE	1
15.	EAC-3826	AIR SWITCH	1
16.	EAC-3757	AIR SWITCH ADAPTER SEAL	1
17.	EAC-3848	AIR SWITCH ADAPTER	1
18.	C-37990	OUTER AIR SWITCH GROMMET	1
19.	EAC-1596	AUXILIARY AIR VALVE HOSE	1
20.	EAC-1471	EMISSION HOSE TO AIR VALVE	1
21.	C-41351	AIR HOSE	1
22.	C-44386	BREATHER CAP	1
23.	C-44410	ENGINE BREATHER SCREEN	1
24.	C-37282	ENGINE BREATHER SCREEN	1
25.	C-2227	BREATHER GASKET	2
26.	EAC-1259	BREATHER HOUSING	1
27.	EAC-3645-R	AIR INJECTION PUMP REBUILT	1
27A.	EAC-3645-CR	CORE DEPOSIT REQUIRED	1



AIR FLOW METER AND FILTER

#	PART #	DESCRIPTION	QTY. REQ.
1.	LRZ-500	AIR FLOW METER REBUILT	1
1A.	LZR-500-CR	CORE DEPOSIT REQUIRED	1
2.	EAC-1301	AIR METER HOSE	2
3.	EAC-1327	AIR INTAKE ELBOW	1
4.	EAC-6780	AIR METER BELLOWS	1
5.	EAC-1360	AIR FLOW METER MOUNTS	3
6.	EAC-2513	AIR FILTER HOSE	1
7.	EAC-2511	AIR FILTER HORN	1
8.	EAC-2512	AIR FILTER HORN FLARE END	1
9.	GFE-1089	AIR FILTER	1
10.	EAC-4835	AIR CANISTER ASSEMBLY	1



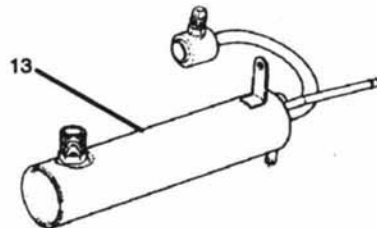
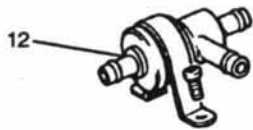
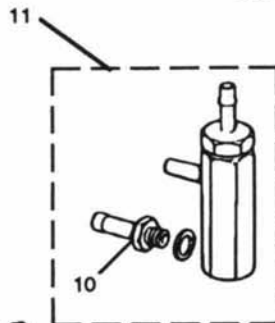
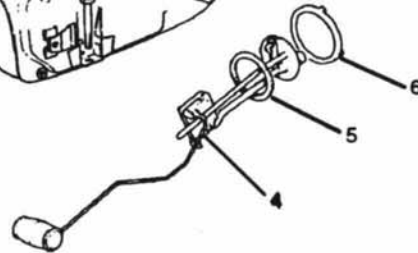
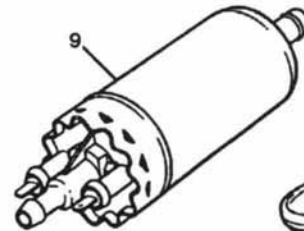
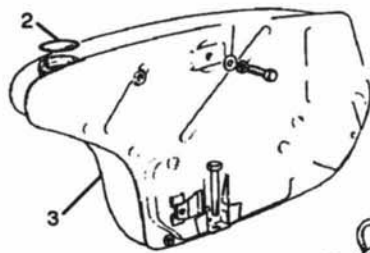
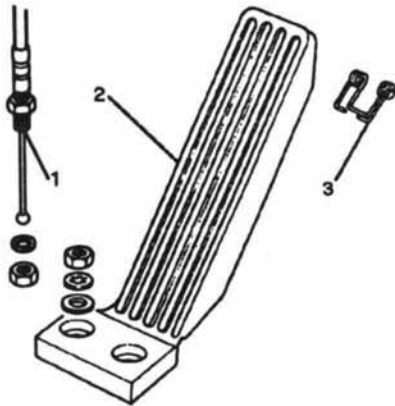
SWITCHES, SENSORS AND INJECTORS

#	PART #	DESCRIPTION	QTY. REQ.
1.	C-33509	KICKDOWN SWITCH	1
2.	EAC-4406	O-RING	6
3.	EAC-2415	INJECTOR SEAL RING	6
4.	EAC-2414	INJECTOR MOUNTING RING	6
5.	54739484S	DECELERATION VALVE	1
6.	73180	COLD START INJECTOR	1
7.	33703	THROTTLE POSITION SWITCH	1
8.	73177	FUEL PRES. REG. (UP TO 1983)	1
8A.	73232	FUEL PRES. REG. (1984 ON)	1
9.	73198	WATER TEMPERATURE SENSOR	1
10.	33704	THERMO TIME SWITCH	1
11.	EAC-1851	FUEL INJECTOR	6
12.	73212	AUXILARY AIR VALVE	1
13.	73207-R	CONTROL UNIT (ECU) REBUILT	1
13A.	73207-CR	CORE DEPOSIT REQUIRED	1
14.	73184	POWER RESISTOR	1
15.	73211	OXYGEN (LAMBDA) SENSOR	1

FUEL / EMISSIONS

ACCELERATOR PEDAL AND CABLE

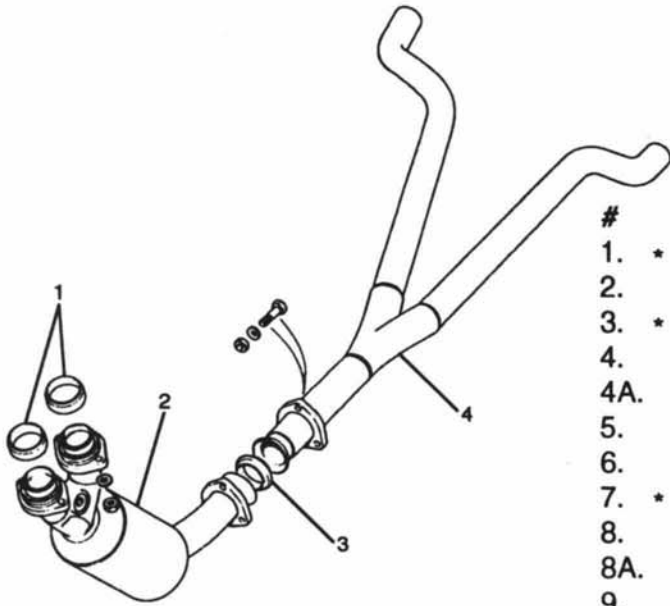
#	PART #	DESCRIPTION	QTY. REQ.
1.	CBC-1905-2	ACCELERATOR CABLE	1
2.	C-28731	ACCELERATOR PEDAL	1
3.	CAC-3052	ACCELERATOR PEDAL SPRING	1



FUEL TANKS, FUEL DELIVERY AND RETURN

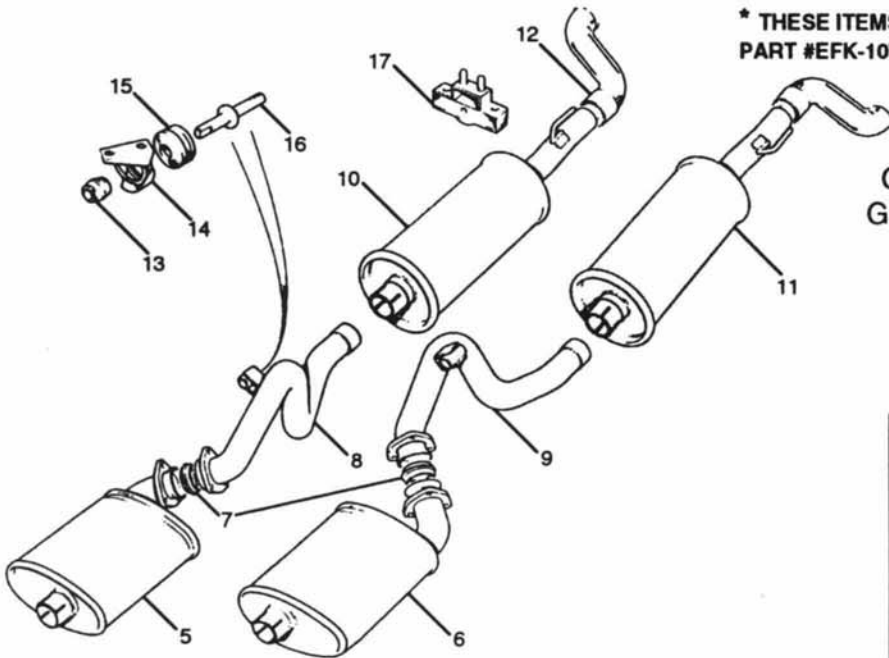
#	PART #	DESCRIPTION	QTY. REQ.
1.	BAC-1954	FUEL FILLER CAP ASSY. RH	1
1A.	BAC-1955	FUEL FILLER CAP ASSY. LH	1
2.	C-46161	FUEL TANK O-RING	2
3.	CAC-5522-1	FUEL TANK RH (80-87)	1
3A.	CAC-5523-1	FUEL TANK LH (80-87)	1
4.	TBS-5514-016-R	FUEL SENDER REBUILT LH	1
4A.	TBS-5514-017-R	FUEL SENDER REBUILT RH	1
5.	C-22054	SENDER GASKET	2
6.	C-22053	LOCK RING	1
7.	CAC-3938	FUEL RETURN VALVE LH	1
7A.	CAC-3939	FUEL RETURN VALVE RH	1
8.	TKC-6055	FUEL FILTER	1
9.	73202	FUEL PUMP	1
10.	CAC-2027	NON-RETURN VALVE	1
11.	CAC-2028	AIR VALVE BLEEDER	1
12.	CAC-3940	FUEL CHANGE VALVE	1
13.	CAC-1804	FUEL COOLER	1

EXHAUST



#	PART #	DESCRIPTION	QTY. REQ.
1. *	C-18405-1	SEAL RINGS	2
2.	CBC-2070	CATALYTIC CONVERTER	1
3. *	GEX-7441	STEEL OLIVE SEAL	1
4.	03919	HEAD PIPE W/OUT CONVERTER	1
4A.	CBC-2071	HEAD PIPE WITH CONVERTER	1
5.	3971	RHF SILENCER	1
6.	3972	LHF SILENCER	1
7. *	C-43831	STEEL OLIVE SEAL	2
8.	3957	RH OVER AXLE PIPE (> #354034)	1
8A.	4062	RH PIPE (#354035 >)	1
9.	3958	LH OVER AXLE PIPE (> #354034)	1
9A.	4063	LH PIPE (#354035 >)	1
10.	4052	RHR SILENCER	1
11.	4053	LHR SILENCER	1
12.	03935	CHROME EXHAUST TIP	2
13. *	C-38330	PEG HANGER RECEIVER	2
14.	C-41559	RH HANGER BRACKET	1
14A.	C-41560	LH HANGER BRACKET	1
15. *	CAC-2751	HANGER RUBBER MOUNT	2
16.	CAC-3103	HANGER MOUNT PEG	2
17. *	C-40110	REAR HANGER	2

* THESE ITEMS ARE INCLUDED IN EXHAUST MOUNTING KIT
PART #EFK-107

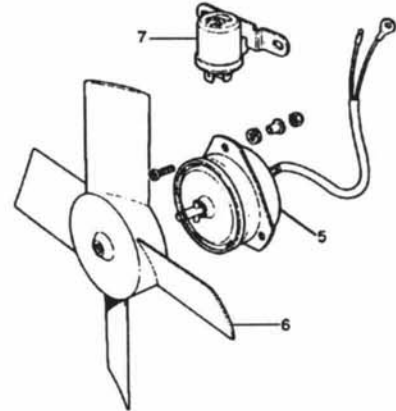
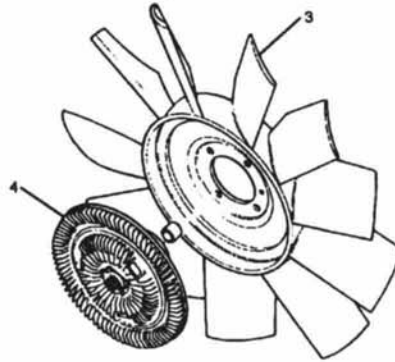
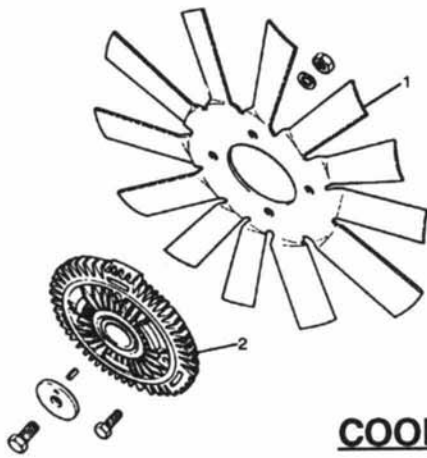


COMPLETE EXHAUST SYSTEMS

GES-111 XJ6 (1980-82) TO VIN #354034
GES-112 XJ6 (1982-ON) VIN #354035 ON

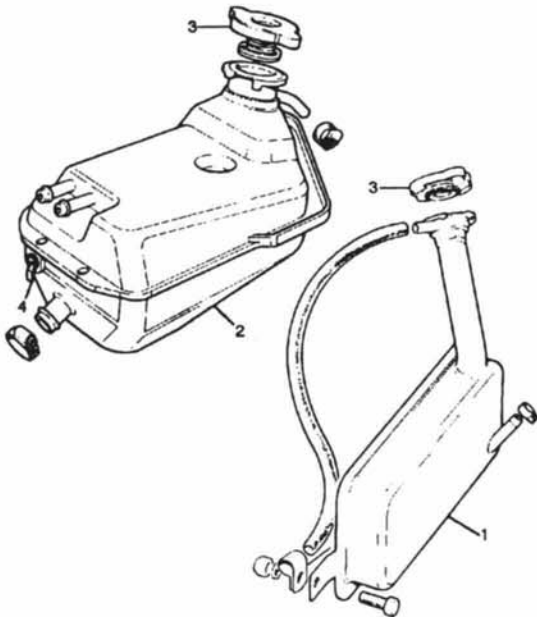


HEAT / COOLING



COOLING FANS

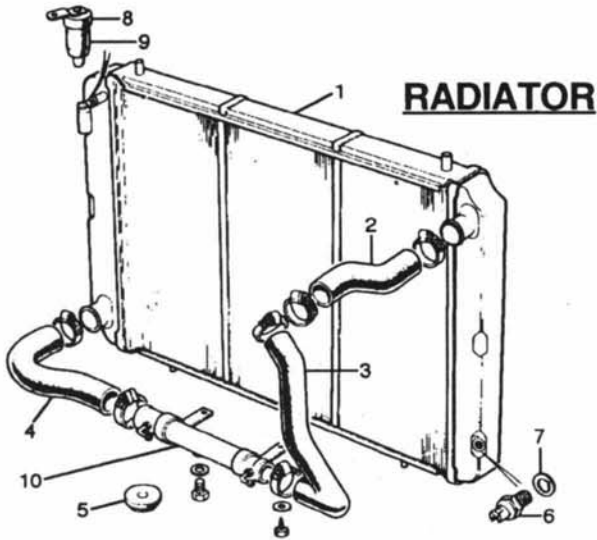
#	PART #	DESCRIPTION	QTY. REQ.
1.	C-39831	FAN BLADE METAL (79-82) TO VIN #330665	1
2.	C-45015	THERMOSTATIC CLUTCH (79-82) TO VIN #330665	1
3.	EAC-3266	FAN BLADE PLASTIC (83-ON) VIN #330666 ON	1
4.	EAC-4751	THERMOSTATIC CLUTCH (83-ON) VIN #330666 ON	1
5.	CAC-2047	AUXILARY FAN MOTOR	1
6.	CAC-2029	AUXILARY FAN BLADE	1
7.	33374	AUXILARY FAN MOTOR RELAY	1



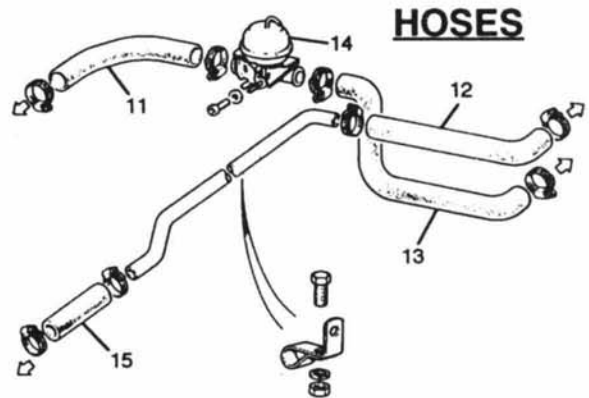
HEADER TANKS

#	PART #	DESCRIPTION	QTY. REQ.
1.	CAC-4338	TANK (1979-82) TO VIN #330665	1
2.	CAC-3636	TANK (1983-ON) VIN #330665 ON	1
3.	JLM-9652	RADIATOR CAP (15 LBS.)	1
4.	C-43222	LOW COOLANT SENSOR	1
4A.	C-43221	LOW COOLANT SENSOR SEAL	1

HEAT / COOLING



RADIATOR

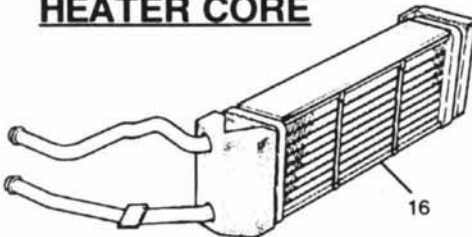


HOSES

RADIATOR & COOLING HOSES

#	PART #	DESCRIPTION
1.	CAC-3982	RADIATOR, NEW 1979-82 (TO VIN #330665)
	CAC-3982-U	RADIATOR, USED 1979-82 (TO VIN #330665)
	CAC-5064-1	RADIATOR, NEW 1983-ON (VIN #330666 ON)
	CAC-5064-1-U	RADIATOR, USED 1983-ON (VIN #330666 ON)
2.	CAC-2326	HOSE TOP 1979-82 (TO VIN #330665)
	CAC-4252	HOSE TOP 1983-ON (VIN #330666 ON)
3.	C-41097	HOSE, WATER PUMP TO OIL COOLER 1979-82 (TO VIN #330665)
	CAC-5152	HOSE, WATER PUMP TO OIL COOLER 1983-ON (VIN #330666 ON)
4.	C-41096-2	HOSE, OIL COOLER TO RADIATOR
5.	C-38333	MOUNTING PAD
6.	DAC-3061	SWITCH, AUXILARY COOLING FAN
7.	C-45759-3	SEALING WASHER
8.	C-43222	LOW COOLANT SENSOR 1979-82 (TO VIN #330665)
9.	C-43221	LOW COOLANT SENSOR BUSHING
10.	C-37666	COOLER, TRANSMISSION 1979-82 (TO VIN #330665)
	CAC-5143	COOLER, TRANSMISSION 1983-ON (VIN #330666 ON)

HEATER CORE



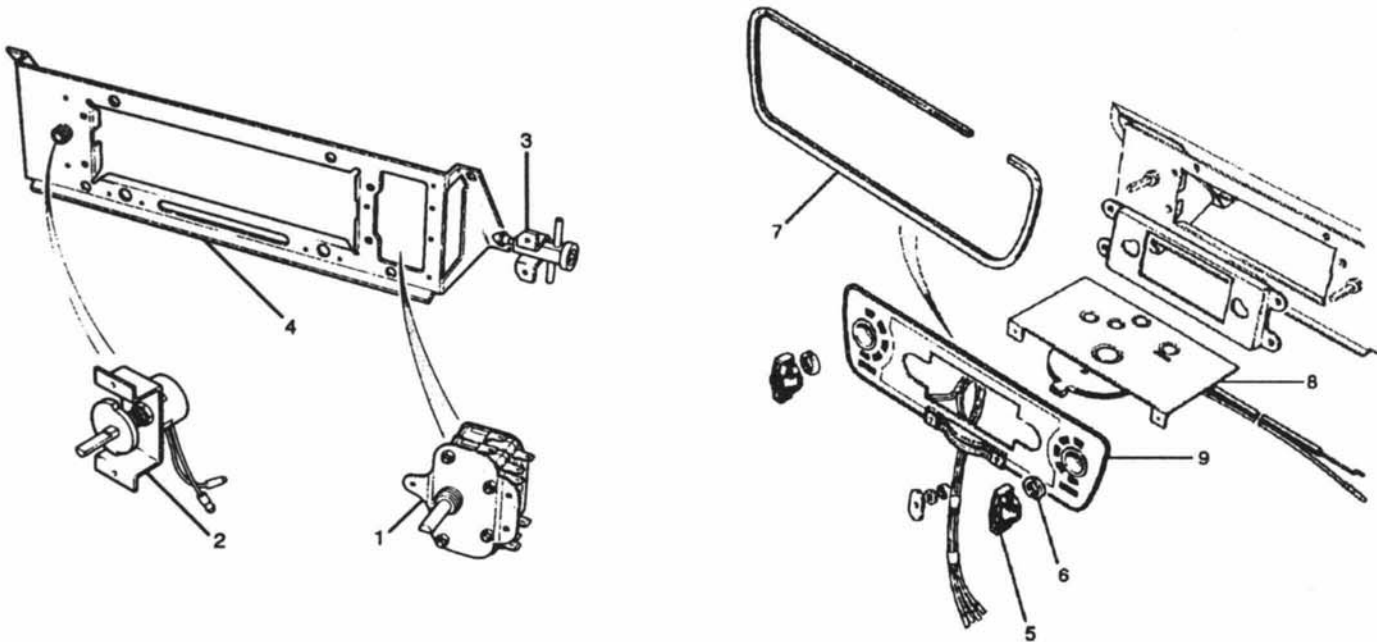
16

HEATER SYSTEM

11.	C-45016	HOSE PIPE TO HEATER VALVE
12.	C-43896	HOSE PIPE TO HEATER CORE
13.	C-41021	HEATER VALVE HOSE TO HEATER CORE
14.	C-41051	HEATER CONTROL VALVE
15.	C-41351	WATER PUMP HOSE TO PIPE (2)
16.	AEU-1195	HEATER CORE

NOTE: COMPLETE COOLING HOSE KITS AVAILABLE: GHK-114-2 COOLING HOSE KIT 1979-82 (UP TO VIN #330665)
GHK-114-3 COOLING HOSE KIT 1983-ON (VIN #330666-ON)

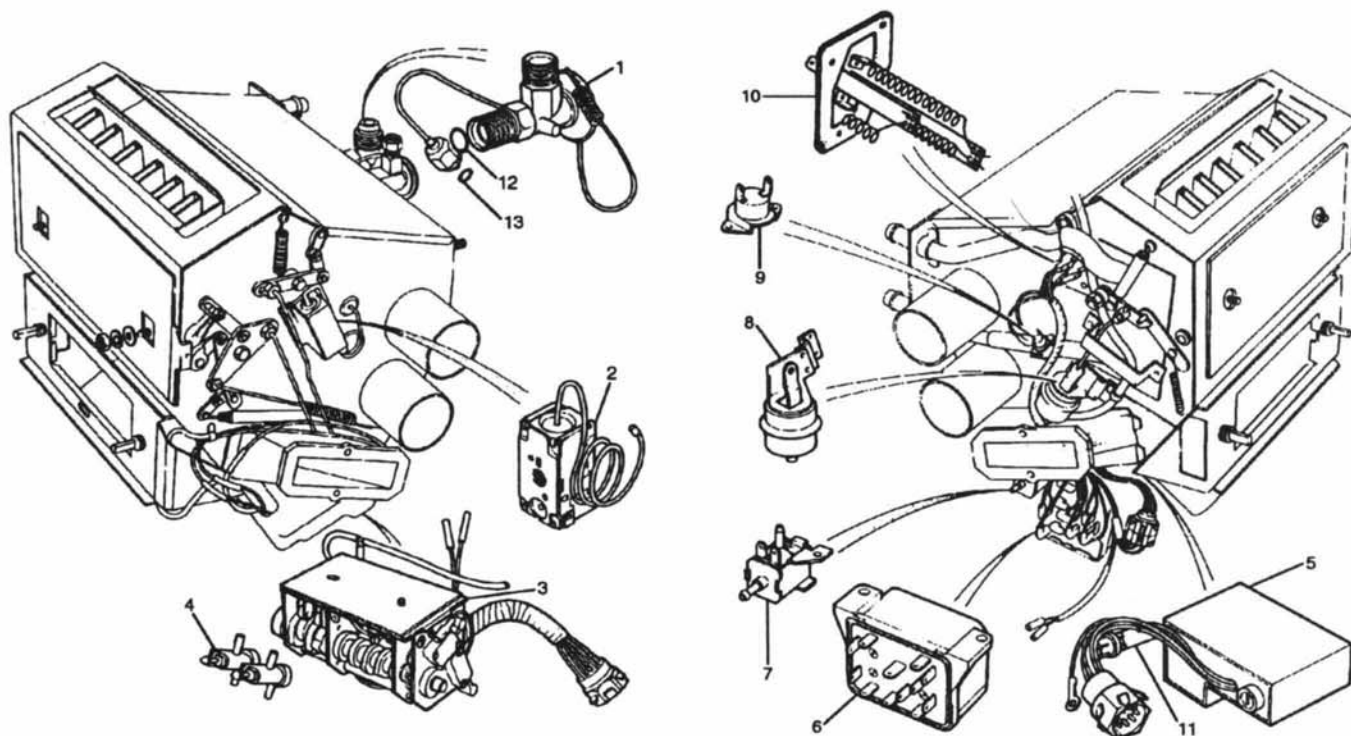
HEAT / COOLING



CONTROL PANEL

#	PART #	DESCRIPTION	QTY. REQ.
1.	AEU-2743	FAN CONTROL SWITCH	1
2.	RTC-1012	TEMPERATURE CONTROL SWITCH	1
3.	RTC-687	VACUUM SWITCH	1
4.	AEU-2742	SWITCH ASSEMBLY WITH ABOVE SWITCHES	1
5.	C-39413	A/C CONTROL KNOBS	2
6.	C-41403	SWITCH MOUNTING NUT	2
7.	BD-45909-2	SURROUND TRIM	1
8.	AEU-1686	FRESH AIR CONTROL	1
9.	DAC-2688	LIGHTED FACE PANEL (SILVER FACE)	1
9A.	BBC-7563	LIGHTED FACE PANEL (BLACK FACE)	1

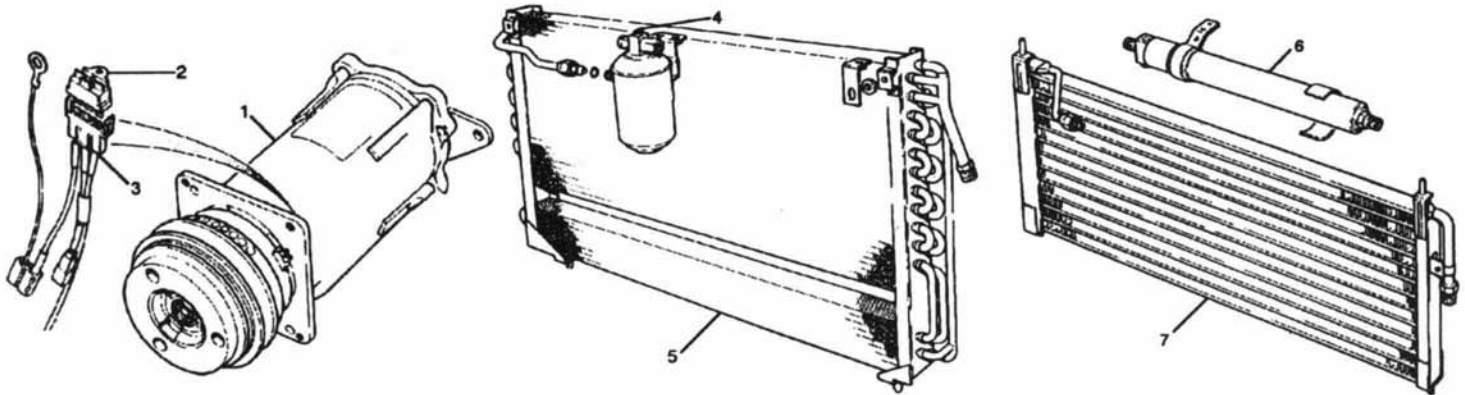




CONTROL UNITS

#	PART #	DESCRIPTION	QTY. REQ.
1.	CAC-2423	EXPANSION VALVE	1
2.	AEU-1675	THERMOSTAT	1
3.	JLM-523	SERVO CONTROL UNIT	1
3A.	JLM-523-R	REBUILT SERVO CONTROL UNIT	1
3B.	JLM-523-CR	CORE DEPOSIT REQUIRED	1
4.	RTC-1076	VACUUM VALVE	2
5.	C-45402	AMPLIFIER	1
6.	33369	RELAY	1
7.	RTC-670	VACUUM VALVE	1
8.	RTC-684	VACUUM ACTUATOR MOTOR	1
9.	RTC-672	TEMPERATURE SENSOR	1
10.	RTC-677	FAN SPEED RESISTANCE	1
11.	C-42648	THERMAL FUSE	1
12.	KRC-1156	O-RING	1
13.	KRC-1152	O-RING	1

HEAT / COOLING

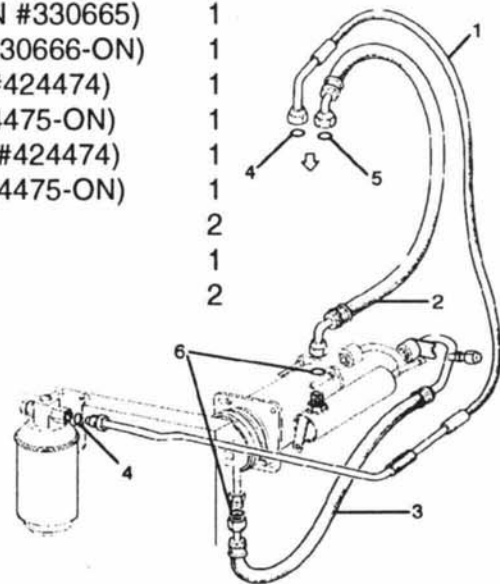


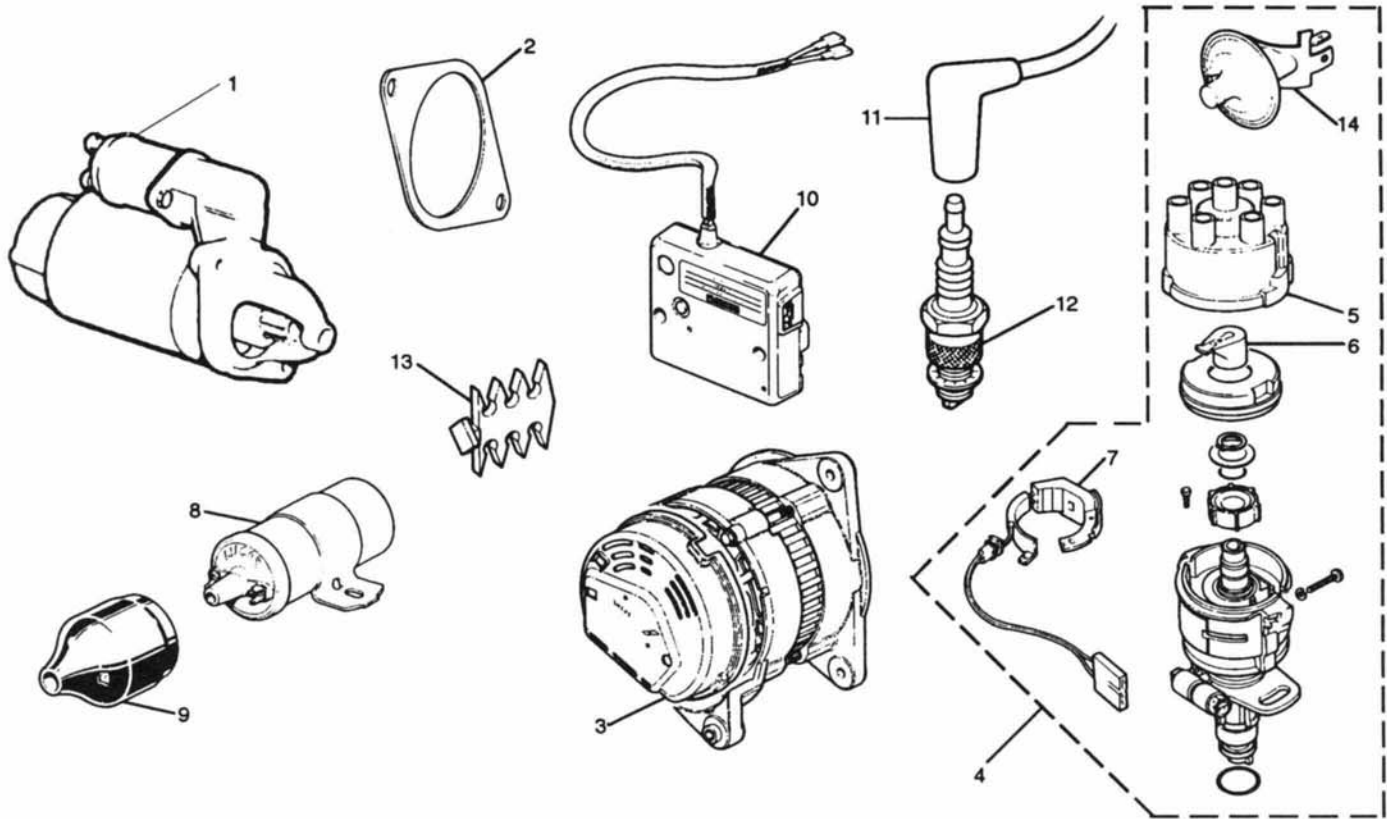
A/C COMPRESSOR / CONDENSOR

#	PART #	DESCRIPTION	QTY. REQ.
1.	JAG-405-R	COMPRESSOR REBUILT (TO VIN #310723)	1
1A.	EAC-1986-R	COMPRESSOR REBUILT (VIN #310724-ON)	1
2.	DAC-3374	THERMAL LIMITER	1
3.	DAC-1408	THERMAL LIMITER HARNESS (80-87) ALL	1
4.	CAC-2338	RECEIVER DRYER (TO VIN #330665)	1
5.	CAC-3119	A/C CONDENSOR (TO VIN #330665)	1
6.	CAC-1881	RECEIVER DRYER (VIN #330666-ON)	1
7.	CBC-2809	A/C CONDENSOR (VIN #330666-ON)	1

A/C HOSES

#	PART #	DESCRIPTION	QTY. REQ.
1.	CAC-2035	HOSE EVAPORATOR TO DRYER (TO VIN #330665)	1
1A.	CAC-4019	HOSE EVAPORATOR TO DRYER (VIN #330666-ON)	1
2.	CAC-1869	HOSE CONDENSOR TO EVAP. (TO VIN #424474)	1
2A.	CAC-6657	HOSE CONDENSOR TO EVAP. (VIN #424475-ON)	1
3.	CAC-3324	HOSE COMP. TO CONDENSOR (TO VIN #424474)	1
3A.	CAC-6665	HOSE COMP. TO CONDENSOR (VIN #424475-ON)	1
4.	KRC-1154	O-RING SEAL	2
5.	KRC-1158	O-RING SEAL	1
6.	KRC-1156	O-RING SEAL	2

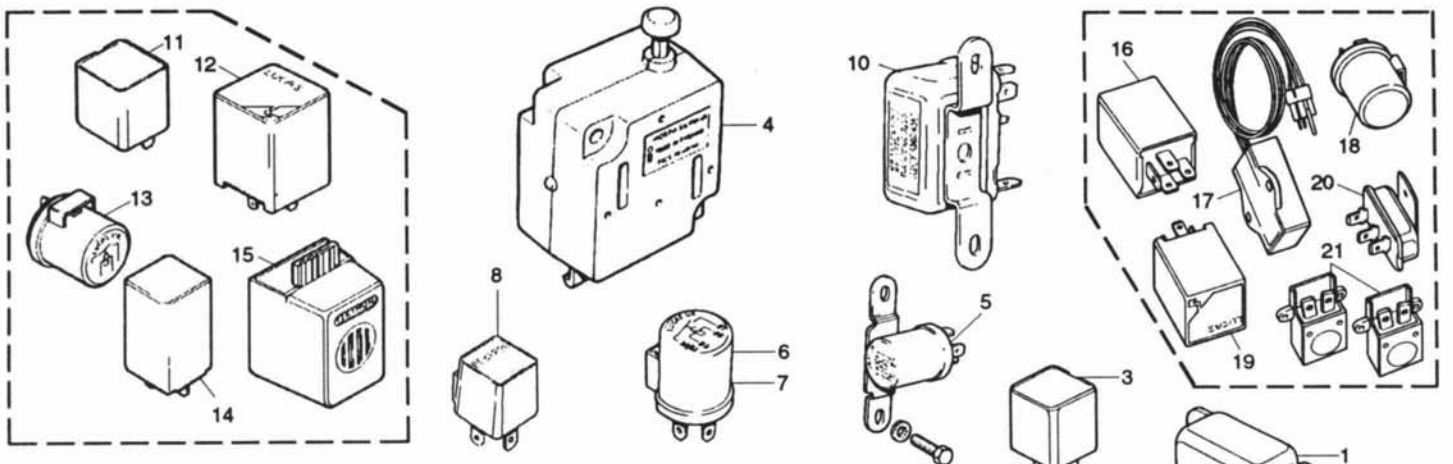




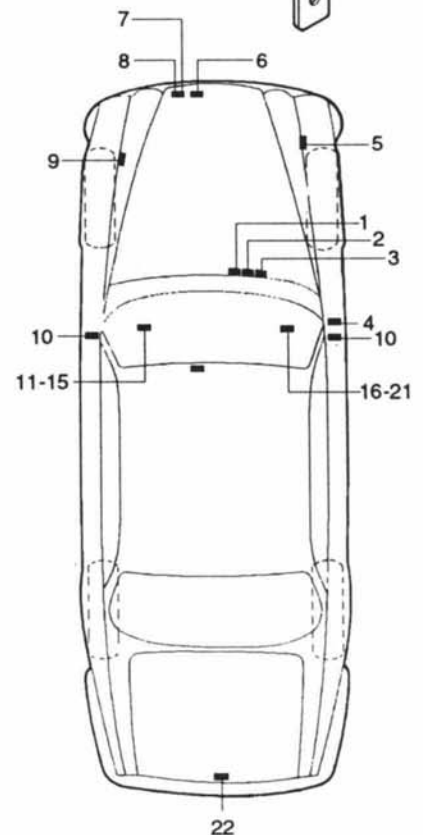
STARTER & ALTERNATOR

#	PART #	DESCRIPTION	QTY. REQ.
1.	S-3114-R	STARTER REBUILT	1
1A.	S-3114-CR	CORE DEPOSIT REQUIRED	1
2.	C-22488	STARTER SPACER RING	1
3.	A-2503	ALTERNATOR, REBUILT (UP TO VIN# 326017)	1
3A.	A-2503-CR	CORE DEPOSIT REQUIRED	1
3B.	A-2510	ALTERNATOR, REBUILT (VIN# 326018 ON)	1
3C.	A-2510-CR	CORE DEPOSIT REQUIRED	1
4.	41912	DISTRIBUTOR ASSEMBLY, COMPLETE	1
5.	DDB-152	DISTRIBUTOR CAP	1
6.	DRB-133	ROTOR	1
7.	54401004	PICKUP MODULE	1
8.	DLB-102	IGNITION COIL	1
9.	C-44550	IGNITION COIL COVER	1
10.	47259	AMPLIFIER	1
10A.	47259-R	AMPLIFIER, REBUILT	1
10B.	47259-CR	CORE DEPOSIT REQUIRED	1
11.	IGN-W6	SPARKPLUG WIRE SET	1
12.	N-11-YC	SPARK PLUG	6
13.	C-33460	CABLE SEPARATOR	4
14.	AEU-1503	ADVANCE UNIT (TO ENG. #8L106200)	1
14A.	AEU-1703	ADVANCE UNIT (ENG. #8L106201 ON)	1

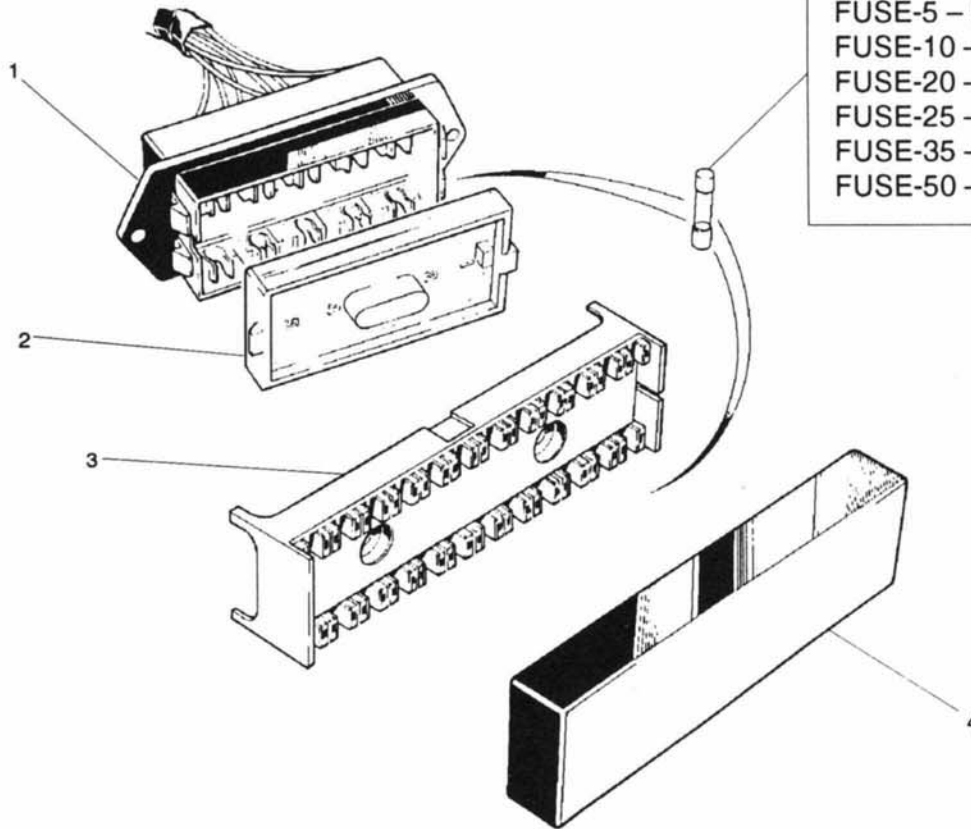
ELECTRICAL



#	PART #	DESCRIPTION
1.	C-36611	STARTER RELAY (LUCAS# 33356)
2.	AGU-1068	FUEL PUMP START RELAY (LUCAS# SRB-304)
	AGU-1068	FUEL PUMP RUN RELAY (LUCAS# SRB-304)
3.	DAC-1861	FUEL PUMP PROTECTION DIODE ("PEKTRON")
4.	DAC-1761	INERTIA / FUEL CUT OFF SWITCH
5.	DAC-1027	HORN RELAY (LUCAS# SRB-402)
NOTE: UP TO MID. 1981, THE HORN RELAY WAS MOUNTED WITH THE HORNS DOWN NEAR THE STEERING RACK.		
6.	DAC-1028	FAN RELAY (LUCAS# 33374)
7.	DAC-1027	HEADLAMP WASH/WIPER RELAY (LUCAS# 33374)
8.	DAC-1996	HEADLAMP WASH/WIPER RELAY MODULE
9.	C-38616	HEADLAMP DIP RELAY (HELLA)
10.	C-42381	DOOR LOCK SOLENOID RELAY (LUCAS #33357)
NOTE: THE UNITS IN ILLUSTRATIONS #11-15 ARE LOCATED ON THE FUSE PANEL TO THE LEFT OF THE STEERING COLUMN.		
11.	DAC-1562	BULB FAILURE RELAY
12.	DAC-1328	HEATED BACK GLASS RELAY/DELAY
13.	DAC-1027	IGNITION PROTECTION RELAY (LUCAS# SRB-402)
14.	DAC-1731	TURN SIGNAL FLASHER
15.	C-46194	WARNING BUZZER/LOGIC BOX
NOTE: THE UNITS IN ILLUSTRATIONS #16-21 ARE LOCATED ON THE FUSE PANEL TO THE RIGHT OF THE GLOVE BOX AND SHOULD BE INSERTED AFTER #15.		
16.	DAC-1329	WIPER DELAY UNIT
17.	C-44031	LOW COOLANT TRANSMITTER (TO VIN# 333280)
17A.	DAC-2812	LOW COOLANT TRANSMITTER (VIN# 333281 ON)
18.	DAC-1027	WINDOW LIFT RELAY (LUCAS# SRB-402)
19.	33384	INTERIOR LAMP DELAY (VIN# 330088 ON)
20.	C-42984	LAMP FAILURE TRANSMITTER (TO VIN# 301854)
20A.	DAC-1910	LAMP FAILURE TRANSMITTER (VIN# 301855 ON)
NOTE: ADDITIONAL COMPONENTS OF THE BULB FAILURE WARNING SYSTEM ARE LOCATED IN THE TRUNK - SEE "ELECTRICAL: INTERIOR LAMPS" SECTION.		
21.	C-38955	THERMAL CUTOUT
22.	DAC-1820	ANTENNA RELAY / DELAY (LUCAS #33388)



FUSE BOXES AND FUSES



FUSES

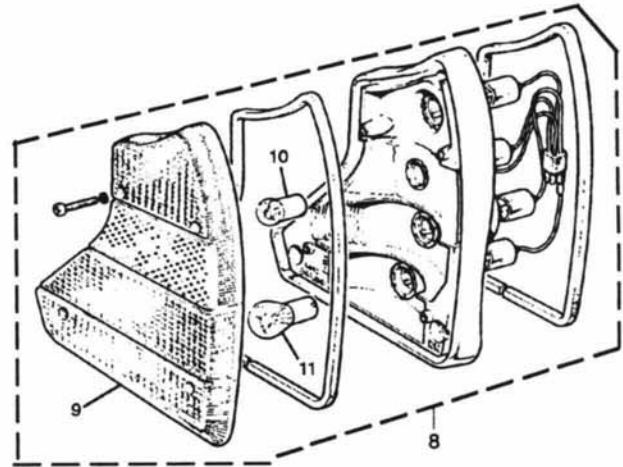
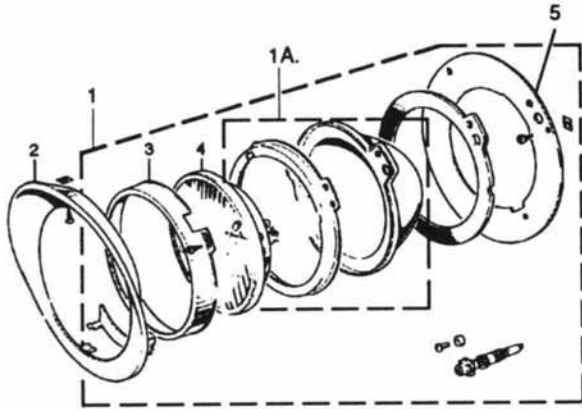
PART #	DESCRIPTION	QTY. REQ.
FUSE-2	2AMP.	A/R
FUSE-5	5AMP.	A/R
FUSE-10	10AMP.	A/R
FUSE-20	20AMP.	A/R
FUSE-25	25AMP.	A/R
FUSE-35	35AMP.	A/R
FUSE-50	50AMP.	A/R

FUSE BOXES

#	PART #	DESCRIPTION	QTY. REQ.
1.	AAU-5037	FUSE BOX	2
2.	AEU-1568	FUSE BOX COVER	2
3.	AEU-1492	FUSE BOX	1
4.	RTC-1061	FUSE BOX COVER	1

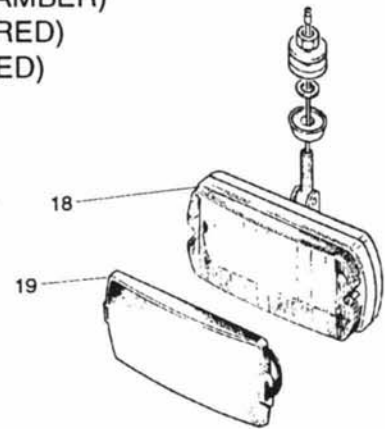
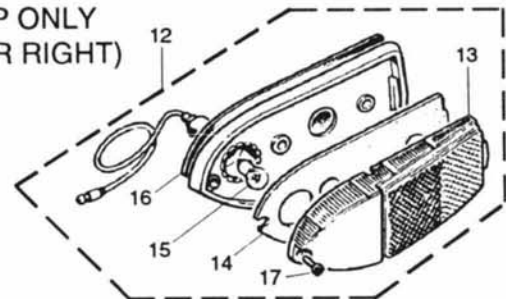
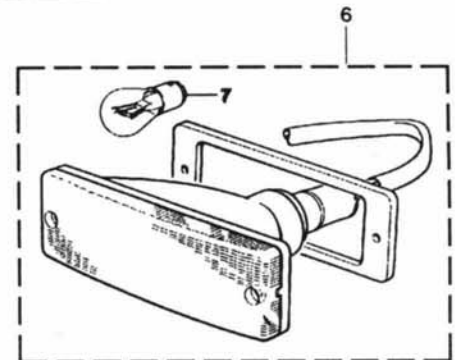


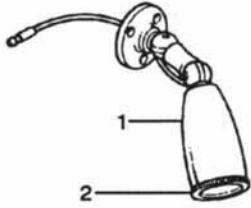
ELECTRICAL



EXTERIOR LAMPS

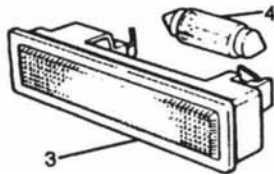
#	PART #	DESCRIPTION
1.	61500	HEADLAMP ASSEMBLY
1A.	61500-BARE	HEADLAMP BUCKET
2.	DAC-2110	RIM FOR OUTER HEADLAMP
2A.	DAC-2115	RIM FOR INNER HEADLAMP
3.	54524588	BULB RETAINING RING (INNER OR OUTER)
4.	JLM-9605	INNER HIGH BEAM BULB, TUNGSTEN
4A.	WAG-HI	INNER (HIGH BEAM) BULB, HALOGEN
4B.	WAG-LO	OUTER (HIGH/LOW BEAM) BULB, HALOGEN
5.	C-19911	ADAPTER PLATE FOR OUTER HEADLAMP ONLY
6.	56881	TURN SIGNAL LAMP ASSEMBLY (LEFT OR RIGHT)
7.	LLB-380	TURN SIGNAL LAMP BULB
8.	56924	TAIL LAMP ASSEMBLY, RIGHT-HAND
8A.	56925	TAIL LAMP ASSEMBLY, LEFT-HAND
9.	54590958	LENS, RIGHT-HAND
9A.	54590959	LENS, LEFT-HAND
10.	LLB-207	TAIL LAMP BULB
11.	LLB-382	STOP/TURN SIGNAL BULB
12.	56132	FRONT SIDE MARKER ASSEMBLY, RIGHT-HAND (AMBER)
	56133	FRONT SIDE MARKER ASSEMBLY, LEFT-HAND (AMBER)
	54972	REAR SIDE MARKER ASSEMBLY, RIGHT-HAND (RED)
	54971	REAR SIDE MARKER ASSEMBLY, LEFT-HAND (RED)
13.	54579189	LENS, RH FRONT (AMBER)
	54579190	LENS, LH FRONT (AMBER)
	54579191	LENS, RH REAR (RED)
	54579192	LENS, LH REAR (RED)
14.	54579306	SEAL, LENS TO BASE
15.	LLB-233	BULB
16.	BD-38039	SEAL, BASE TO BODY
17.	SM-SCREW	LENS RETAINING SCREW
18.	DAC-4241	FOG LAMP
19.	JLM-1410	FOG LAMP COVER WITH JAGUAR MOTIF





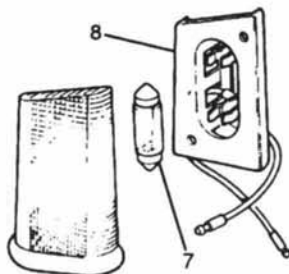
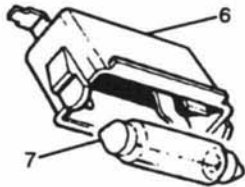
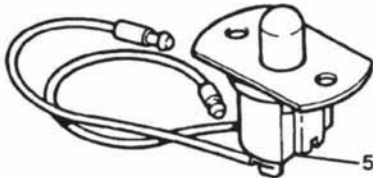
INTERIOR LAMPS AND SWITCHES

#	PART #	DESCRIPTION	QTY. REQ.
1.	C-35055	READING LAMP (VANDEN PLAS)	2
2.	JLM-1791	LENS, READING LAMP	2
3.	DAC-1659	BOOT (TRUNK) LAMP	1
4.	LLB-239	BULB, BOOT LAMP	1
5.	DAC-1569	LAMP SWITCH, DOOR JAMB AND TRUNK	5
6.	C-27999	MAP LAMP	1
7.	C-31106	BULB, MAP LAMP AND DOOR POST	3
8.	DAC-2040	DOOR POST LAMP ASSEMBLY, RH	1
8A.	DAC-2041	DOOR POST LAMP ASSEMBLY, LH	1

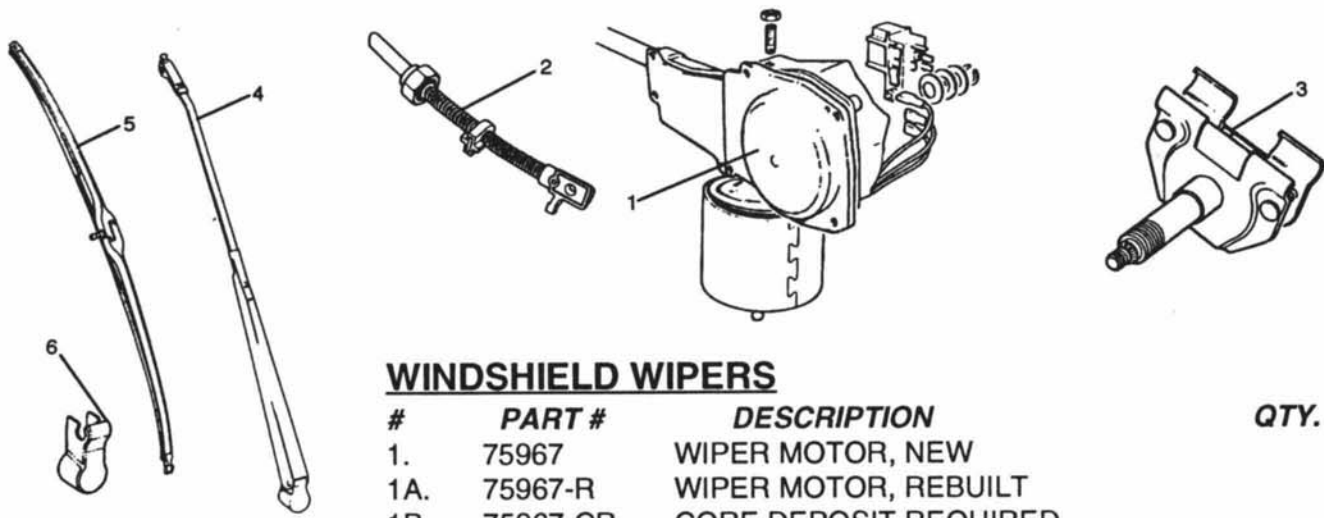


EXTERIOR LAMP FAILURE TRANSMITTERS

9.	C-42984	FAILURE TRANSMITTER (TO VIN #301854)	3
9A.	DAC-1909	FAILURE TRANSMITTER (VIN #301855 ON)	3
10.	C-42291	TRANSMITTER (VIN #301855 ON ONLY)	1

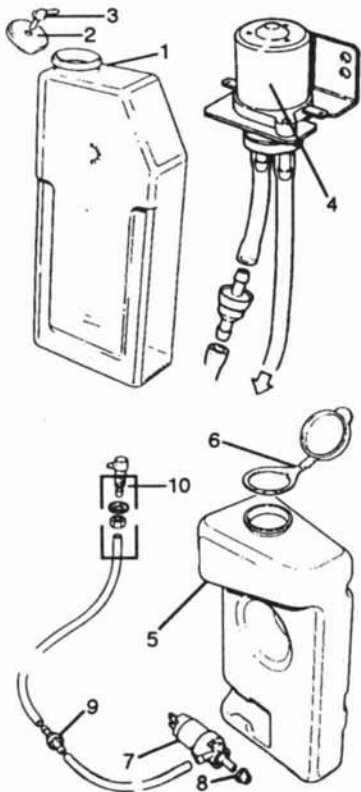


ELECTRICAL



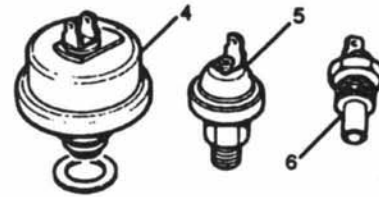
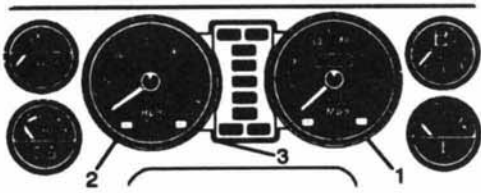
WINDSHIELD WIPERS

#	PART #	DESCRIPTION	QTY. REQ.
1.	75967	WIPER MOTOR, NEW	1
1A.	75967-R	WIPER MOTOR, REBUILT	1
1B.	75967-CR	CORE DEPOSIT REQUIRED	1
2.	AEU-1727	WIPER CABLE (RACK)	1
3.	AEU-2589	WHEELBOX, LH (DRIVERS SIDE)	1
3A.	AEU-2590	WHEELBOX, RH (PASSENGER SIDE)	1
4.	DAC-3433	WIPER ARM, LEFT HAND	1
4A.	DAC-3434	WIPER ARM, RIGHT HAND	1
5.	DAC-3435	WIPER BLADE	2
NOTE: THIS IS THE COMPLETE BLADE ASSEMBLY - THE RUBBER BLADE IS NOT AVAILABLE SEPERATELY.			
6.	BAU-1124	WIPER ARM NUT COVER	2



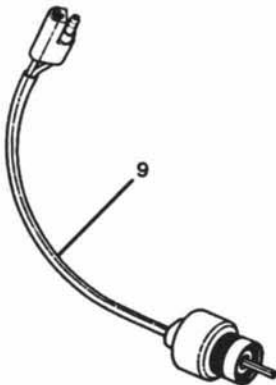
WINDSHIELD WASHER

#	PART #	DESCRIPTION	QTY. REQ.
1.	C-36736	RESERVOIR (TO VIN #385664)	1
2.	JLM-9644	RESERVOIR CAP (TO VIN #385664)	1
3.	DAC-1322	RESERVOIR CAP FITTING (TO VIN #385664)	1
4.	C-44170	PUMP (TO VIN #385664)	1
5.	DAC-3456	RESERVOIR (VIN #385665 ON)	1
6.	DAC-4888	RESERVOIR CAP (VIN #385665 ON)	1
7.	DAC-2876	PUMP (VIN #385665 ON)	1
8.	BAU-2043	PUMP SEAL (VIN #385665 ON)	1
9.	C-44207	CHECK VALVE (ALL VIN NUMBERS)	1
10.	DAC-2923	JET (ALL VIN NUMBERS)	1

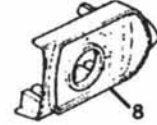
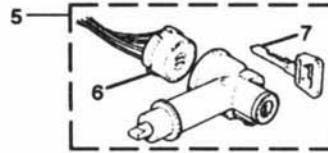
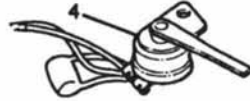
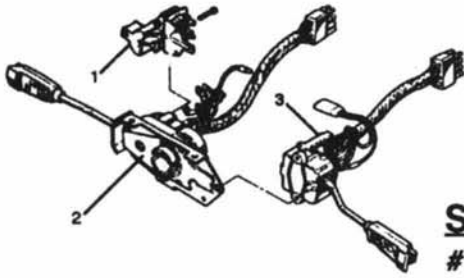


INSTRUMENT PANEL

#	PART #	DESCRIPTION	QTY. REQ.
1.	SN-6173-02	SPEEDOMETER, 140 MPH (TO VIN #307852)	1
1A.	SN-6173-05	SPEEDOMETER, 80 MPH (VIN #307853-331345)	1
NOTE: THE ABOVE SPEEDOMETERS ARE THE MECHANICAL TYPE, OPERATED BY A CABLE FROM THE TRANSMISSION.			
1B.	DAC-2830	SPEEDOMETER 140 MPH (VIN #331346 ON)	1
NOTE: SOME CARS EQUIPPED WITH THE ELECTRONIC SPEEDOMETER MAY ONLY READ TO 80 MPH. THE 140 MPH LISTED ABOVE IS A DIRECT REPLACEMENT.			
2.	DAC-3008	TACHOMETER	1
NOTE: THE FOUR SMALL INSTRUMENTS WERE SUPPLIED BY TWO MANUFACTURERS, SMITHS & VEGLIA. ALL BUT THE EARLIEST CARS USE VEGLIA, THE TYPE WITH PICTOGRAMS. SMITHS SAY "SMITHS" AND USE THE WORD, E.G., "VOLTS" TO IDENTIFY THE INSTRUMENT. PLEASE INQUIRE IF YOU NEED ANY OF THESE SMALL INSTRUMENTS.			
3.	DAC-1348	WARNING LAMP CLUSTER	1
3A.	LLB-286	WARNING LAMP BULB	A/R
4.	PTR-1001-10	OIL PRESSURE GAUGE SENDING UNIT	1
5.	PS-5320-6-03	OIL PRESSURE WARNING LAMP SWITCH	1
6.	TT-4803	WATER TEMPERATURE GAUGE SENDER	1
	LLB-987	INSTRUMENT ILLUMINATION BULB	A/R
	LLB-504	TURN SIGNAL INDICATOR BULB	A/R
	LLB-987	LAMP FAILURE WARNING BULB	1
	LLB-281	E.G.R. WARNING LAMP BULB	1
7.	BG-2402-07	ANGLE DRIVE, TRANS. (TO VIN #331345)	1
7A.	BG-2402-07-R	ANGLE DRIVE, TRANSMISSION, REBUILT	1
7B.	BG-2402-CR	CORE DEPOSIT REQUIRED	1
8.	BG-2413-30	ANGLE DRIVE, SPEEDO. (TO VIN #331345)	1
9.	TES-1800-302	TRANSDUCER, SPEEDO. (VIN #331346 ON)	1

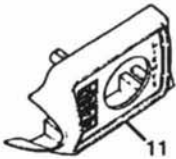
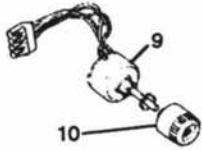


ELECTRICAL



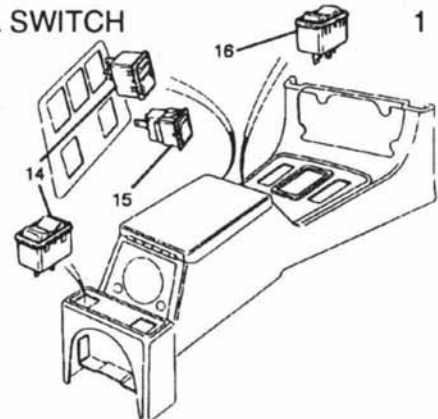
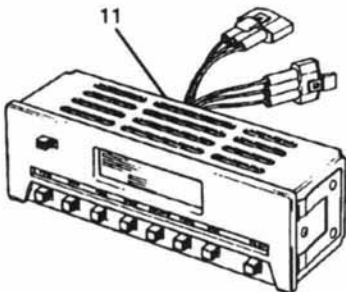
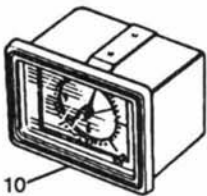
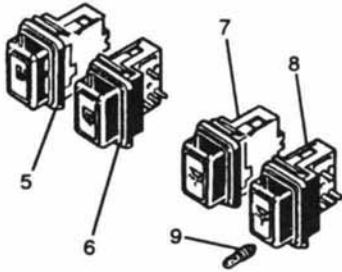
STEERING COLUMN

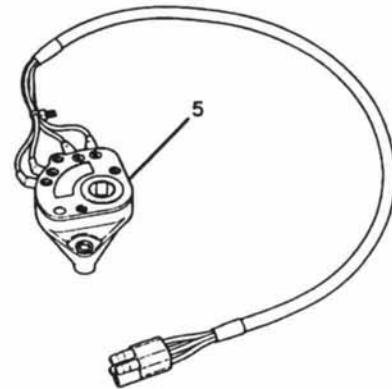
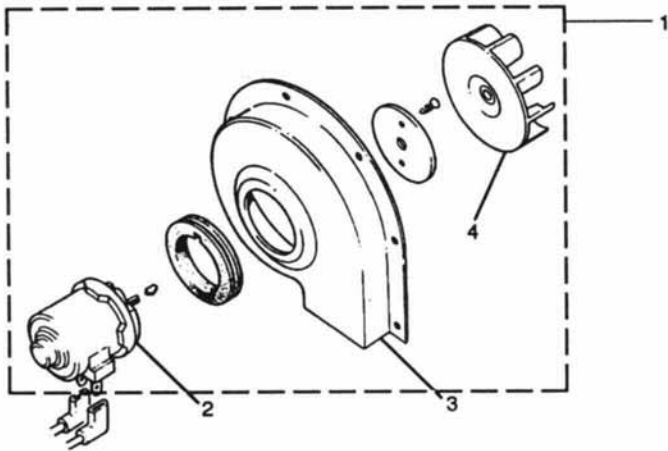
#	PART #	DESCRIPTION	QTY. REQ.
1.	33817	HAZARD WARNING SWITCH	1
2.	33780	TURN SIGNAL SWITCH (TO VIN #313770)	1
2A.	34141	TURN SIGNAL SWITCH (TO VIN #346687)	1
2B.	35360	TURN SIGNAL SWITCH (VIN #346688 ON)	1
3.	33781	WIPER SWITCH (TO VIN #313770)	1
3A.	35314	WIPER SWITCH (TO VIN #346687)	1
3B.	35362	WIPER SWITCH (VIN #346688 ON)	1
4.	33814	BRAKE LAMP SWITCH	1
5.	DAC-4135	IGNITION LOCK & SWITCH ASSEMBLY	1
6.	35315	IGNITION SWITCH	1
7.	590950	IGNITION KEY BLANK	A/R
8.	DAC-3144	IGNITION SWITCH COVER	1
9.	33998	HEADLIGHT SWITCH	1
10.	DAC-3139	KNOB	1
11.	DAC-3090	HEADLIGHT SWITCH COVER	1



CONSOLE

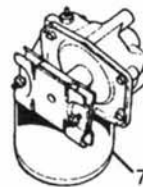
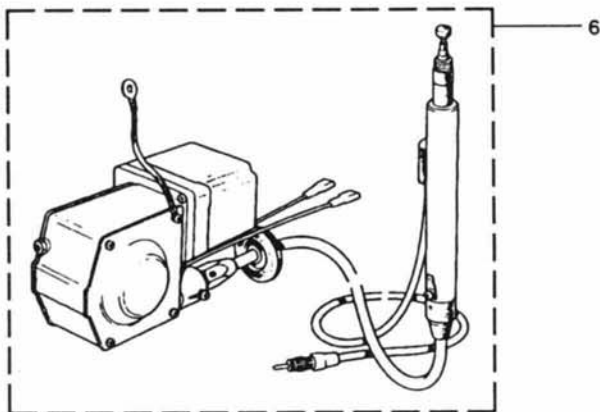
5.	33786	FUEL CHANGE-OVER SWITCH	1
6.	33785	REAR WINDOW DEFOGGER SWITCH	1
7.	33787	MAP LAMP SWITCH	1
8.	33788	INTERIOR LAMP SWITCH	1
9.	LLB-281	SWITCH ILLUMINATION BULB	A/R
10.	DAC-1571	CLOCK	1
11.	DAC-3758-R	TRIP COMPUTER, REBUILT	1
11A.	DAC-3758-CR	CORE DEPOSIT REQUIRED	1
12.	BAC-7015	MOTIF	1
13.	78574	PANEL LAMP DIMMER SWITCH	1
14.	35258	WINDOW LIFT / SUNROOF SWITCH	6
15.	39980	MASTER WINDOW LIFT SWITCH	1
16.	33843	CRUISE CONTROL SWITCH	1



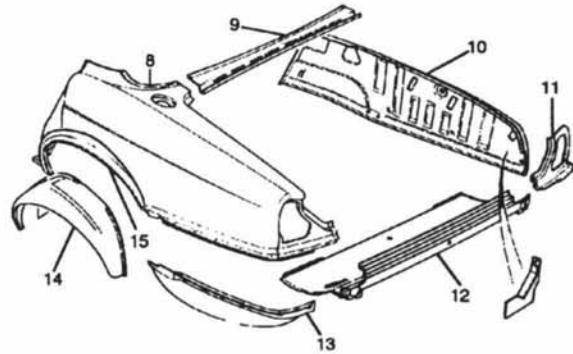
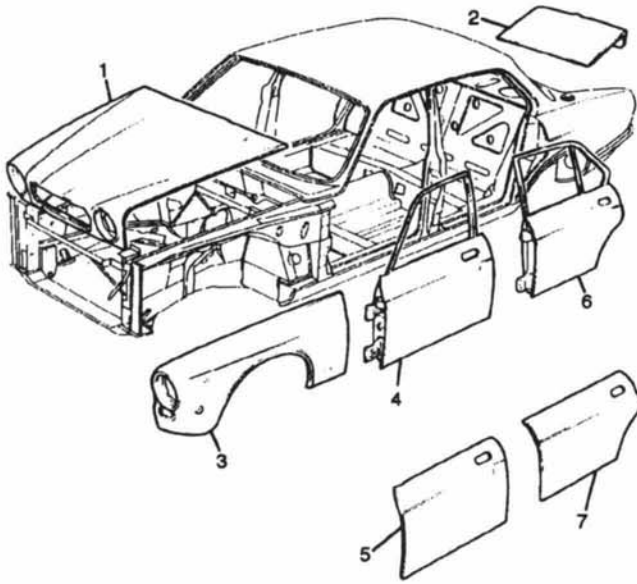


MISCELLANEOUS

#	PART #	DESCRIPTION	QTY. REQ.
1.	C-36757	BATTERY FAN ASSEMBLY (TO VIN #310612)	1
2.	C-42535	COOLING FAN MOTOR	1
3.	C-39363	COOLING FAN COVER	1
4.	C-39366	COOLING FAN BLADE	1
5.	DAC-4155	NEUTRAL/REVERSE SWITCH (ON TRANS.)	1
6.	DAC-4090	ANTENNA ASSEMBLY	1
7.	BBC-7649	SUNROOF MOTOR & GEARBOX ASSEMBLY	1



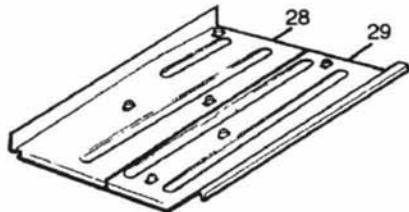
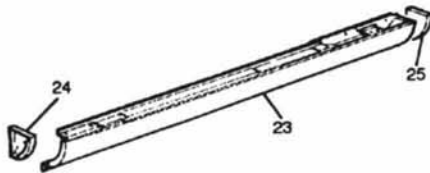
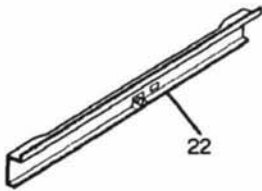
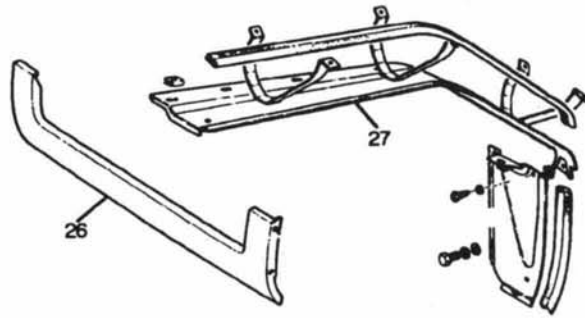
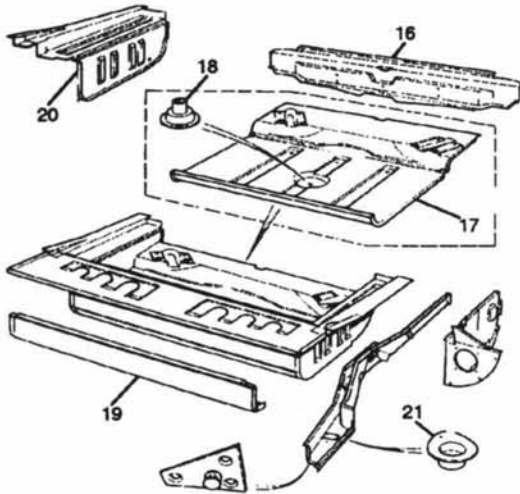
BODY PANELS



#	PART #	DESCRIPTION	QTY. REQ.
1.	AKP-464	BONNET	1
2.	AKP-373	BOOT LID	1
3.	AKP-374	RH FRONT FENDER	1
3A.	AKP-375	LH FRONT FENDER	1
4.	AKP-470	RHF DOOR SHELL	1
4A.	AKP-471	LHF DOOR SHELL	1
5.	AKP-2	RHF DOOR SKIN	1
5A.	AKP-3	LHF DOOR SKIN	1
6.	AKP-474	RHR DOOR SHELL	1
6A.	AKP-475	LHR DOOR SHELL	1
7.	AKP-4	RHR DOOR SKIN	1
7A.	AKP-5	LHR DOOR SKIN	1
8.	AKP-346	RH REAR FENDER	1
8A.	AKP-347	LH REAR FENDER	1
9.	AKP-310	REAR TONNEAU PANEL	1
10.	AKP-708	RH INNER BOOT PANEL	1
10A.	AKP-709	LH INNER BOOT PANEL	1
11.	AKP-400	RHR TAIL LAMP MOUNT PANEL	1
11A.	AKP-401	LHR TAIL LAMP MOUNT PANEL	1
12.	AKP-706	REAR VALANCE PANEL	1
13.	AKP-710	RHR LOWER QUARTER	1
13A.	AKP-711	LHR LOWER QUARTER	1
14.	AKP-168	RH REAR INNER FENDER	1
14A.	AKP-169	LH REAR INNER FENDER	1
15.	OR-125	RH WHEEL ARCH REPAIR PANEL	1
15A.	OR-125	LH WHEEL ARCH REPAIR PANEL	1

CONTINUED...

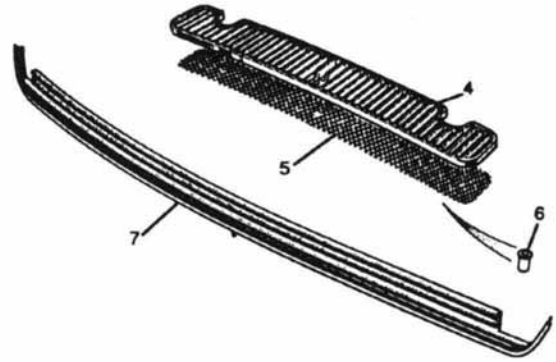
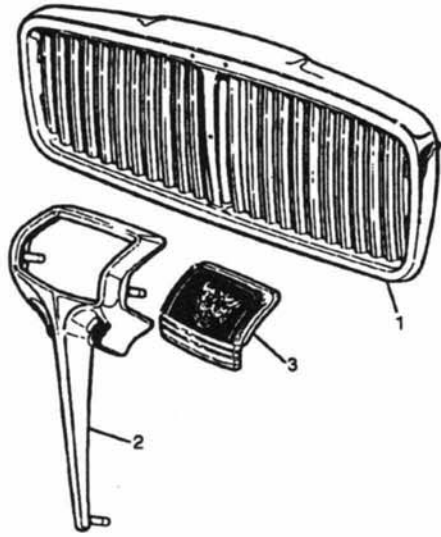
BODY PANELS



#	PART #	DESCRIPTION	QTY. REQ.
16.	RTC-1185	INNER BOOT CLOSING PANEL	1
17.	RTC-539	SPARE TIRE FLOOR	1
18.	6984	SPARE TIRE BOLT RECEIVER	1
19.	RTC-646	FRONT BOOT CLOSING PANEL	1
20.	12130	RH BOOT CLOSING PANEL	1
20A.	12131	LH BOOT CLOSING PANEL	1
21.	JS-254	RADIUS ARM MOUNT CUP	2
22.	JS-599	RH INNER SILL	1
22A.	JS-600	LH INNER SILL	1
23.	JS-593	RH OUTER SILL	1
23A.	JS-594	LH OUTER SILL	1
24.	12198	RH FRONT SILL END	1
24A.	12220	LH FRONT SILL END	1
25.	12510	RH REAR SILL END	1
25A.	12511	LH REAR SILL END	1
26.	JS-683	FRONT VALANCE PANEL	1
27.	AKP-740	RH FRONT SPLASH PANEL	1
27A.	AKP-741	LH FRONT SPLASH PANEL	1
28.	JS-604	RH FLOOR PAN	1
29.	JS-605	LH FLOOR PAN	1

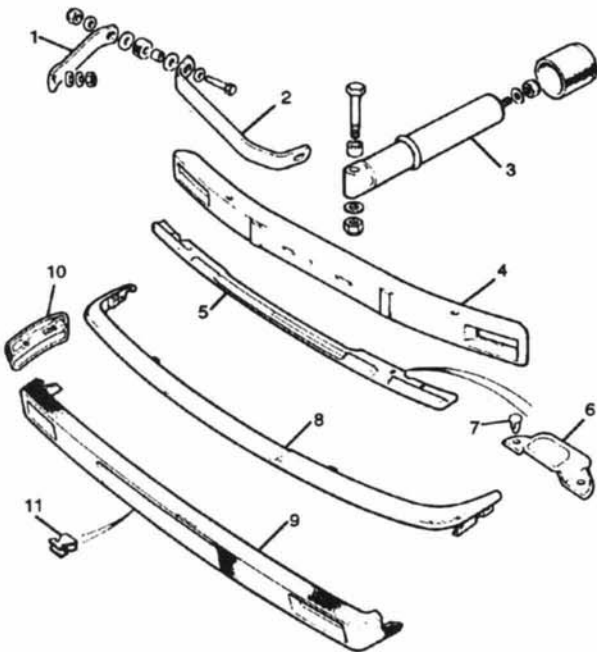


BODY FITTINGS



BONNET AREA

#	PART #	DESCRIPTION	QTY. REQ.
1.	BAC-1573	CHROME GRILLE	1
2.	BAC-1063	MOTIF BAR	1
3.	BD-42436	MOTIF BADGE	1
4.	BAC-1020	WIPER GRILLE	1
5.	BAC-1021	WIPER GRILLE MESH	1
6.	BD-26989	MOUNTING BUSHINGS	1
7.	BAC-2479	LOWER GRILLE	1

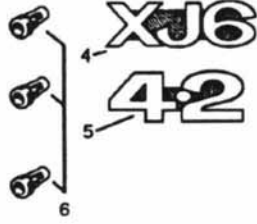


FRONT BUMPER

#	PART #	DESCRIPTION	QTY. REQ.
1.	BAC-1360	RHF OUTER BUMPER BRACKET	1
1A.	BAC-3161	LHF OUTER BUMPER BRACKET	1
2.	BAC-4194	RHF INNER BUMPER BRACKET	1
2A.	BAC-4195	LHF INNER BUMPER BRACKET	1
3.	BD-48649	BUMPER SHOCK	2
4.	BAC-1610	FRONT ALLOY BUMPER BEAM	1
5.	BAC-2432	BUMPER FILLER	1
6.	BAC-2433	FINISH COVER	2
7.	BAC-2780	MOUNTING STUD	4
8.	BAC-1242	BUMPER CHROME	1
9.	BAC-1170	BUMPER RUBBER COVER	1
10.	BAC-1344	RH RUBBER BUMP. EXTENSION	1
10A.	BAC-1345	LH RUBBER BUMP. EXTENSION	1
11.	BD-21962	MOUNTING CLIP	9

BODY FITTINGS

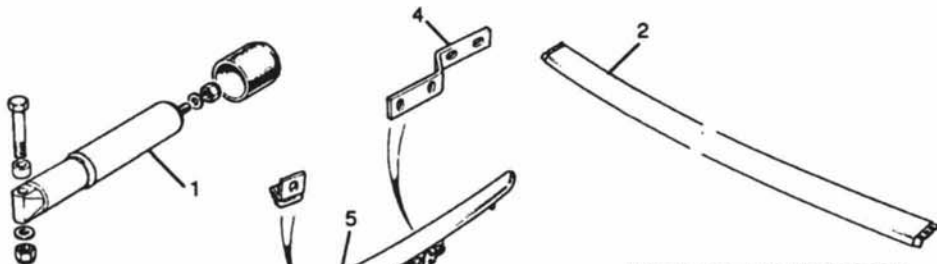
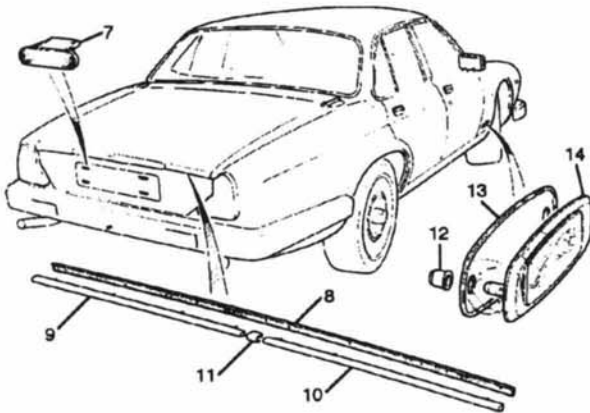
JAGUAR
Sovereign
Vanden Plas



BOOT AREA

#	PART #	DESCRIPTION	QTY. REQ.
1.	BAC-1663	MOTIF "JAGUAR"	1
2.	BBC-6022	MOTIF "SOVEREIGN"	1
3.	BBC-6023	MOTIF "VANDEN PLAS"	1
4.	BBC-6016	MOTIF "XJ6"	1
5.	BAC-1658	MOTIF "4.2"	1
6.	BAC-1681	FRICTION BUSHING	8
7.	BD-6581	LICENSE HOLE PLUG	4
8.	BAC-4933	REAR CHROME SEAL	1
9.	BAC-1835	LH BOOT TRIM	1
10.	BAC-1834	RH BOOT TRIM	1
11.	BAC-2726	JOINER CLIP	1
12.	* BD-26989	FRICTION BUSHING	4
13.	BD-38887	MOTIF SEAL (TO VIN #343677)	
13A.	* BAC-4329	MOTIF SEAL (VIN #343678-ON)	
14.	BAC-2802	RH FENDER MOTIF (TO VIN #343677)	
14A.	* BAC-5392	RH FENDER MOTIF (VIN #343678-ON)	
14B.	BAC-2803	LH FENDER MOTIF (TO VIN #343677)	
14C.	* BAC-5393	LH FENDER MOTIF (VIN #343678-ON)	

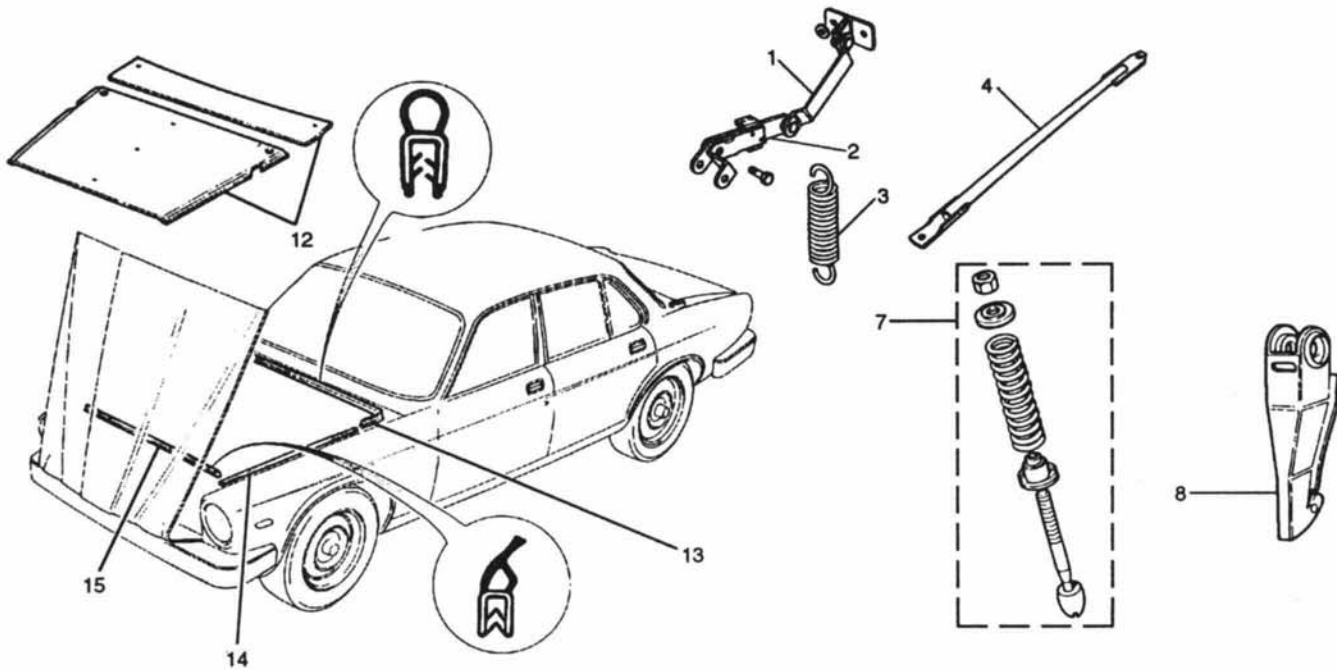
* NOTE: JAGUAR HAS CHANGED THE WAY THE LATE BADGE MOTIF IS MOUNTED. ORIGINALLY, IT WAS MOUNTED USING THE BAC-4329 SEAL AND BD-26989 FRICTION BUSHINGS. THE MOTIFS NOW SUPPLIED HAVE AN ADHESIVE BACK AND DO NOT USE THE GASKET OR BUSHING.



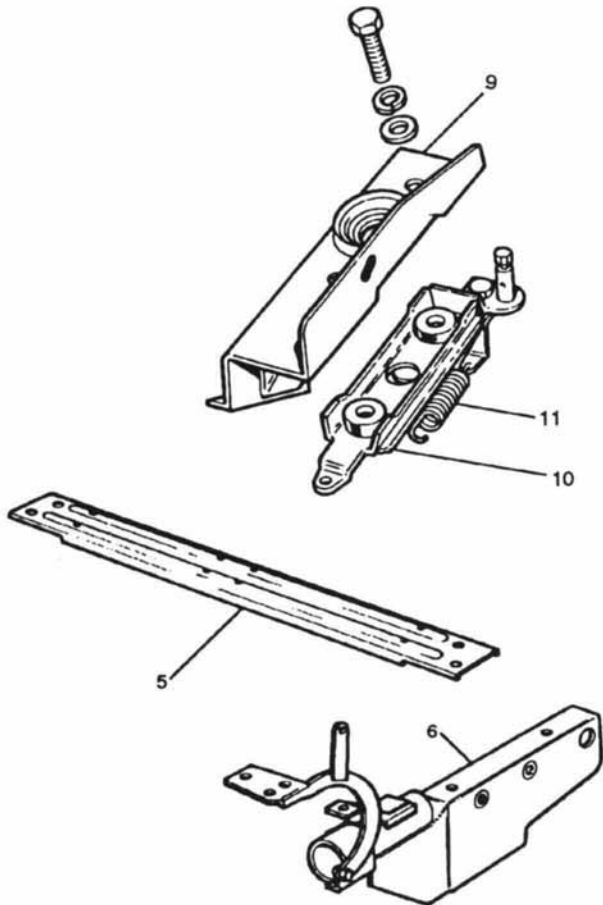
REAR BUMPER

#	PART #	DESCRIPTION	QTY. REQ.
1.	BD-48649	BUMPER SHOCK	2
2.	BAC-4382	CHROME CENTER BUMPER	1
3.	BD-44707	RH SIDE MOUNT BRACKET	1
3A.	BD-44708	LH SIDE MOUNT BRACKET	1
4.	BAC-1365	FRONT SIDE MOUNT BRACKET	2
5.	BAC-4380	RH CHROME BUMP. EXTENSION	1
5A.	BAC-4381	LH CHROME BUMP. EXTENSION	1
6.	BAC-1622	ALLOY BUMPER BEAM	1
7.	BAC-1151	BUMPER RUBBER COVER	1
8.	BAC-2516	RH RUBBER BUMP. EXTENSION	1
8A.	BAC-2517	LH RUBBER BUMP. EXTENSION	1
9.	BAC-2530	RH MOUNT BRACKET	1
9A.	BAC-2531	LH MOUNT BRACKET	1

BODY FITTINGS



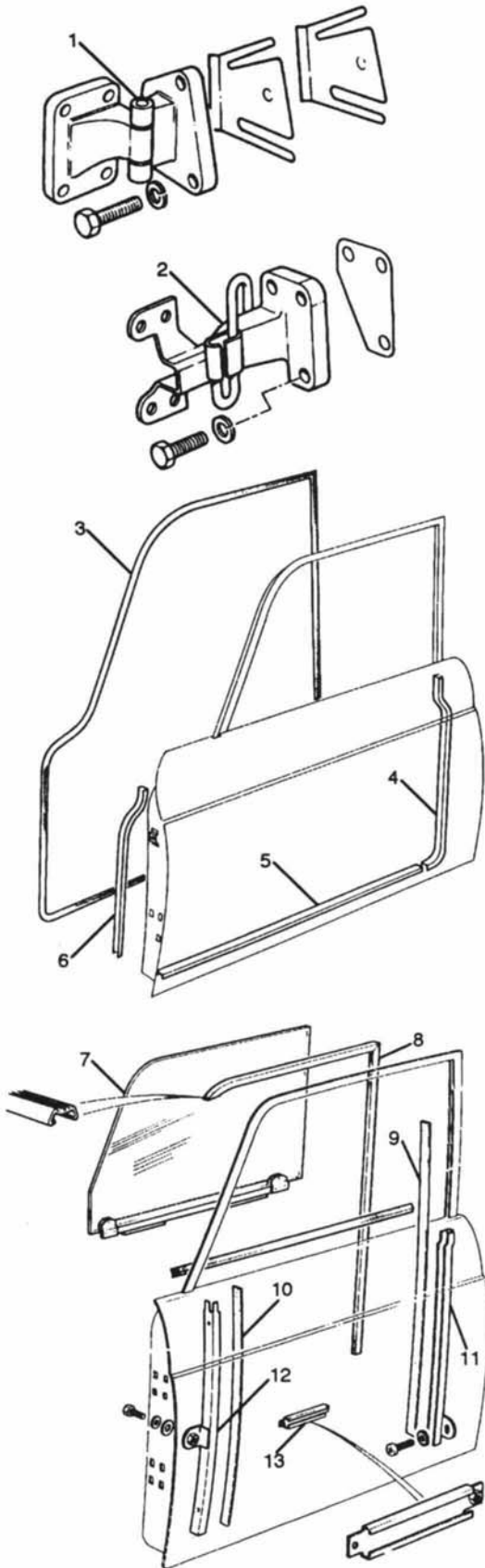
BONNET HARDWARE



#	PART #	DESCRIPTION	QTY. REQ.
1.	RTC-1766	UPPER BONNET STAY BRACKET	1
2.	RTC-1767	LOWER BONNET STAY BRACKET	1
3.	JS-680	BONNET SPRING	2
4.	BD-40718	REINFORCING TUBES	2
5.	BD-48824	HEADER PLATE	1
6.	RTC-649	RH BONNET HINGE	1
6A.	RTC-650	LH BONNET HINGE	1
7.	12179	LOCKING PIN	2
7A.	12180	LOCKING PIN	2
8.	BD-31316	BONNET SAFTEY CATCH	1
9.	12184	RH LOCK BRACKET	1
9A.	12185	LH LOCK BRACKET	1
10.	12526	RH HOOD CATCH	1
10A.	12527	LH HOOD CATCH	1
11.	12525	SPRING	2
12.	HOOD-INSU	HOOD INSULATING KIT	1
13.	BBC-4451	REAR BONNET SEAL	1
14.	BD-44643-1	SIDE BONNET SEAL	1
15.	BBC-4454	FRONT BONNET SEAL	1

BODY FITTINGS

FRONT DOORS



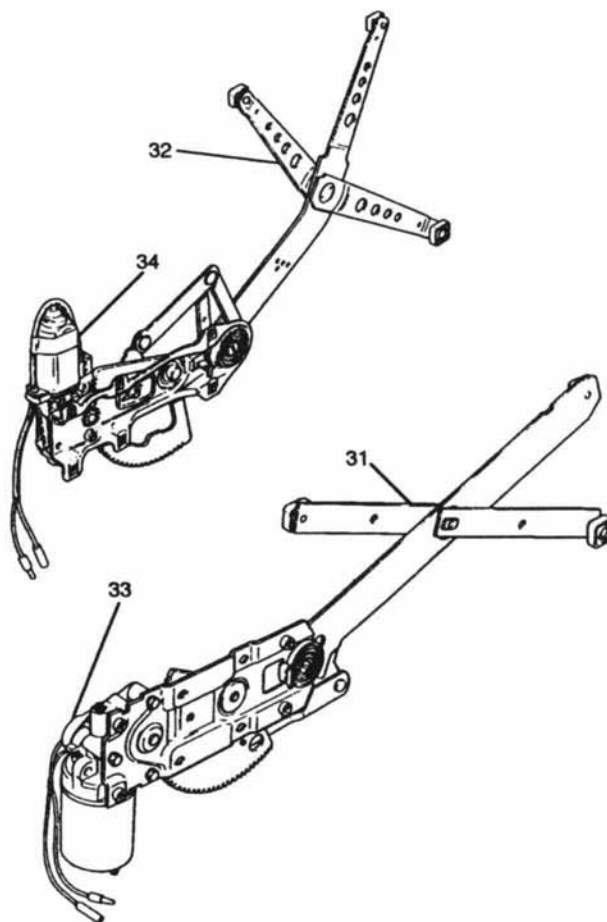
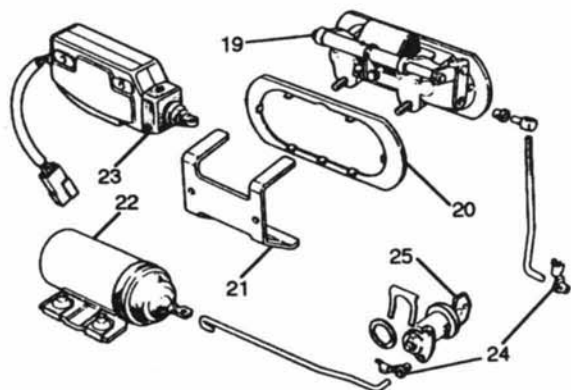
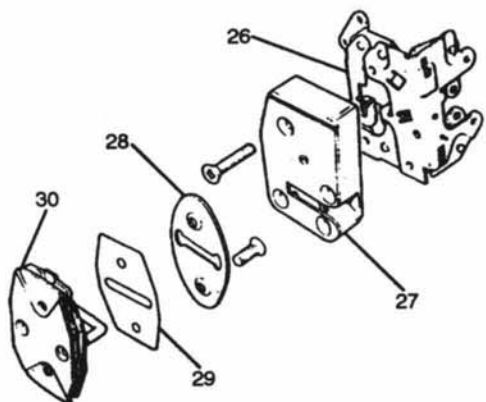
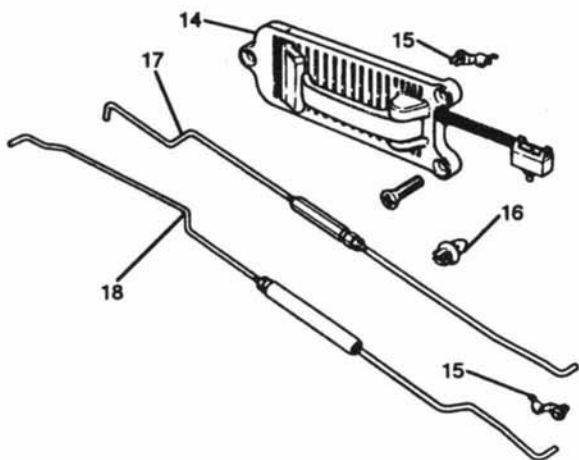
#	PART #	DESCRIPTION	QTY. REQ.
1.	AKP-250	RH UPPER DOOR HINGE	1
1A.	AKP-251	LH UPPER DOOR HINGE	1
2.	AKP-252	RH LOWER DOOR HINGE	1
2A.	AKP-253	LH LOWER DOOR HINGE	1
3.	BAC-1556	RHF DOOR SEAL	1
3A.	BAC-1557	LHF DOOR SEAL	1
4.	AKP-246	RHR SEAL RETAINER	1
4A.	AKP-247	LHR SEAL RETAINER	1
5.	AKP-245	LOWER SEAL RETAINER	2
6.	AKP-242	RHF SEAL RETAINER	1
6A.	AKP-243	LHF SEAL RETAINER	1
7.	BAC-4770	RHF TINTED DOOR GLASS	1
7A.	BAC-4771	LHF TINTED DOOR GLASS	1
8.	BAC-1562	INNER CHANNEL FELT	2
9.	BAC-1723	REAR TACKING SEAL	2
10.	BAC-1722	FRONT TACKING SEAL	2
11.	BAC-1136	RHR WINDOW CHANNEL	1
11A.	BAC-1137	LHR WINDOW CHANNEL	1
12.	BAC-1804	RHF WINDOW CHANNEL	1
12A.	BAC-1805	LHF WINDOW CHANNEL	1
13.	BAC-1782	STAY BRACKET	2
14.	BAC-1466	RH INTERIOR DOOR HANDLE	1
14A.	BAC-1467	LH INTERIOR DOOR HANDLE	1
15.	BD-32396	CLIP	2
16.	BD-44214	DOOR LOCK CLIP	4
17.	BAC-1378	RH OPEN LINK	1
17A.	BAC-1379	LH OPEN LINK	1
18.	BAC-1372	RH LOCKING LINK	1
18A.	BAC-1373	LH LOCKING LINK	1
19.	BAC-3842	RH DOOR HANDLE	1
19A.	BAC-3843	LH DOOR HANDLE	1
20.	BAC-2003	DOOR HANDLE GASKETS	2
21.	BAC-3124	DOOR HANDLE MOUNT BRKT.	2
22.	BD-44216	RH LOCK SOLENOID (LUCAS)	1
22A.	BD-44215	LH LOCK SOLENOID (LUCAS)	1
23.	DAC-3530	RH LOCK SOLENOID (KEIKERT)	1
23A.	DAC-3529	LH LOCK SOLENOID (KEIKERT)	1
24.	BD-44650	LOCK CLIP	2
25.	BAC-1486	RH LOCK ASSEMBLY	1
25A.	BAC-1487	LH LOCK ASSEMBLY	1
26.	BD-43266	RH INNER LOCK	1
26A.	BD-43267	LH INNER LOCK	1

CONTINUED...

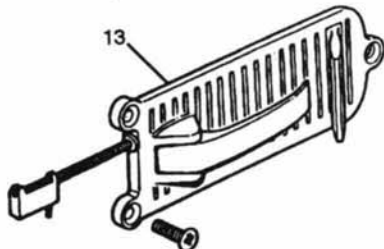
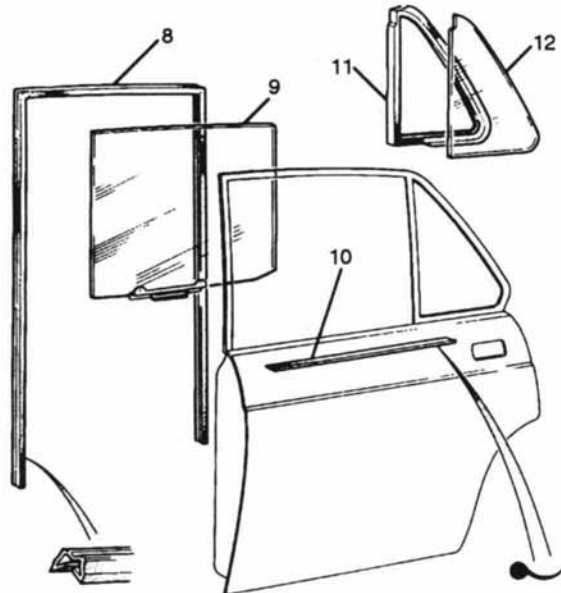
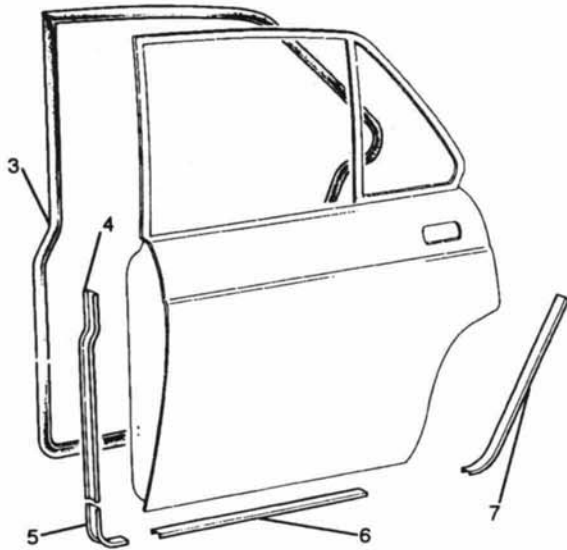
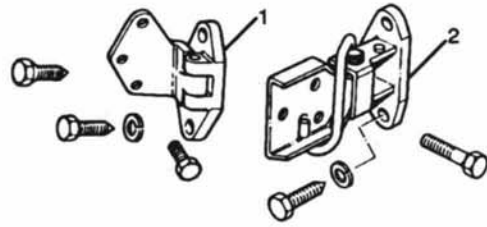
BODY FITTINGS

FRONT DOORS CONTINUED

#	PART #	DESCRIPTION	QTY. REQ.
27.	BD-44652	RHF LOCK PLATE	1
27A.	BD-44653	LHF LOCK PLATE	1
28.	BD-40657	COVER PLATE	2
29.	BD-45974	SHIM	A/R
30.	BD-48128	STRIKER	2
31.	BAC-1054	RHF MOTOR AND REG. (DELCO)	1
31A.	BAC-1055	LHF MOTOR AND REG. (DELCO)	1
32.	BAC-4670	RHF MOTOR AND REG. (BROSE)	1
32A.	BAC-4671	LHF MOTOR AND REG. (BROSE)	1
33.	AEU-1729	RHF MOTOR ONLY (DELCO)	1
33A.	AEU-1728	LHF MOTOR ONLY (DELCO)	1
34.	AEU-3034	RHF MOTOR ONLY (BROSE)	1
34A.	AEU-2726	LHF MOTOR ONLY (BROSE)	1



BODY FITTINGS



REAR DOORS

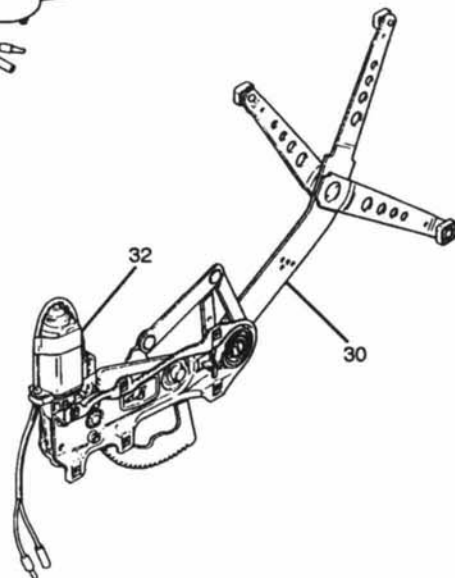
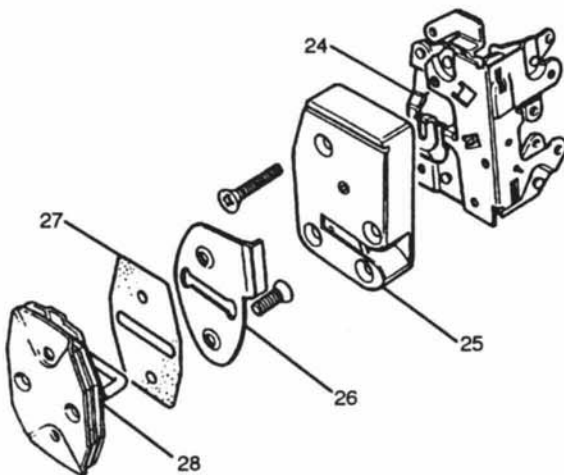
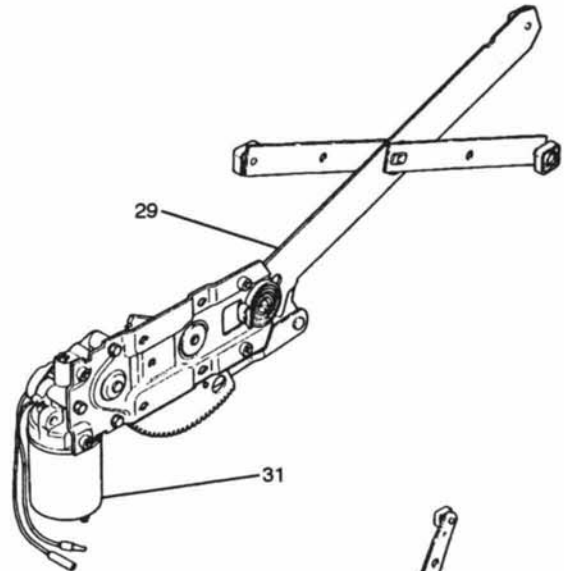
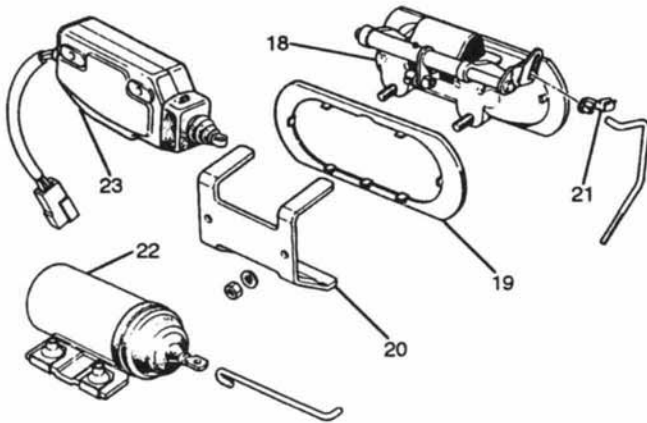
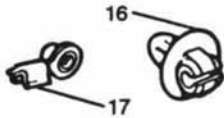
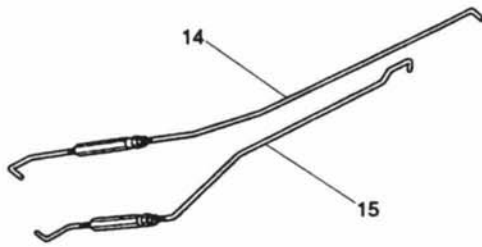
#	PART #	DESCRIPTION	QTY. REQ.
1.	AKP-202	RHR UPPER DOOR HINGE	1
1A.	AKP-203	LHR UPPER DOOR HINGE	1
2.	AKP-200	RHR LOWER DOOR HINGE	1
2A.	AKP-201	LHR LOWER DOOR HINGE	1
3.	BAC-1558	RHR DOOR SEAL	1
3A.	BAC-1559	LHR DOOR SEAL	1
4.	AKP-208	RHR FRONT SEAL RETAINER	1
4A.	AKP-209	LHR FORNT SEAL RETAINER	1
5.	AKP-94	RHR SEAL RETAINER ELBOW	1
5A.	AKP-95	LHR SEAL RETAINER ELBOW	1
6.	JS-612	REAR LOWER SEAL RETAINER	2
7.	AKP-76	RHR REAR SEAL RETAINER	1
7A.	AKP-77	LHR REAR SEAL RETAINER	1
8.	BAC-1563	REAR WINDOW CHANNEL FELT	2
9.	BAC-1086	RHR DOOR GLASS	1
9A.	BAC-1087	LHR DOOR GLASS	1
10.	BD-46440-1	OUTER WINDOW WIPE	2
11.	BAC-1132	RHR QUARTER GLASS SEAL	1
11A.	BAC-1133	LHR QUARTER GLASS SEAL	1
12.	BAC-1126	RHR QUARTER GLASS	1
12A.	BAC-1127	LHR QUARTER GLASS	1
13.	BAC-5174	RHR INTERIOR DOOR HANDLE	1
13A.	BAC-5175	LHR INTERIOR DOOR HANDLE	1
14.	BD-47793	RHR OPEN LINK	1
14A.	BD-47794	LHR OPEN LINK	1
15.	BD-47798	RHR LOCK LINK	1
15A.	BD-47799	LHR LOCK LINK	1
16.	BD-44214	LOCK CLIP	4
17.	BD-44650	LINKAGE CLIP	A/R
18.	BAC-3844	RHR DOOR HANDLE	1
18A.	BAC-3845	LHR DOOR HANDLE	1
19.	BAC-2003	DOOR HANDLE GASKET	2
20.	BAC-3124	DOOR HANDLE MOUNT BRACKET	2
21.	BD-44650	CLIP	A/R
22.	BD-44216	RH LOCK SOLENOID (LUCAS)	1
22A.	BD-44215	LH LOCK SOLENOID (LUCAS)	1
23.	DAC-3530	LOCK SOLENOID (KIEKERT)	2
24.	BAC-1400	RHR INNER LOCK	1
24A.	BAC-1401	LHR INNER LOCK	1
25.	BD-44652	RHR LOCK PLATE	1
25A.	BD-44653	LHR LOCK PLATE	1
26.	BD-48647	RHR STRIKER PLATE	1
26A.	BD-48648	LHR STRIKER PLATE	1

CONTINUED...

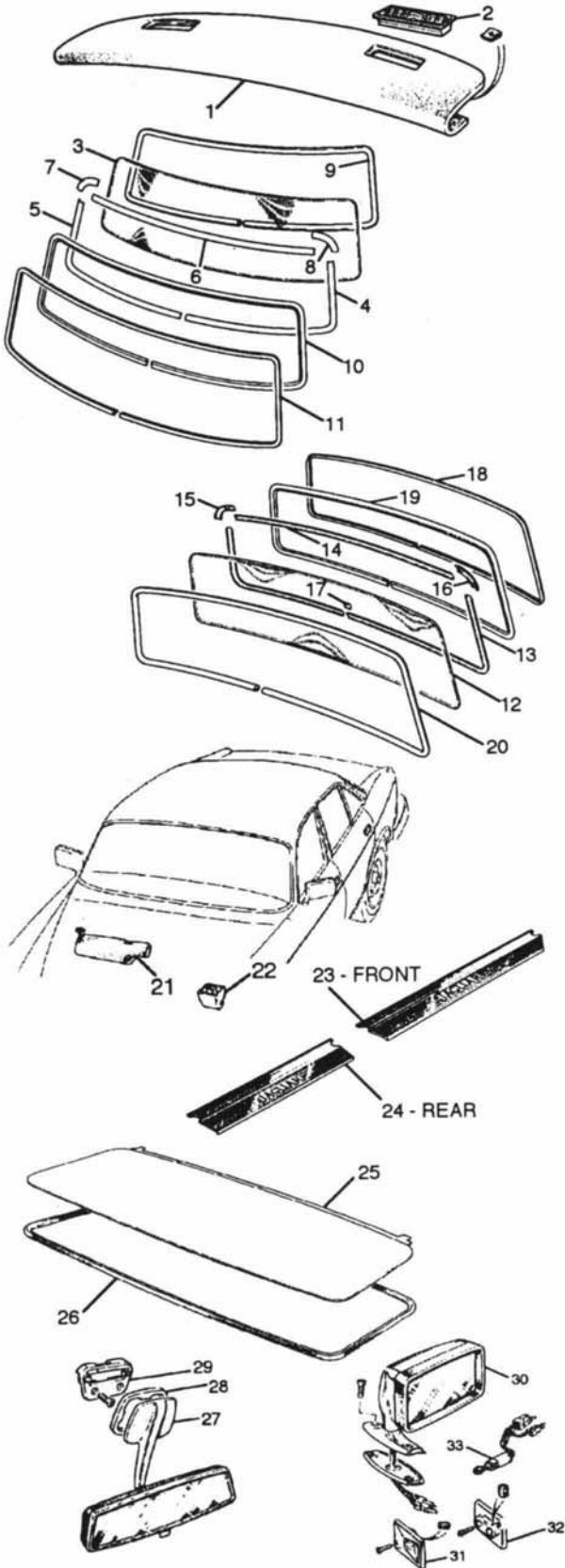
BODY FITTINGS

REAR DOORS CONTINUED

#	PART #	DESCRIPTION	QTY. REQ.
27.	BD-45974	STRIKER SHIM	A/R
28.	BD-48128	DOOR STRIKER	2
29.	BAC-3214	RHR MOTOR AND REGULATOR	1
29A.	BAC-3215	LHR MOTOR AND REGULATOR	1
30.	BAC-4672	RHR MOTOR & REG. (BROSE)	1
30A.	BAC-4673	LHR MOTOR & REG. (BROSE)	1
31.	AEU-1728	RHR MOTOR ONLY (DELCO)	1
31A.	AEU-1729	LHR MOTOR ONLY (DELCO)	1
32.	AEU-2725	RHR MOTOR ONLY (BROSE)	1
32A.	AEU-3035	LHR MOTOR ONLY (BROSE)	1



BODY FITTINGS



COCKPIT AREA FITTINGS

#	PART #	DESCRIPTION	QTY. REQ.
1.	BAC-2454	DASH TOP ASSEMBLY	1
2.	BD-46163	DEFROSTER VENT	2
3.	FCW-414	WINDSHIELD	1
4.	BAC-1027	LH WINDSHIELD CHROME TRIM	1
5.	BAC-1026	RH WINDSHIELD CHROME TRIM	1
6.	BAC-1028	UPPER WINDSHIELD TRIM	1
7.	BAC-2150	RH CHROME JOINER CLIP	1
8.	BAC-2151	LH CHROME JOINER CLIP	1
9.	* BAC-1977	BASE WINDSHIELD SEAL	1
10.	* BAC-4794	MAIN WINDSHIELD SEAL	1
11.	* BBC-5889	WINDSHIELD SEAL INSERT	1
	BAC-1977-K	WINDSHIELD SEAL SET	1
	* INCLUDED IN WINDSHIELD SEAL SET #BAC-1977-K		
12.	BAC-3183	BACK GLASS	1
13.	BAC-1693	BACK GLASS CHROME, LH LWR.	1
13A.	BAC-1692	BACK GLASS CHROME RH LWR.	1
14.	BAC-1694	BACK GLASS TOP CHROME	1
15.	BAC-1696	RH TOP JOINER CLIP	1
16.	BAC-1697	LH TOP JOINER CLIP	1
17.	BAC-1698	JOINER CLIP	1
18.	** BBC-5889	BACK GLASS SEAL INSERT	1
19.	** BAC-4794	BACK GLASS MAIN SEAL	1
20.	** BAC-2288	BACK GLASS SEAL	1
	BAC-2288-K	BACK GLASS SEAL SET	1
	** INCLUDED IN BACK GLASS SEAL SET #BAC-2288-K		
21.	BAC-4546	RH SUNVISOR	1
21A.	BAC-4547	LH SUNVISOR	1
22.	BD-47987	SUNVISOR CLIP	2
23.	BD-37816	RHF TREAD PLATE	1
23A.	BD-37817	LHF TREAD PLATE	1
24.	BD-40804	RHR TREAD PLATE	1
24A.	BD-40805	LHR TREAD PLATE	1
25.	AKP-465	SUNROOF PANEL	1
26.	JLM-849	SUNROOF SEAL	1
27.	BCC-4090	INTERIOR MIRROR	1
28.	BAC-4988	INTERIOR MIRROR SPACER	1
29.	BAC-4633	INT. MIRROR MOUNT BRACKET	1
30.	BBC-4952	RH ELECTRIC DOOR MIRROR	1
30A.	BBC-4953	LH ELECTRIC DOOR MIRROR	1
31.	BAC-2270	RH SWITCH MOUNT PLATE	1
32.	BAC-3075	LH SWITCH MOUNT PLATE	1
33.	DAC-2649	ELECTRIC MIRROR SWITCH	2

BODY FITTINGS

BOOT AREA

#	PART #	DESCRIPTION	QTY. REQ.
1.	BD-44216	BOOT LOCK SOLENOID (LUCAS)	1
2.	DAC-3530	BOOT LOCK SOLENOID (KIEKERT)	1
3.	BBC-3283	BOOT LOCK ASSEMBLY	1
4.	BAC-1071	BOOT LOCK LEVER	1
5.	BD-31101	BOOT LOCK LATCH ASSEMBLY	1
6.	BD-31103	BOOT LATCH RECEIVER	1
7.	BBC-4441	BOOT SEAL	1
8.	BAC-3823	REAR BOOT FINISHER	1

